



UNICEL | Defining the
ARCHITECTURAL | Space Within®

INSTALLATION GUIDE

**ALUMINUM SKYLIGHT
VISION 700S**

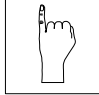
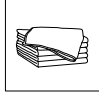
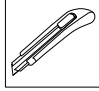
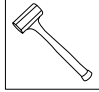
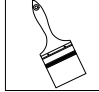
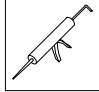
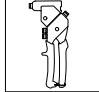
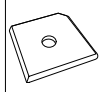


May 2025



TABLE OF CONTENTS:

PAGE 1	INSTALLING CONNECTORS
PAGE 2	ASSEMBLING MULLIONS
PAGE 3	SECURING MEMBRANE SUPPORTS
PAGE 4	INSTALLING MEMBRANES
PAGE 5	INSTALLING PLASTIC SUPPORT STRIPS
PAGE 6	INSTALLING GLAZING BRACKETS AND GLASS UNITS
PAGE 7	INSTALLING TEMPORARY PRESSURE PLATES
PAGE 8	INSTALLING RIGID INSULATION
PAGE 9	INSTALLING EXTERIOR FINISH
PAGE 10	APPLYING FINISHING SEALANTS
PAGE 11	APPENDIX 1 : SILICONE SEALANT AND
PAGE 12	COVERS

LEGEND OF REQUIRED TOOLS:

	: REQUIRED USE OF A FINGER
	: CLOTHS
	: RETRACTABLE UTILITY KNIFE
	: RUBBER Mallet
	: BRUSH
	: CAULKING GUN
	: RIVET GUN
	: SILICONE SEALANT APPLICATOR
	: IMPACT DRIVER
	: VACUUM CUP GLASS LIFTER

INSTALLING CONNECTORS

ALUMINUM SKYLIGHT:

SKYLIGHTS ARE DELIVERED TO BUILDING SITES IN PRE-ASSEMBLED SECTIONS OR AS SEPERATE PARTS. TO FACILITATE TRANSPORTATION, A FACADE CAN CONSIST OF MULTIPLE SECTIONS. CERTAIN CONNECTORS MAY BE SECURED TO THE MULLIONS TO SIMPLIFY INSTALLATION ON SITE. TO COMPLETE THE ASSEMBLY PROCESS, INSERT THE REMAINING MULLIONS BETWEEN THE PRE-SEEMBLED SECTIONS.

CONSULT THE SHOP DRAWINGS FOR GUIDANCE ON THE PLACEMENT AND NUMBERING OF MULLIONS AND CONNECTORS.

ON-SITE ASSEMBLY:

1. POSITIONING THE CONNECTORS
CONSULT SHOP DRAWINGS TO AVOID INCOMPATIBLE MATERIALS. MAKE SURE TO ADD A DIELECTRIC STRIP.
2. SECURING THE MULLIONS TO THE CONNECTORS
USE THE PROVIDED HARDWARE (REINFORCEMENT TUBE, NUTS, WASHER, AND LOCK WASHER) TO MOUNT THE VERTICAL MULLION SECURELY IN ITS DESIGNATED CONNECTOR, ALIGNING IT ACCORDING TO THE POSITION AND PITCH ANGLE INDICATED IN THE SHOP DRAWINGS. INSERT THE REINFORCEMENT TUBE INTO THE MULLION BEFORE SECURING THE ANCHOR BOLT.

POSITIONING THE CONNECTORS:

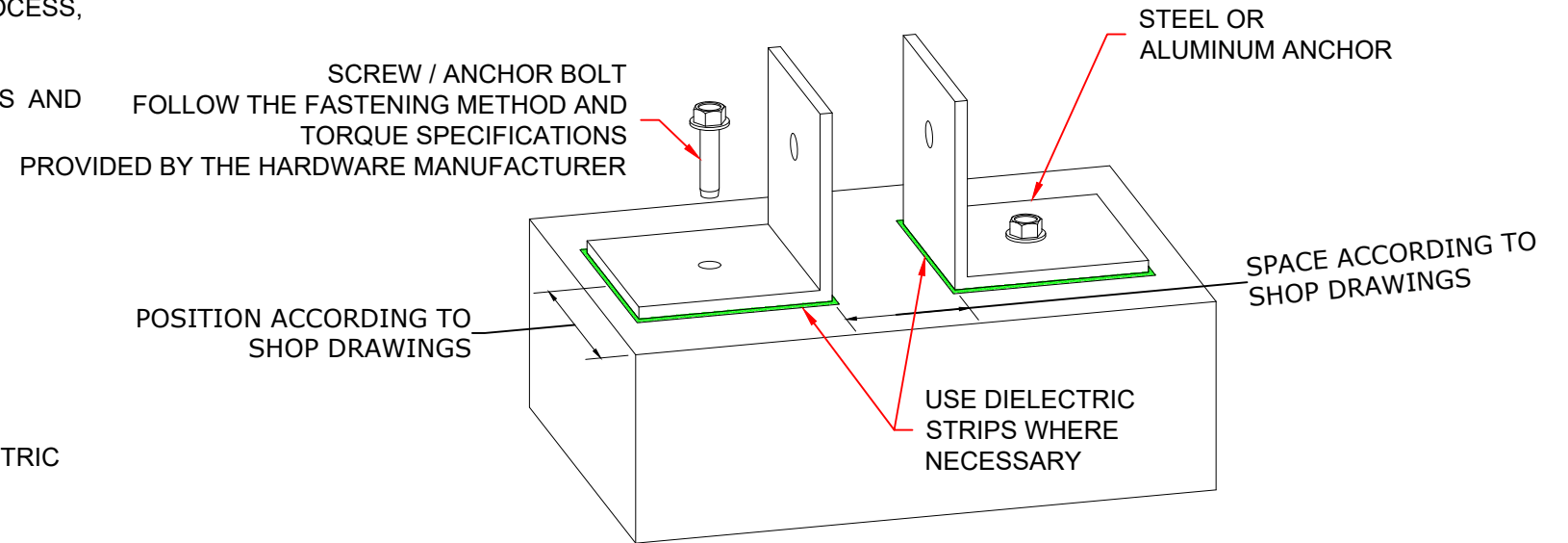


FIGURE 1: STANDARD SKYLIGHT CONNECTOR. REFER TO THE SHOP DRAWING FOR PARTICULARS

SECURING THE MULLIONS TO THE CONNECTORS:

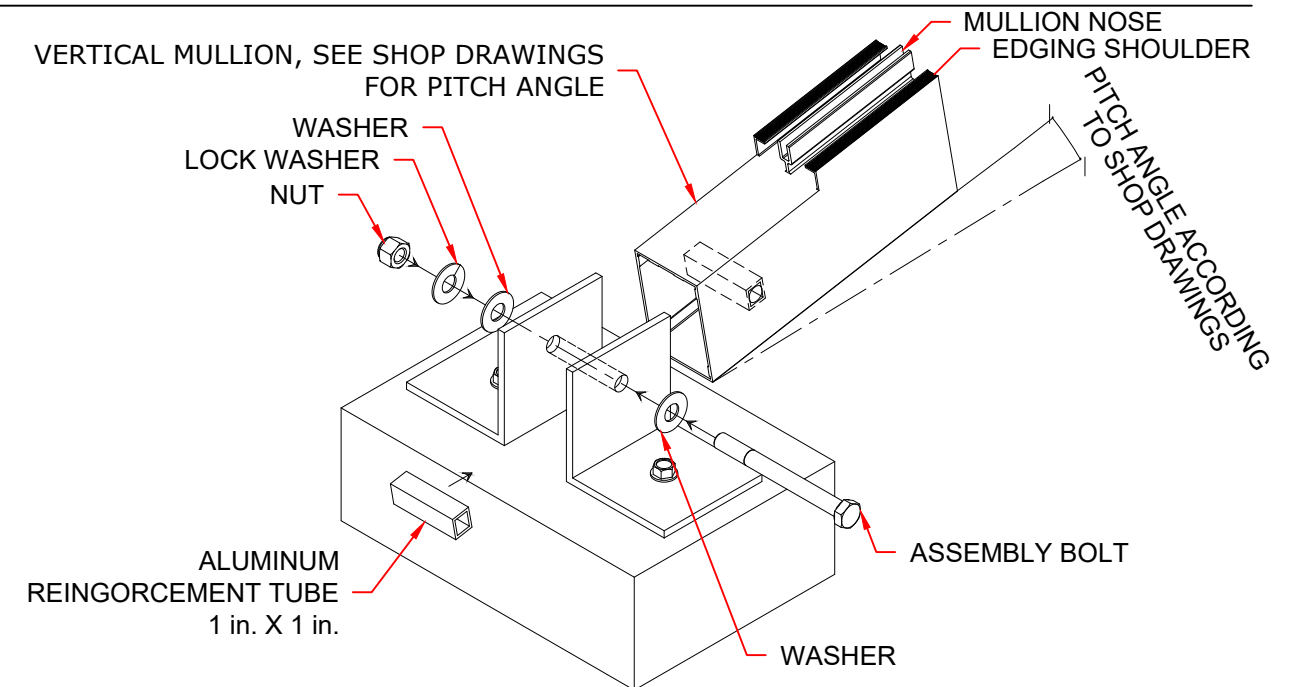
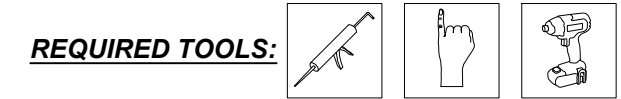


FIGURE 2: FITTING A MULLION INTO A CONNECTOR

ASSEMBLING MULLIONS



INSTRUCTIONS:

CONNECT THE HORIZONTAL MULLION WITH THE VERTICAL MULLIONS. APPLY SILICONE TO THE JOINT WHERE THE HORIZONTAL AND VERTICAL MULLIONS MEETS, AS ILLUSTRATED IN THE STEPS BELOW. AFTER POSITIONING THE HORIZONTAL MULLION, FASTEN IT TO THE VERTICAL MULLIONS USING SCREWS THROUGH THE DESIGNATED HOLES. SEAL MECHANICAL JOINTS WITH A SILICONE SEALANT SUCH AS DOW CORNING® CWS OR AN APPROVED ALTERNATIVE.

IMPORTANT:

THE CONTRACTOR MUST FOLLOW THE OUTLINED PROCEDURES AND APPLY THE SILICONE IN ACCORDANCE WITH THE MANUFACTURER'S GUIDELINES.

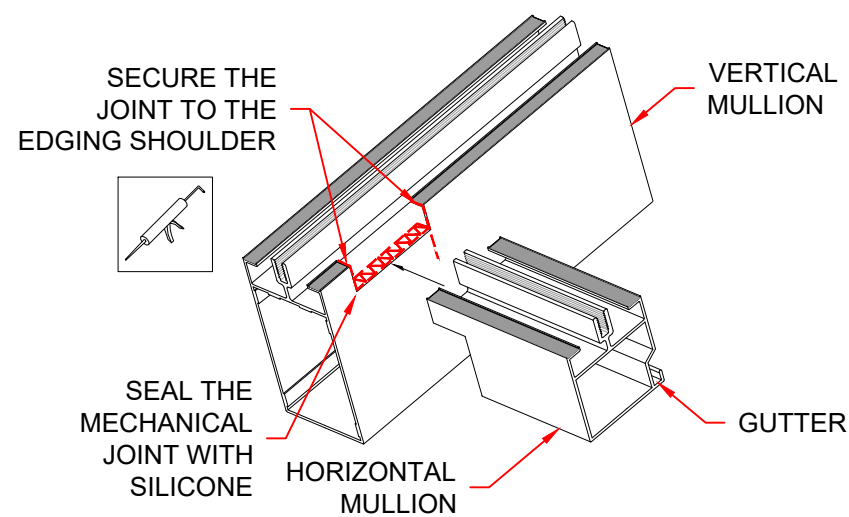


FIGURE 3: SEE DESCRIPTION OF STEP 1

STEP 1:

USE SILICONE TO SEAL THE POINTS WHERE THE VERTICAL AND HORIZONTAL MULLIONS MEET ON THE ALUMINUM SECTIONS. ENSURE SILICONE IS APPLIED TO THE EDGING SHOULDER.

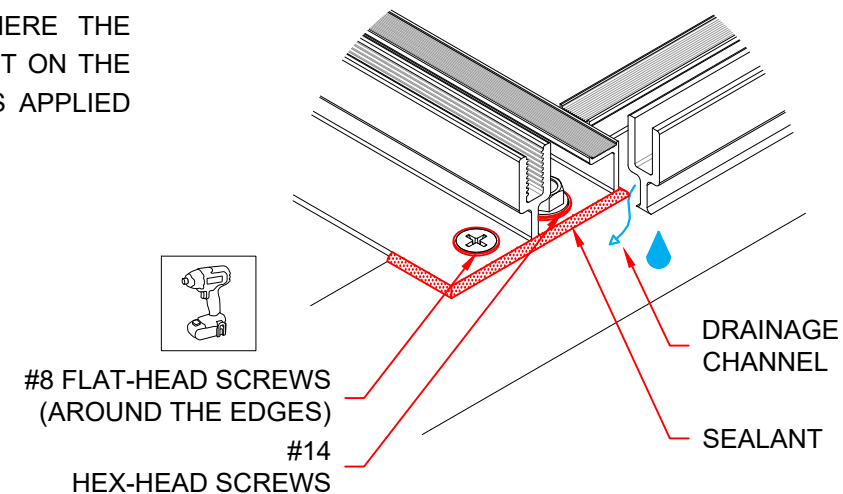


FIGURE 4: SEE DESCRIPTION OF STEP 2

STEP 2:

SECURE THE MULLIONS USING THE SCREWS PROVIDED. ENSURE THAT THE SILICONE FORMS AN UNBROKEN SEAL WHERE THE SECTIONS INTERSECT. **MAKE SURE YOU DO NOT BLOCK THE DRAINAGE CHANNEL.** USE #8 FLAT-HEAD SCREWS AROUND THE EDGES OF THE SKYLIGHT AND #14 HEX-HEAD SCREWS EVERYWHERE ELSE.

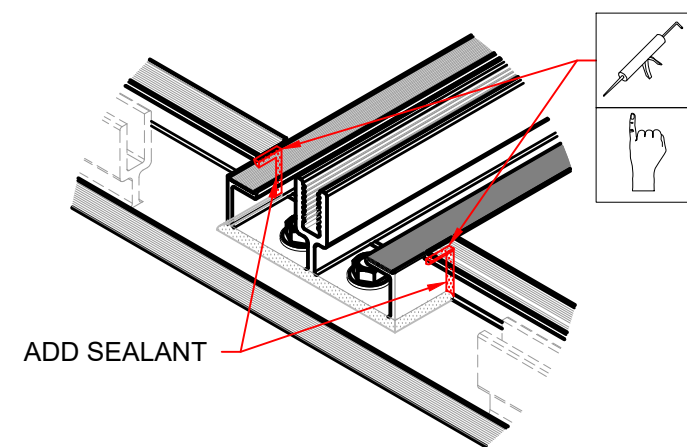


FIGURE 5: SEE DESCRIPTION OF STEP 3

STEP 3:

APPLY SEALANT ALONG THE JOINTS WHERE THE EDGING SHOULDERS MEET THE HORIZONTAL AND VERTICAL MULLIONS. USE A FINGER DAMPENED WITH SOAPY WATER TO SMOOTH OUT THE JOINT.

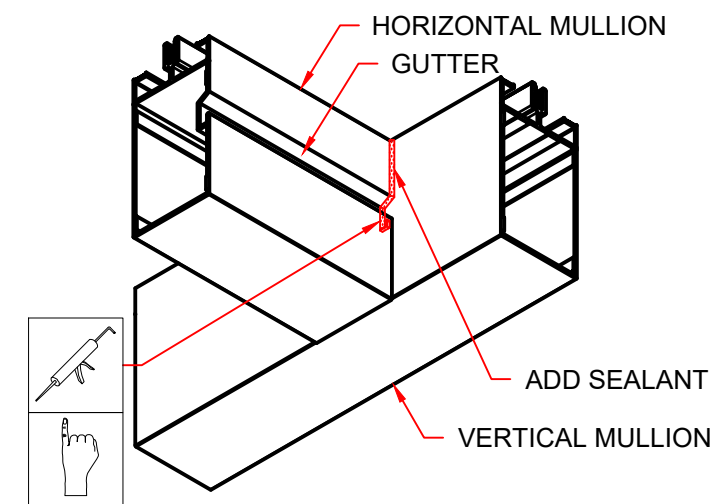


FIGURE 6: SEE DESCRIPTION OF STEP 4

STEP 4:

APPLY SILICONE TO THE JOINT WHERE THE HORIZONTAL AND VERTICAL MULLIONS MEET ON THE UPPER SECTIONS. **MAKE SURE TO APPLY THE SEALANT INSIDE THE GUTTER** AND USE A FINGER DAMPENED WITH SOAPY WATER TO SHAPE AND SMOOTH OUT THE JOINT FROM INSIDE THE GUTTER.

SECURING MEMBRANE SUPPORTS

INSTRUCTIONS:

*FOR PYRAMID SKYLIGHTS, SEE APPENDIX 1

REQUIRED TOOLS:



1. SECURE THE MEMBRANE SUPPORTS TO BOTH THE VERTICAL AND HORIZONTAL MULLIONS USING POP RIVETS AT THE SKYLIGHT'S EDGE.

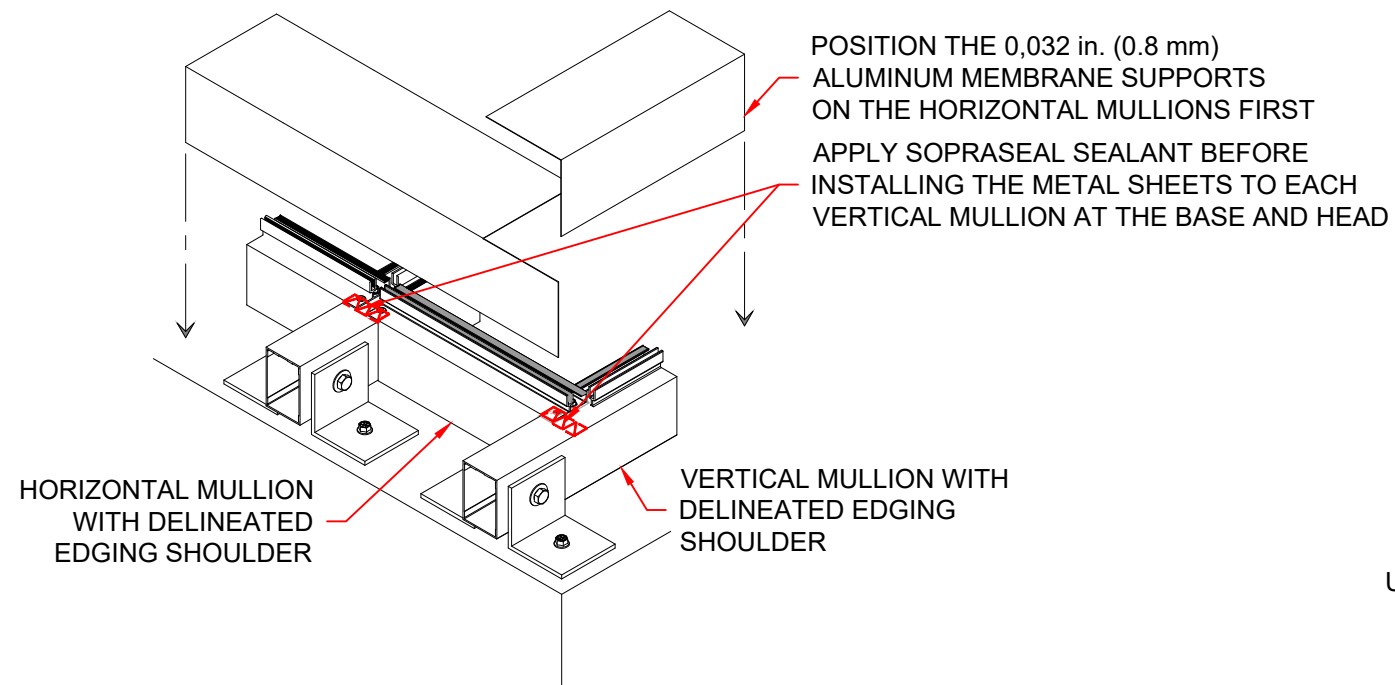


FIGURE 7: FITTING MEMBRANE SUPPORTS

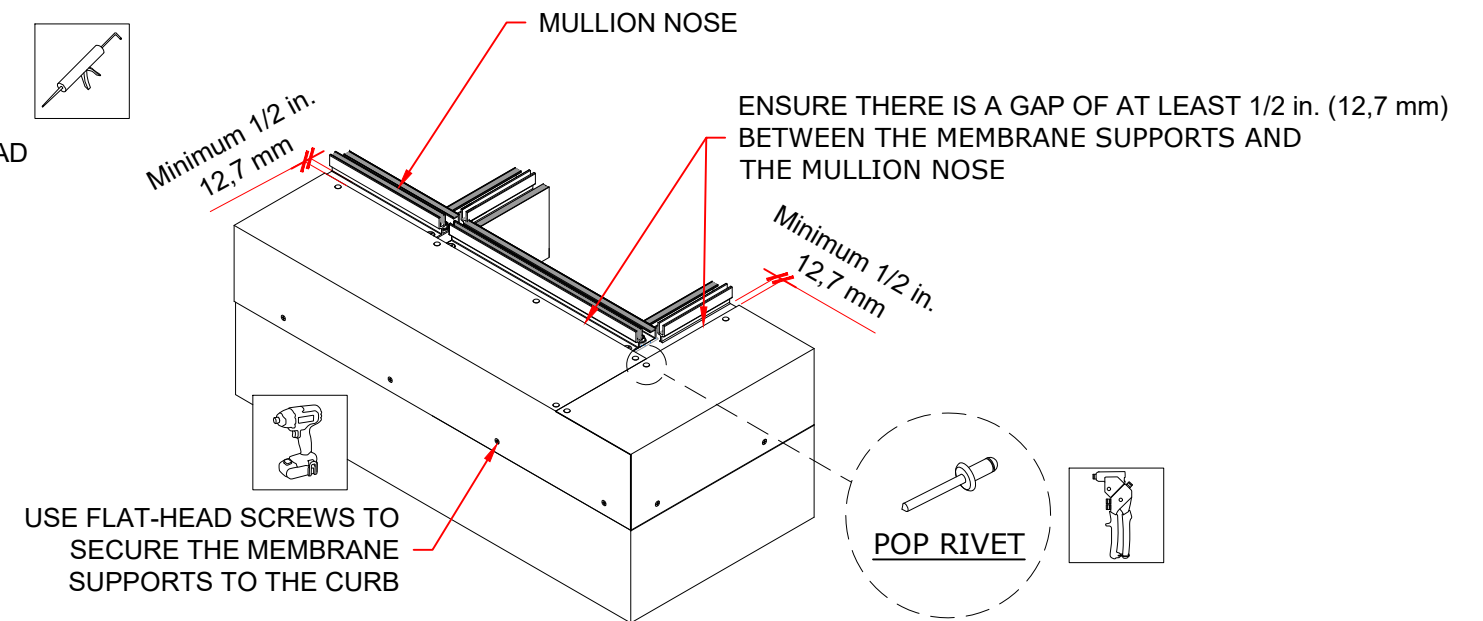


FIGURE 8: SECURING MEMBRANE SUPPORTS

INSTALLING MEMBRANES

INSTRUCTIONS:

1. BEFORE APPLYING THE SEALING MEMBRANE, MAKE SURE TO APPLY A PRIMER ON THE MEMBRANE SUPPORTS. THIS WILL HELP THE MEMBRANE ADHERE BETTER.
2. WHEN INSTALLING THE SEALING MEMBRANE, BE CAREFUL NOT TO PUNCTURE OR RIP IT. ALWAYS FOLLOW THE INSTRUCTIONS PROVIDED BY THE MEMBRANE MANUFACTURER. THE MEMBRANE SHOULD **TOUCH THE MULLIONS BY AT LEAST 1/4 in.** TO PROMOTE STRONG ADHESION AND ENSURE WATERPROOFING.
3. USE JOINT FILLER TO GUARANTEE A TIGHT SEAL.

NOTE:

IT IS THE CONTRACTOR'S RESPONSIBILITY TO CORRECTLY INSTALL THE MEMBRANES AND TO FOLLOW THE OVERLAPPING INSTRUCTIONS PROVIDED BY THE MEMBRANE MANUFACTURER.

REQUIRED TOOLS:

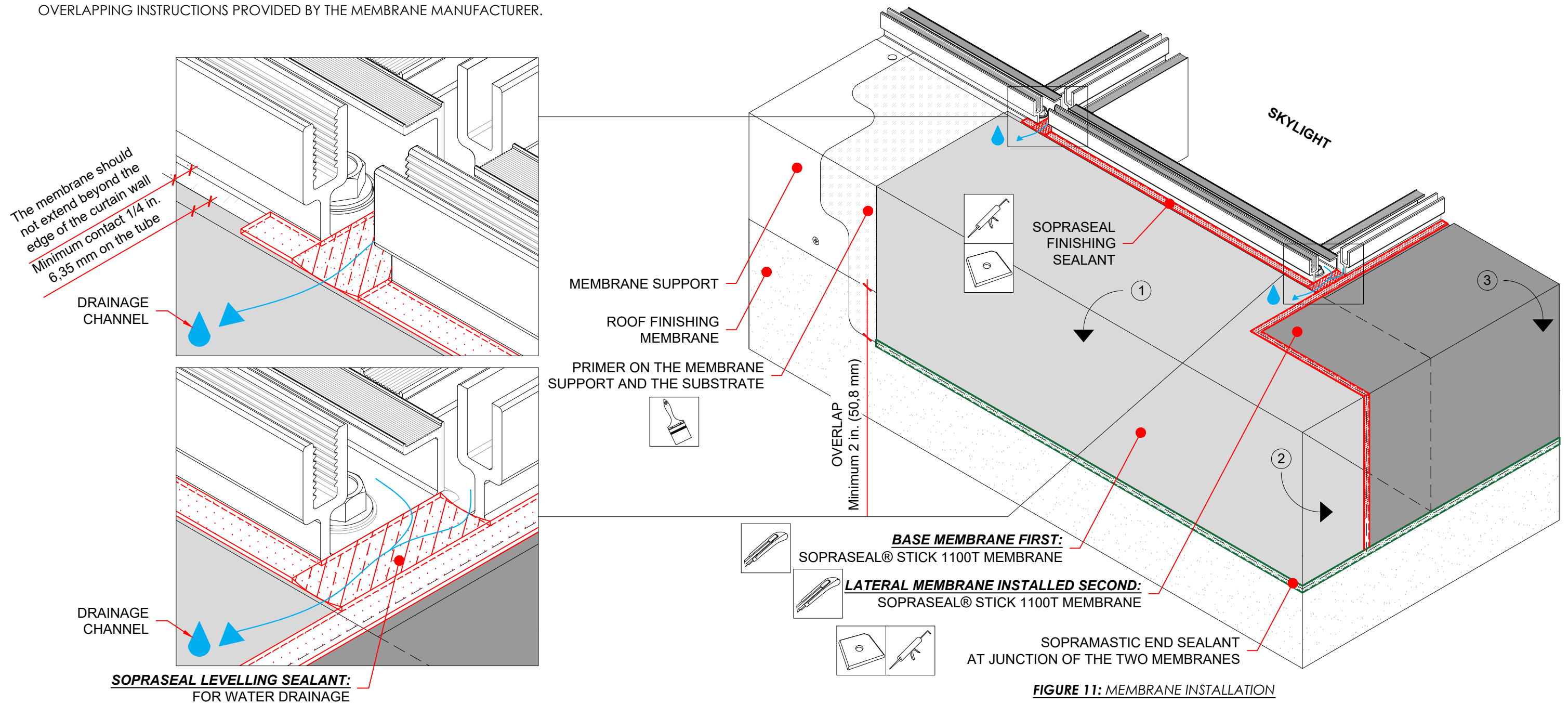
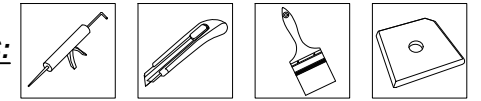


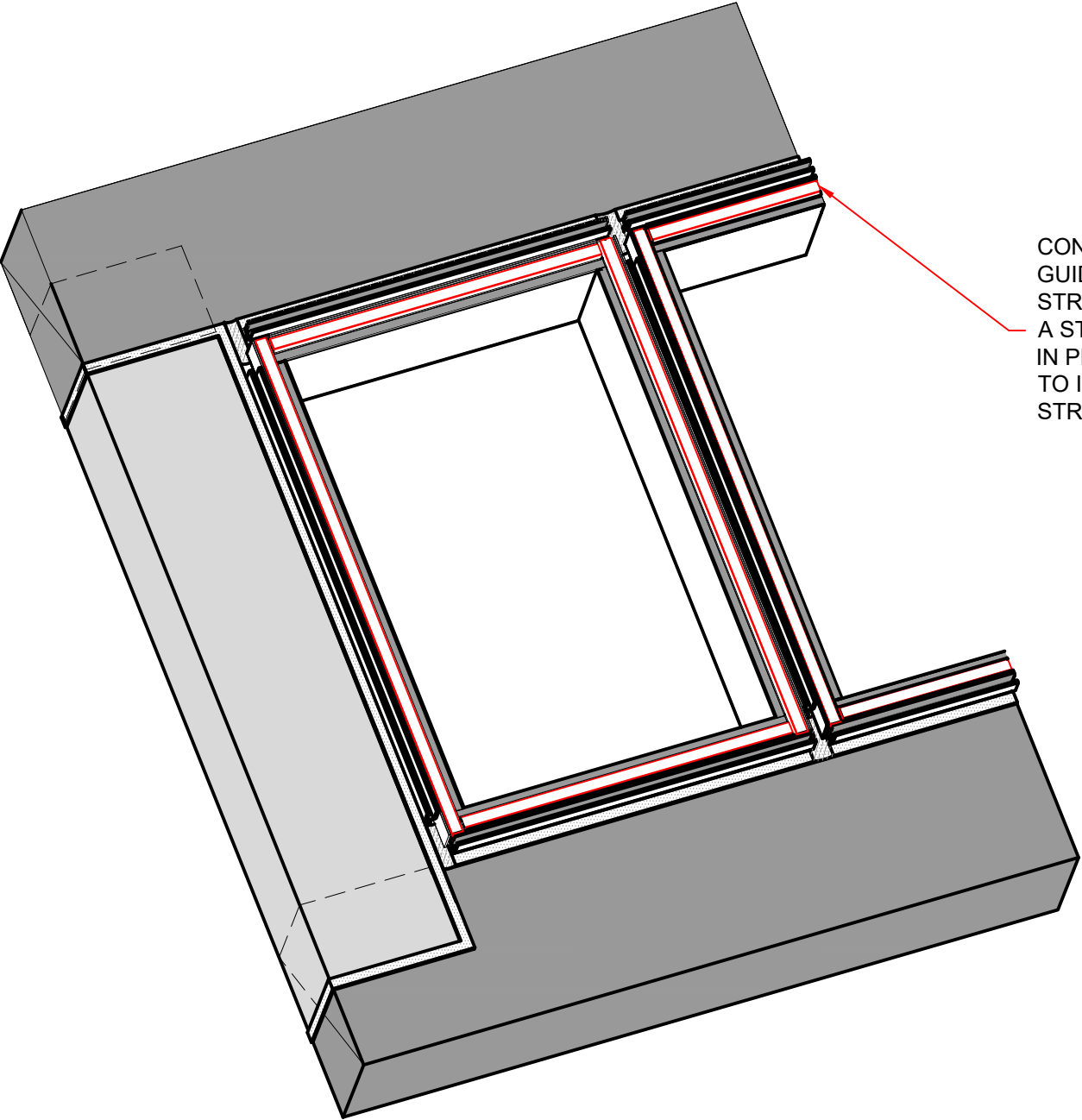
FIGURE 11: MEMBRANE INSTALLATION

INSTALLING PLASTIC SUPPORT STRIPS:

REQUIRED TOOLS: 

INSTRUCTIONS:

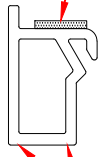
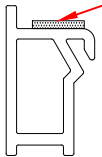
- 1. INSTALL THE PLASTIC SUPPORT STRIPS IN THE RECESSES OF THE EDGING SHOULDERS USING A RUBBER Mallet.



CONSULT THE APPROVED SHOP DRAWINGS FOR GUIDANCE ON HOW TO INSERT THE PLASTIC SUPPORT STRIPS ON THE MULLIONS. A STRIP OF DOUBLE-SIDED TAPE SHOULD ALREADY BE IN PLACE ON THE PLASTIC SUPPORT STRIP IN ORDER TO INSTALL THE GLASS. SHOULD ANY OF THE TAPE STRIPS BE DAMAGED, PLEASE REPLACE THEM.



DO NOT REMOVE THE PROTECTIVE PAPER ON THE DOUBLE-SIDED TAPE UNTIL THE GLASS IS INSTALLED



DELINEATED

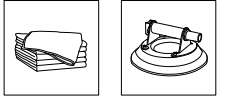
**MULLION
PLASTIC
SUPPORT
STRIPS**

**GUTTER PLASTIC
SUPPORT STRIPS**

FIGURE 12: INSTALLING PLASTIC SUPPORT STRIPS

INSTALLING GLAZING BRACKETS AND GLASS UNITS

REQUIRED TOOLS:



INSTRUCTIONS:

1. INSTALL 2 GLAZING BRACKETS AS SHOWN IN THE SHOP DRAWINGS, MAKING SURE THEY ARE CENTERED AND POSITIONED AT A DISTANCE EQUAL TO 1/4 OF THE LENGTH OF THE HORIZONTAL MULLION, UNLESS OTHERWISE SPECIFIED IN THE SHOP DRAWINGS.
2. BEFORE INSTALLING THE GLASS UNITS IN THEIR DESIGNATED SPACES, USE THE "TWO CLOTH" CLEANING METHOD TO THOROUGHLY CLEAN THE GLASS. THESE SHOULD BE CLEAN, SOFT, ABSORBENT AND ALL TRACES OF DIRT HAVE BEEN REMOVED. THEN, USE A FRESH, DRY CLOTH TO REMOVE ANY MOISTURE FROM THE CLEANED SURFACE. REPEAT THESE STEPS AS MANY TIMES AS NEEDED TO ENSURE THAT THE DOUBLE-SIDED TAPE ADHERES PROPERLY.
3. REMOVE THE PROTECTIVE PAPER FROM THE DOUBLE-SIDED TAPE AND INSTALL THE THERMAL INSULATION WINDOW.

IMPORTANT:

HANDLE THE THERMAL INSULATION WINDOWS WITH CARE AND CONSIDER USING A VACUUM CUP GLASS LIFTER OR CRANE DURING INSTALLATION.

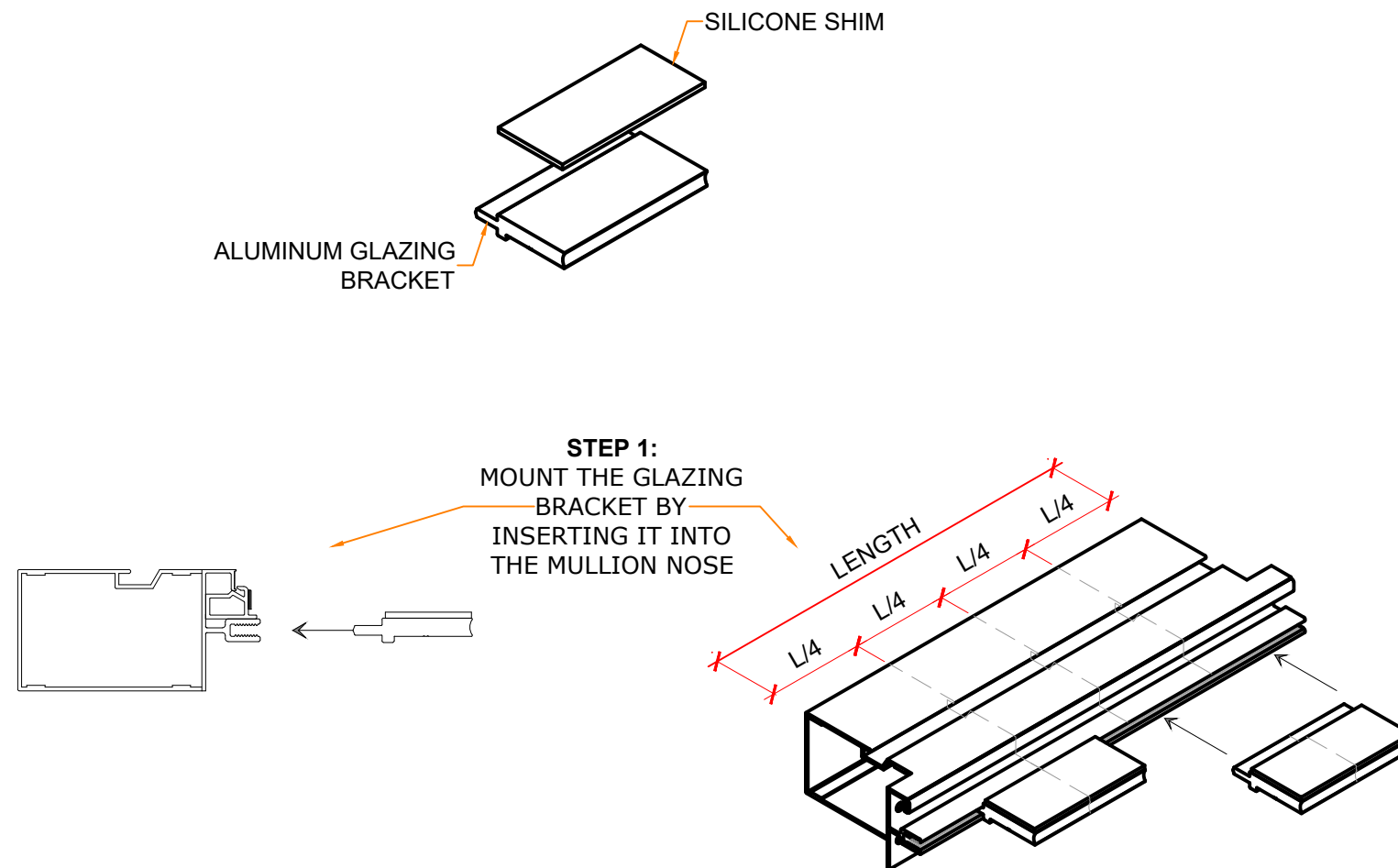


FIGURE 13: GLAZING BRACKETS

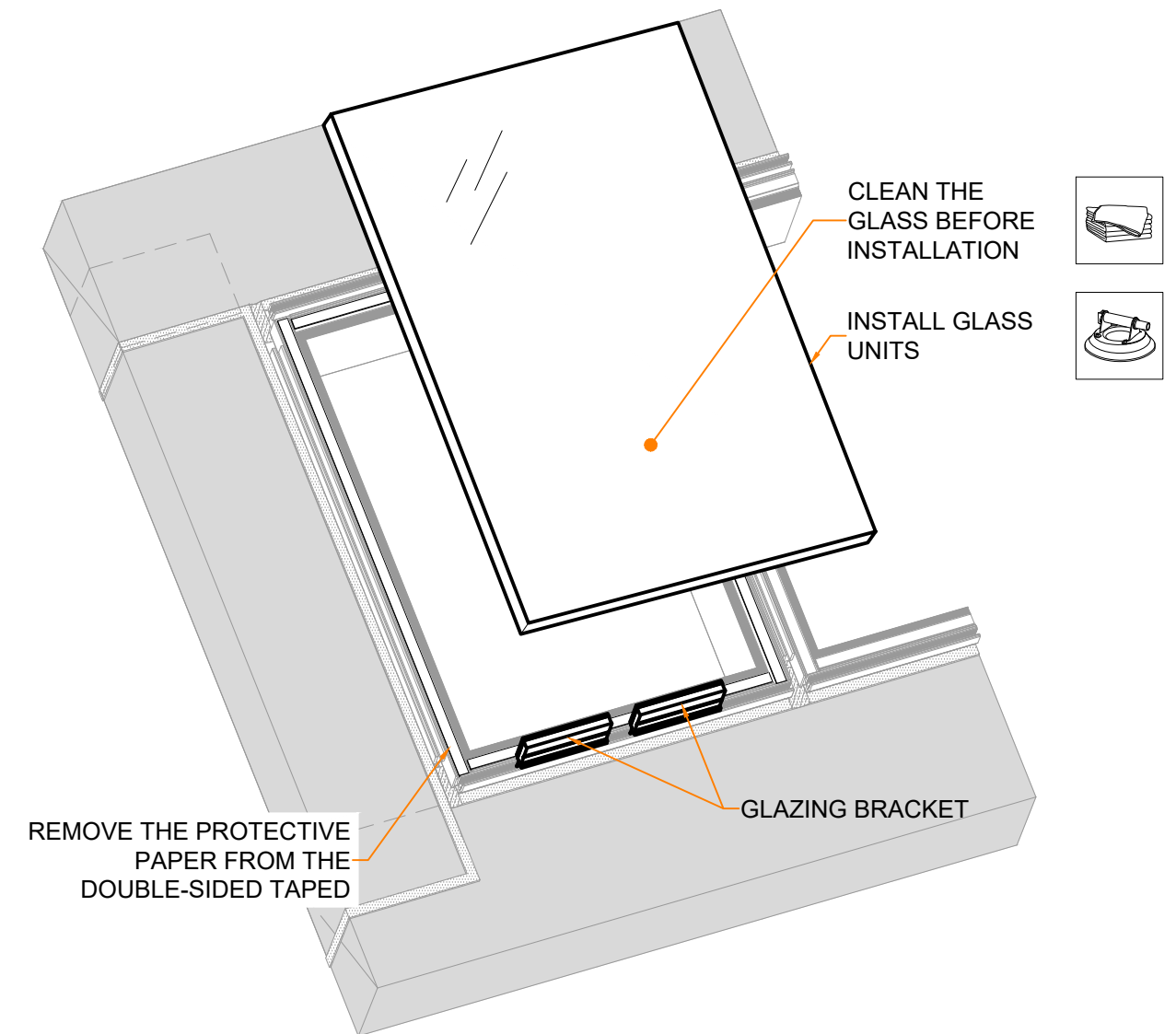
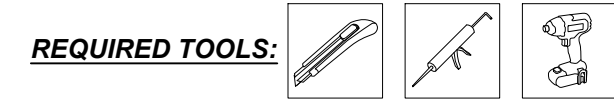


FIGURE 14: INSTALLING GLASS UNITS

INSTALLING TEMPORARY PRESSURE PLATES



INSTRUCTIONS:

1. PLACE RIGID INSULATION STRIPS ALONG THE EDGES OF THE GLASS TO GUARANTEE THE PROPER ALIGNMENT OF TEMPORARY PRESSURE PLATES DURING INSTALLATION. CREATE WATER DRAINAGE CHANNELS OPPOSITE TO EACH VERTICAL MULLION.
2. INSTALL RIGID INSULATION AT THE SKYLIGHT RIDGE ACCORDING TO THE DETAILS PROVIDED IN THE SHOP DRAWINGS.
3. ATTACH THE TEMPORARY PRESSURE PLATES TO THE EDGES OF THE GLASS UNITS USING SCREWS TO SECURE THEM. APPLY THE STRUCTURAL SILICONE SEALANT TO THE PLASTICS AND WAIT FOR IT TO HARDEN BEFORE CONTINUING WITH THE INSTALLATION. ALWAYS FOLLOW THE INSTRUCTIONS PROVIDED BY THE SEALANT MANUFACTURER REGARDING THE CURING PROCESS.

IMPORTANT:

THE GLAZIER MUST ENSURE THAT THE THERMAL INSULATION WINDOWS ARE FIRMLY SECURED UNTIL THE PERMANENT PRESSURE PLATES ARE INSTALLED. DO NOT RELY SOLELY ON THE NUMBER OF TEMPORARY PRESSURE PLATES DEPICTED.

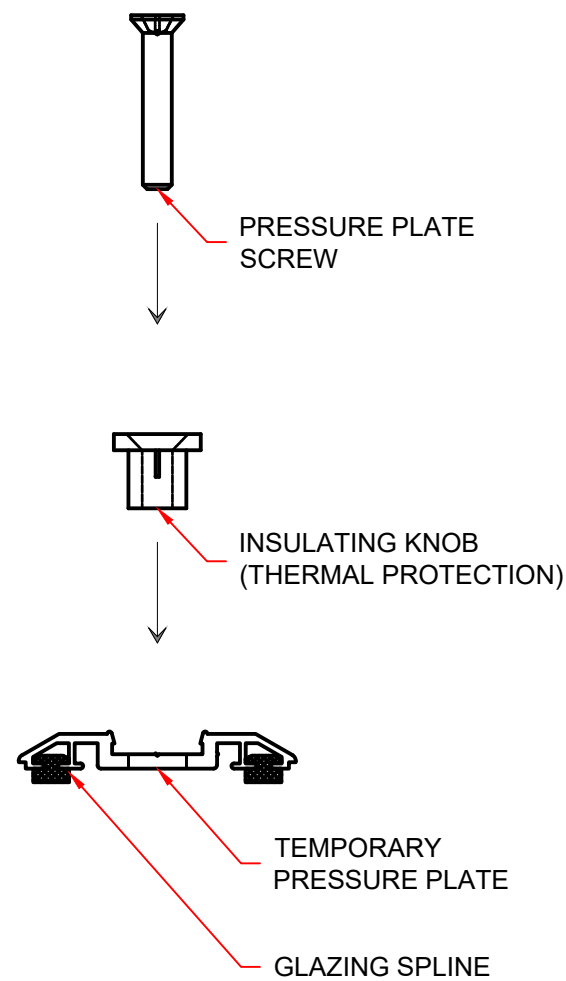


FIGURE 15: LIST OF TEMPORARY PRESSURE PLATE PARTS

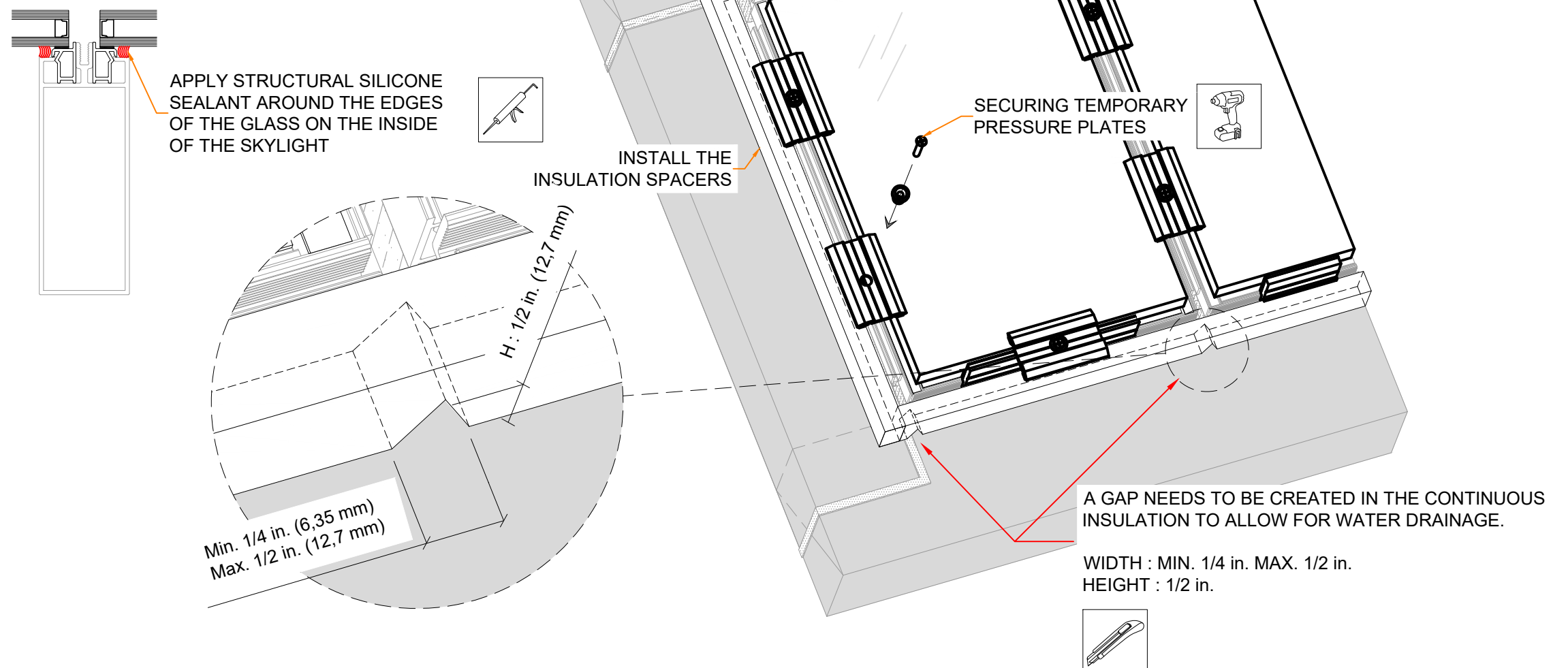


FIGURE 16: TEMPORARY FASTENING OF SEALED UNITS

INSTALLING RIGID INSULATION

INSTRUCTIONS:

1. ATTACH J-TRIM TO SECURE VERTICAL INSULATION IN PLACE. ENSURE THAT WEEP HOLES ARE POSITIONED ACROSS FROM THE VERTICAL MULLIONS TO FACILITATE EFFICIENT DRAINAGE OF WATER FROM THE CHANNELS.
2. USE A RETRACTABLE KNIFE TO CREATE HOLLOWS IN THE RIGID INSULATION AS INDICATED BELOW.
3. INSTALL THE RIGID INSULATION ACCORDING TO THE DETAILS PROVIDED IN THE SHOP DRAWINGS.

NOTE:
INSULATION PANELS MAY REQUIRE ON-SITE ADJUSTMENTS.

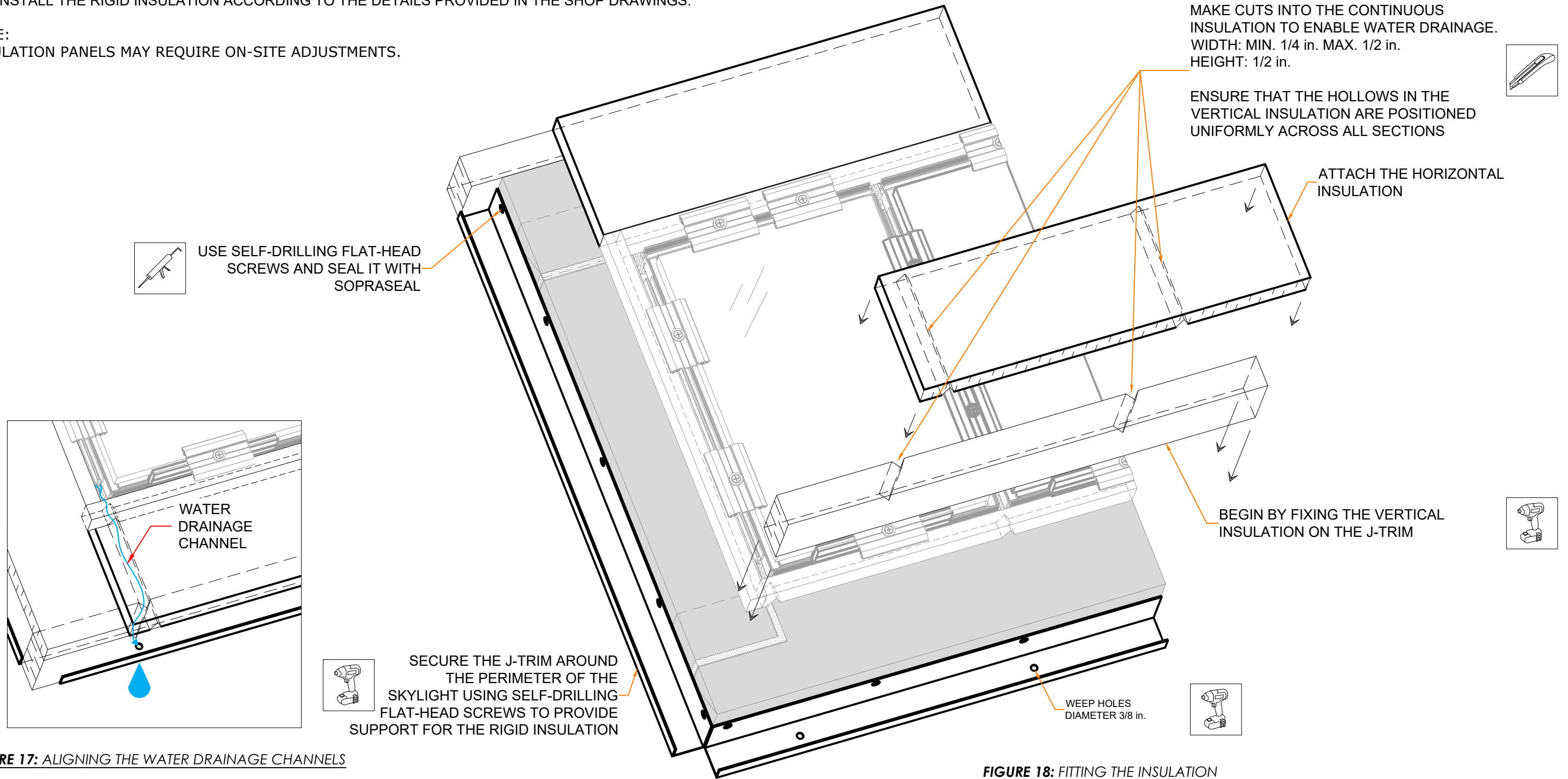
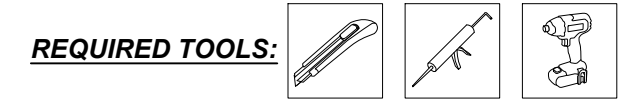
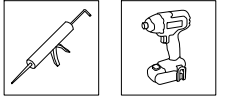


FIGURE 17: ALIGNING THE WATER DRAINAGE CHANNELS

FIGURE 18: FITTING THE INSULATION

INSTALLING THE EXTERIOR FINISH

REQUIRED TOOLS:



INSTRUCTIONS:

SEE APPENDIX 1 IF SILICONE SEALANT WITH COVER

1. REMOVE THE TEMPORARY PRESSURE PLATES.
2. PLACE ALUMINUM FLASHING OVER THE EDGING INSULATION. BEGIN WITH THE FLASHING AT THE BOTTOM OF THE SKYLIGHT. SECURE THE SHEETS USING 1/4-20 X 5/8 in. SCREWS.

NOTE:
FINISHING SHEETS MAY REQUIRE ON-SITE ADJUSTMENTS.

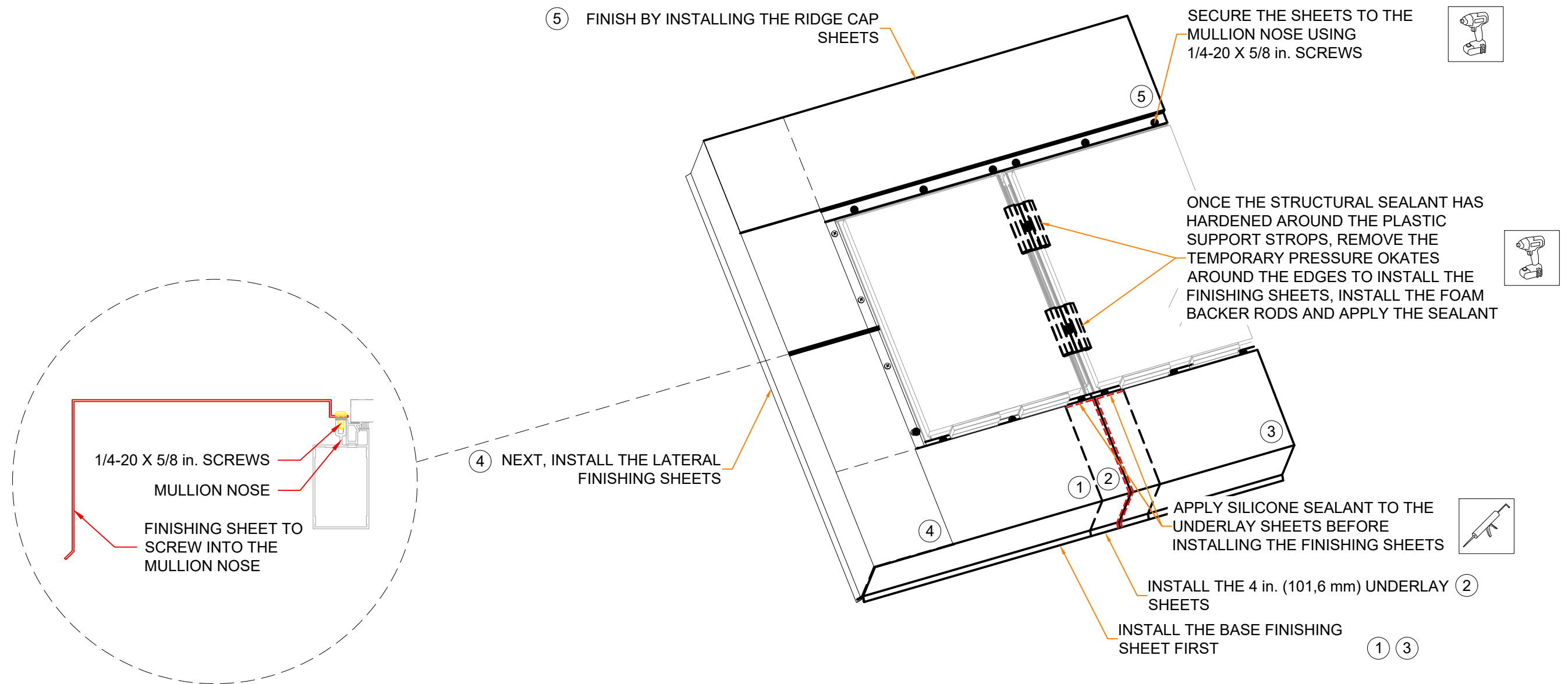


FIGURE 19: FITTING THE FINISHING SHEETS

APPLYING FINISHING SEALANTS

REQUIRED TOOLS:  

INSTRUCTIONS:

1. APPLY SILICONE SEALANT TO THE SEAM OF EACH SHEET AS PICTURED.
2. INSERT THE FOAM BACKER ROD INTO THE RECESS IN ORDER TO ACCOMODATE THE SILICONE FINISHING SEALANT.
3. APPLY THE STRUCTURAL SILICONE SEALANT ACCORDING TO THE DETAILS PROVIDED IN THE SHOP DRAWINGS.

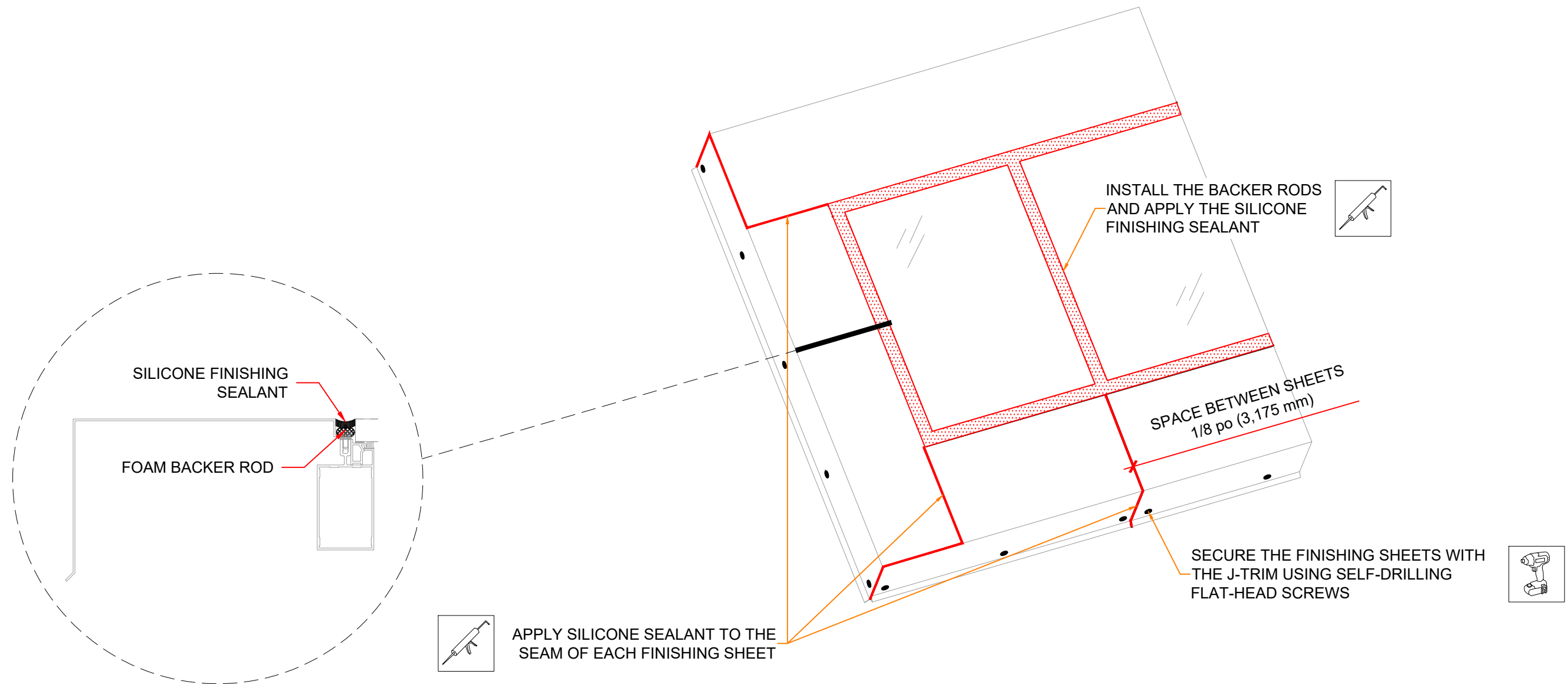


FIGURE 20: APPLY FINISHING SEALANT

APPENDIX 1: SILICONE SEALANT AND COVERS

REQUIRED TOOLS:  

INSTRUCTIONS:

1. REMOVE TEMPORARY PRESSURE PLATES WHERE A STRUCTURAL SILICONE SEALANT IS REQUIRED AND PLACE THE FOAM BACKER RODS INTO THE RECESSES.
2. APPLY THE SILICONE FINISHING SEALANT ACCORDING TO THE DETAILS PROVIDED IN THE SHOP DRAWINGS. ENSURE THAT SILICONE HAS BEEN APPLIED TO THE ENTIRE BASE OF THE GLAZING.
3. ONCE THE SILICONE SEALANT HAS BEEN APPLIED, INSTALL THE PERMANENT PRESSURE PLATES.
4. APPLY SILICONE FINISHING SEALANT TO THE SEAMS WHERE THE VERTICAL AND HORIZONTAL PRESSURE PLATES INTERSECT.
5. SECURE THE FINISHING SHEETS AND APPLY SILICONE SEALANT TO THE SEAM OF EACH SHEET.

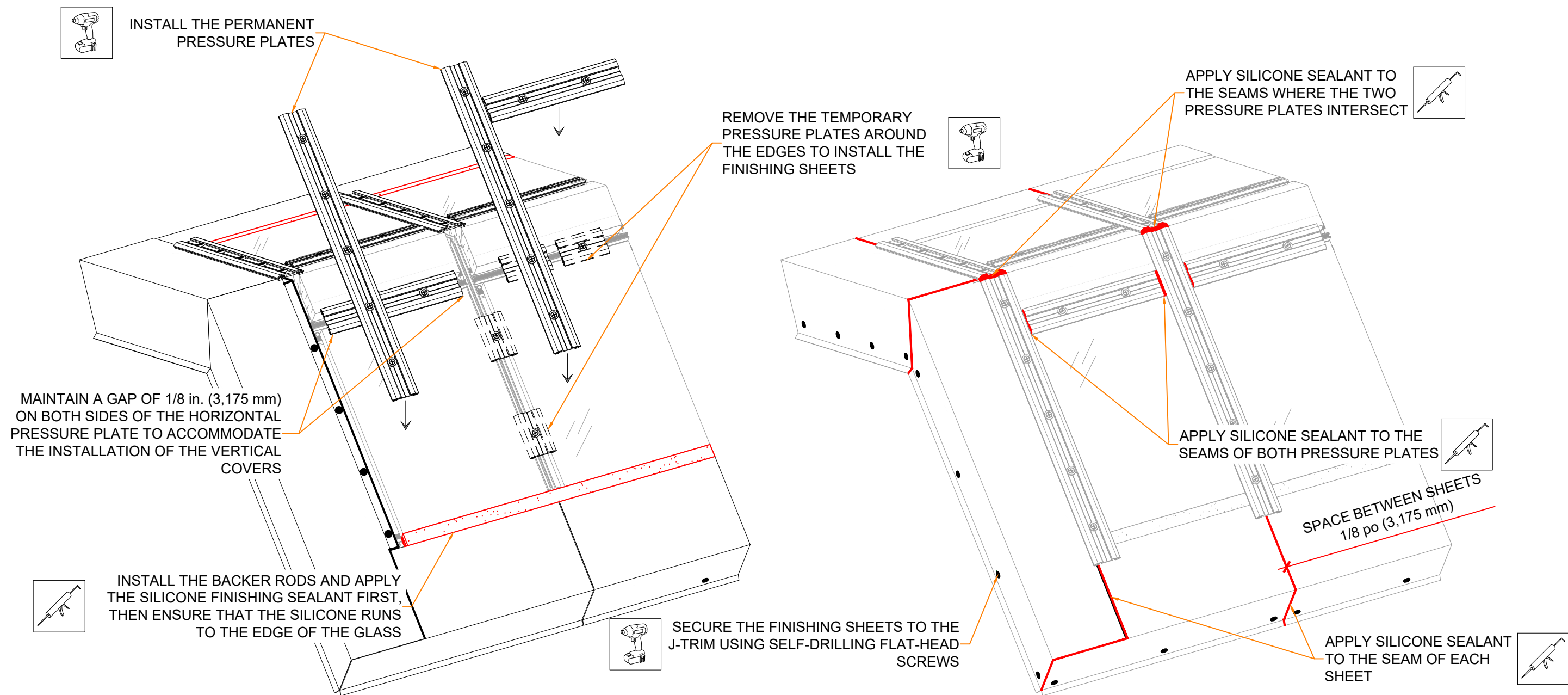
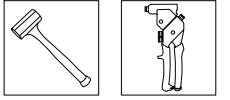


FIGURE 21: APPLYING THE STRUCTURAL SILICONE SEALANT AND INSTALLING PRESSURE PLATES

FIGURE 22: APPLYING WATERPROOFING AND FINISHING SEALANTS

APPENDIX 1: SILICONE SEALANT AND COVERS (CONTINUED)

REQUIRED TOOLS:



INSTRUCTIONS:

1. PLACE THE VERTICAL COVERS FIRST, FOLLOWED BY THE HORIZONTAL COVERS ACROSS THE ENTIRE SKYLIGHT.
2. INSTALL THE FLASHING ALONG THE RIDGE OF THE SKYLIGHT AND ADJUST ITS SIZE AS REQUIRED.
3. SECURE THE FLASHING TO THE SNAP-ON COVERS WITH POP RIVETS.

NOTE:
CERTAIN COVERS MAY BE SEALED AND FINISHED AT ONE END. CONSULT THE SHOP DRAWINGS TO IDENTIFY THEM.
IT'S ADVISABLE TO USE A RUBBER Mallet TO AVOID DAMAGING THE ALUMINUM OR THE PAINT ON THE COVERS.

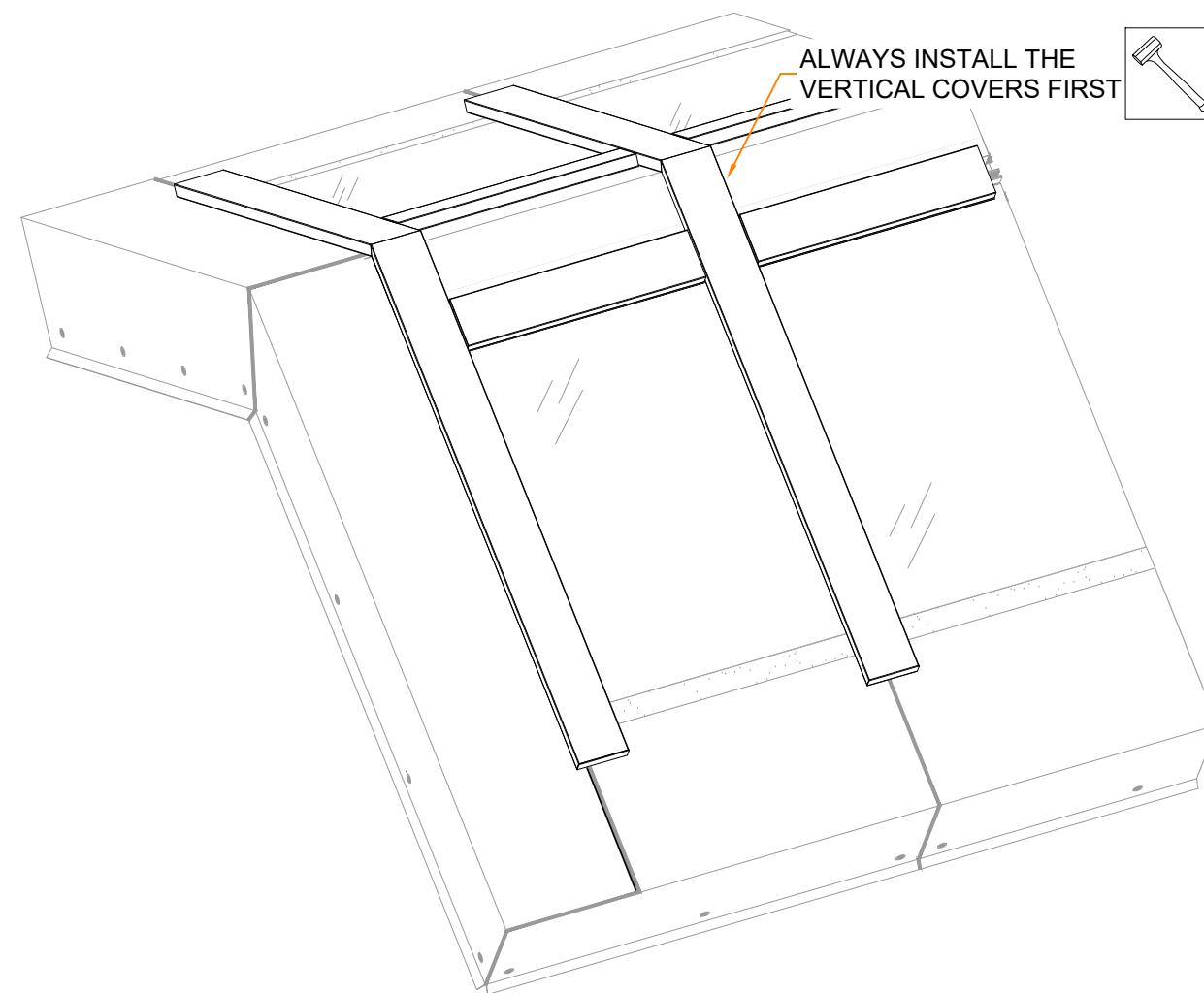


FIGURE 23: INSTALLING THE COVERS

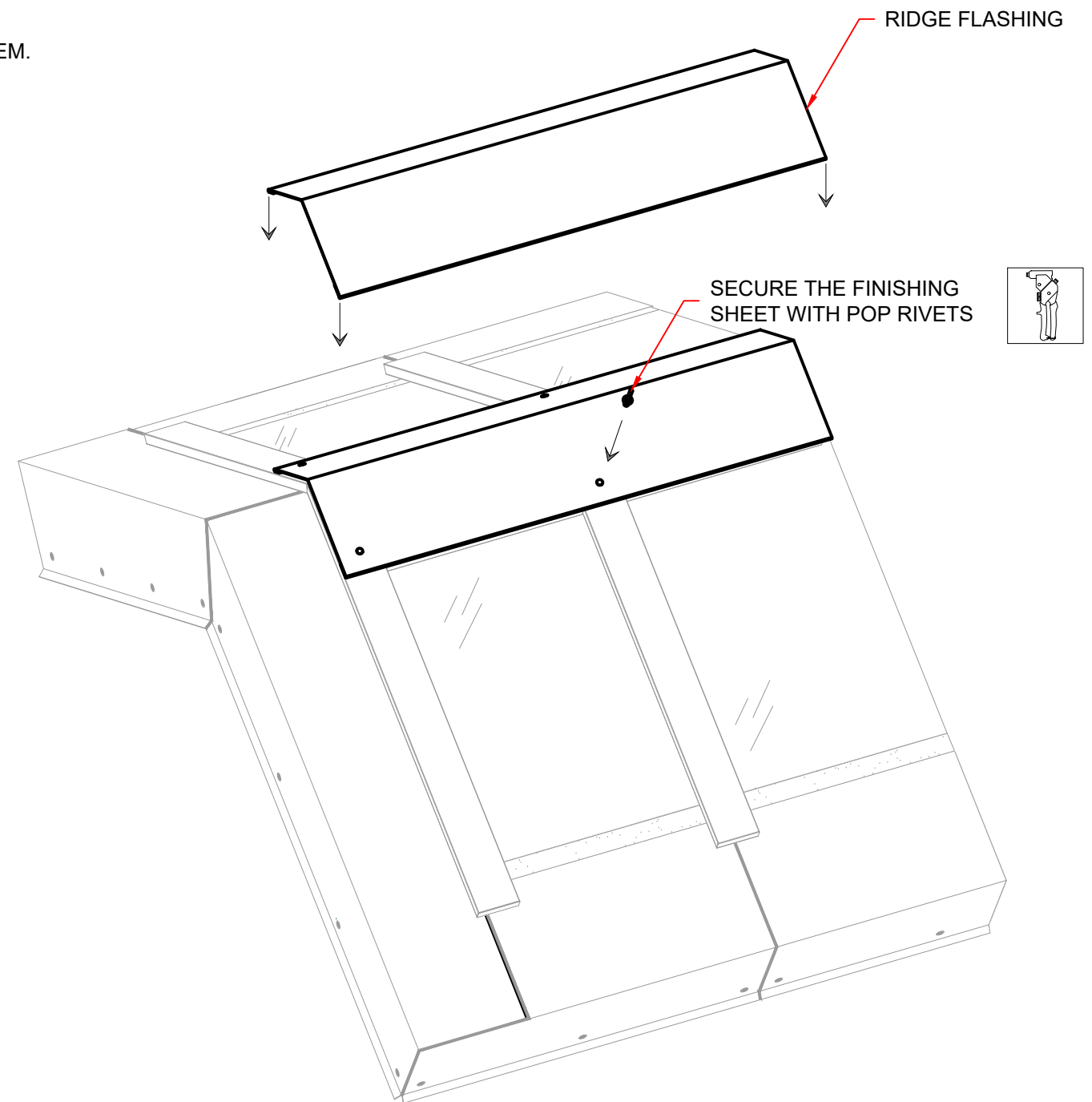


FIGURE 24: FITTING AND SECURING THE RIDGE CAPS