



THE CLEAR ADVANTAGE

Insulating Glass with
Integrated Cord-Free Louvers



Freedom to Live Beyond Glass

Vision Control® is a patented, hermetically sealed glass unit combining louvers (operable or fixed) within glass that can be customized to virtually any shape for interior and exterior glazing applications.

Its advanced louvered glazing technology eliminates strings and cords, ensures alignment, requires no maintenance and provides the ideal daylighting or privacy solution for healthcare, commercial, educational, institutional and any non-residential environments. When installed in exterior applications, Vision Control® can significantly reduce energy consumption.



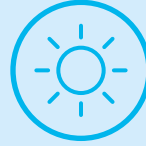
Provides Unprecedented Control Over



HEAT



VISION



DAYLIGHT



SOUND

Hospital design and architecture can play an important role in patients' recovery when it comes to privacy and tranquility. Similarly in school and office design, creating focused spaces for meetings and fostering a sense of well-being without compromising privacy or security is of paramount importance. Integrated louvers meet these requirements for interior partitions, borrowed lites, sidelites, swing doors, sliding doors, and more.





Louvered Glazing Solution for Unmatched Function and Performance

Infection control

Vision Control's patented technology is an industry leader in providing solutions to control the spread of infections and increase safety for building occupants.

Safety

Attack- and impact-resistant glazing and adaptable ligature-resistant operators offer enhanced protection.

Dust-free

Hermetically sealed for improved hygiene and reduced allergy risk.

Cord- and string-free design

Ensures perfectly aligned extruded aluminum louvers and eliminates the gradual wear and tear of strings associated with traditional blinds.

No maintenance

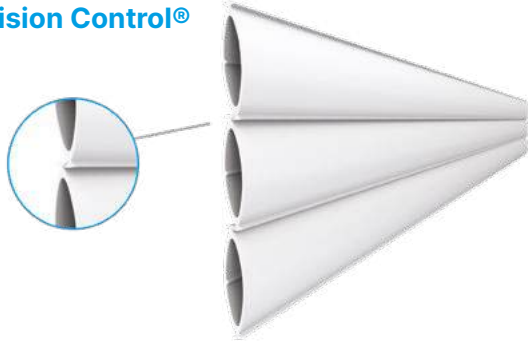
Eliminates cleaning and maintenance costs.

Multi-purpose applications

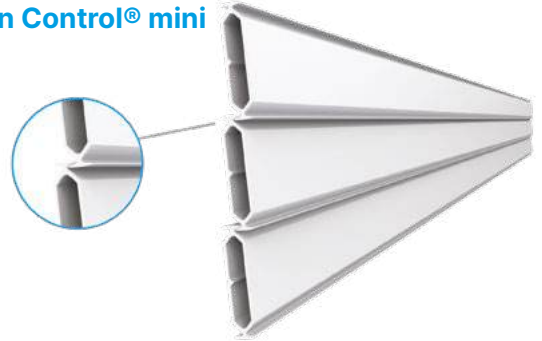
Eliminates the need for curtains, shades, or blinds for swing doors, sliding doors, sidelights, windows, interior partitions, skylights, and curtain walls.

Vision Control® and Vision Control® Mini glass panels are made with unique interlocking hollow-chambered louvers available in different shapes and sizes to suit a wide range of interior and exterior applications.

Vision Control®



Vision Control® mini



3/16" (5mm)
 7/8" x 3/16"
 (22mm x 5mm thick to a maximum glass width of 48" (1,219mm))

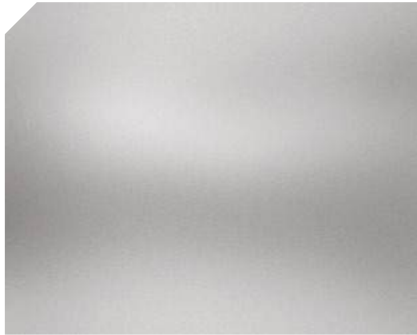
1/4" (6mm)
 1 3/8" x 1/4"
 (35mm x 6mm thick to a maximum glass width of 48" (1,219mm))

3/8" (10mm)
 1 3/8" x 3/8"
 (35mm x 10mm thick to a maximum glass width of 58" (1,473mm))

1/2" (13mm)
 1 3/8" x 1/2"
 (35mm x 13mm thick to a maximum glass width of 68" (1,727mm))

Vision Control® Louver Color Options

Vision Control® and Vision Control® Mini louvers are made of standard baked-enameled Duracron, available in the following colors:



**Duracron Metallic Grey
K-20794**



**Duracron Glossy White
K-1285**
Best suited for exterior applications



Custom Colors, Color-Matching
For exterior applications, color must remain light, not dark, to avoid heat build-up inside the units

Vision Control® Glass Types

Available in double or triple glazed units and custom-manufactured with any of these glazing types:

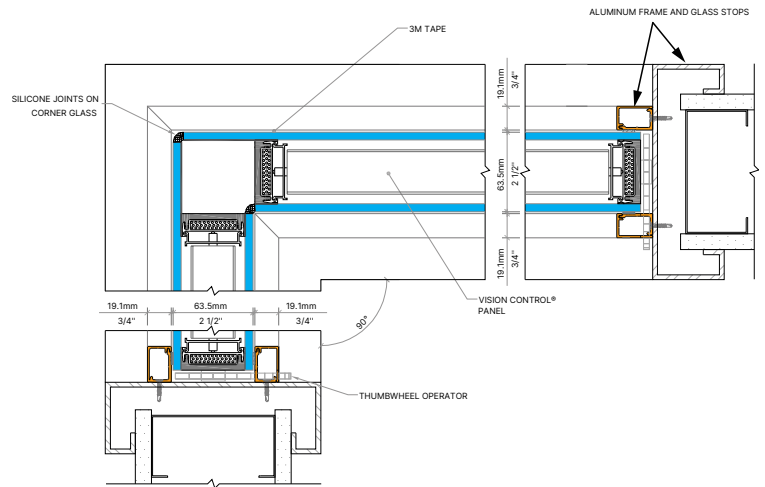
- Tempered glass
- Laminated tempered glass
- Low-E glass
- Fire-rated glass
- Radiation protection Lead glass
- Laser protective glass
- Security glass
- One-way mirror glass
- Tinted glass
- Glass-clad polycarbonate
- Standard Polycarbonate and scratch resistant polycarbonate
- Ceramic frit of sandblasted glass
- Printed glass



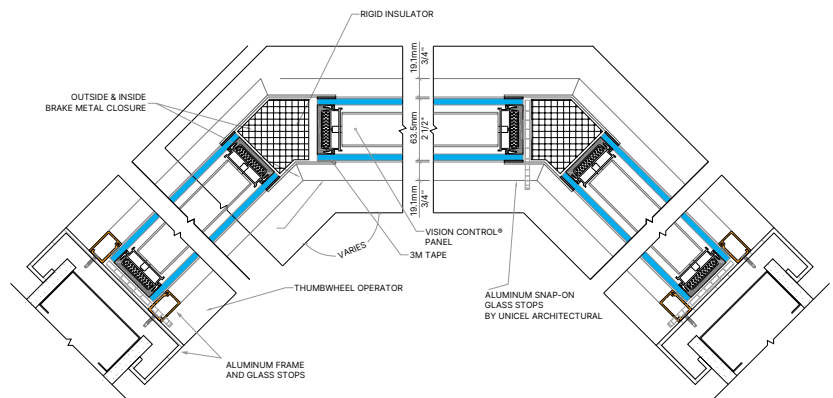
Vision Control® Interior Wall Applications

Transform your space with our patented Vision Control® glazing solution, designed to enhance both functionality and aesthetics. Ideal for healthcare facilities and institutional environments (schools, museums, auditoriums, banks, offices and more), Vision Control® provides unlimited design options for interior use and adapts to a multitude of applications.

Two-panel Alcove



Three-panel Alcove



HOW THE SYSTEM WORKS

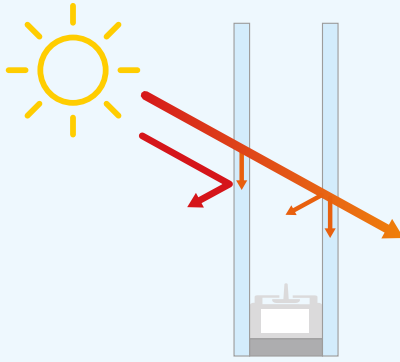
Daylighting design

Blocks unwanted glare, heat and harmful UV rays while maximizing entry of light further into the space to reduce the need for artificial lighting.

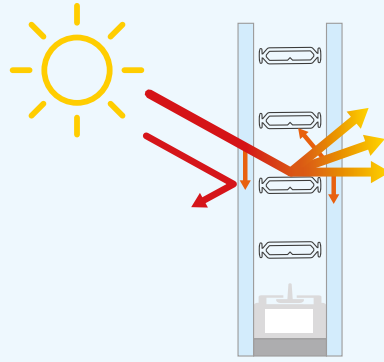
Solar heat control

Ensures optimal thermal performance to reduce HVAC costs and energy consumption.

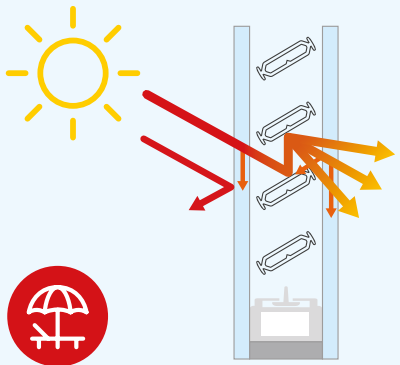
Normal



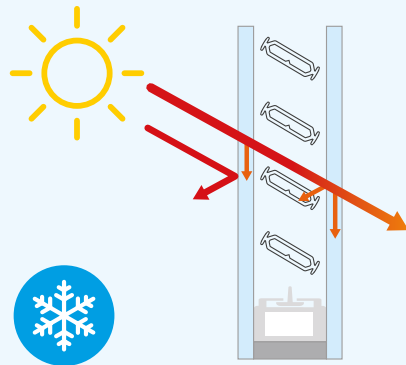
Best view to exterior and daylighting



Summer Cut off direct sunrays



Winter Maximize solar heat gain



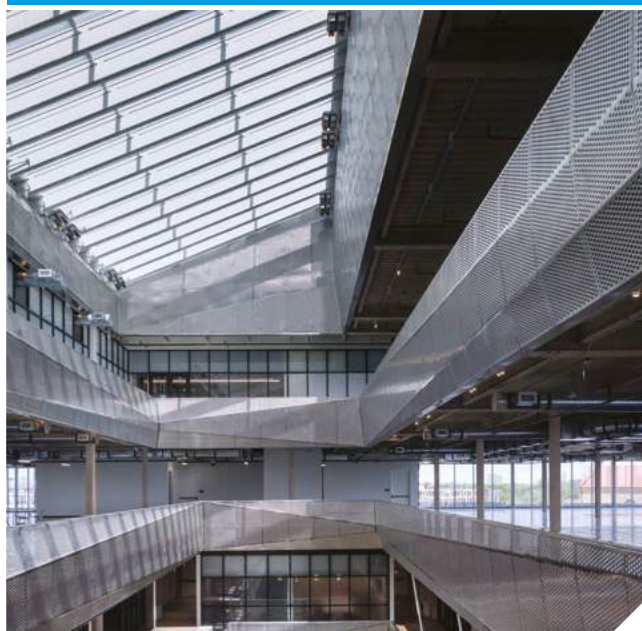
Vision Control® for Exterior Applications

The rigidity and perfect alignment of Vision Control® cordless louvers make it ideal for sloped glazing. Apart from its aesthetic value, Vision Control® provides significant thermal performance, substantial energy savings, diffused daylighting and reduced glare. Thanks to its high STC ratings, Vision Control® is the ideal louvered glazing product which helps block harmful UV rays and provides effective sound control in exterior windows, curtain walls, skylights, and much more.

Exterior Window



Sloped / Skylight



Curtain Wall



- Vision Control® reduces excessive solar heat, thereby reducing air conditioning costs.
- Provides incomparable comfort and higher energy-saving performance throughout the year.
- With its high STC ratings, Vision Control® is the ideal louvered glazing solution for sound control in applications where street noise and air traffic are a problem.
- The rigidity of the Vision Control® louvers — whether horizontal or vertical, is ideal for any glazing/skylight applications. It eliminates sagging or bending often seen with blinds and roller shades.

Vision Control® for Door Applications



Sliding Door

- Vision Control® Mini is ideal in healthcare environments where sliding doors move incessantly.
- Ensures perfectly aligned louvers that deliver blade position uniformity and precision regardless of activity.

Swing Door

- Vision Control® can be installed as vision lights in wood, steel, and aluminum doors of 1 3/4" (44mm) or 2" (51mm) in thickness.
- Operable on one or both side(s), it eliminates curtains, shades or any other type of Venetian blinds that flap continuously or get damaged by the closing and opening of the door.

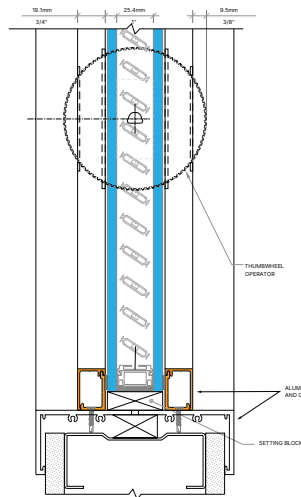


NEW Door trims offer more sleek, contemporary design to suit project design requirements and spend less time cleaning.

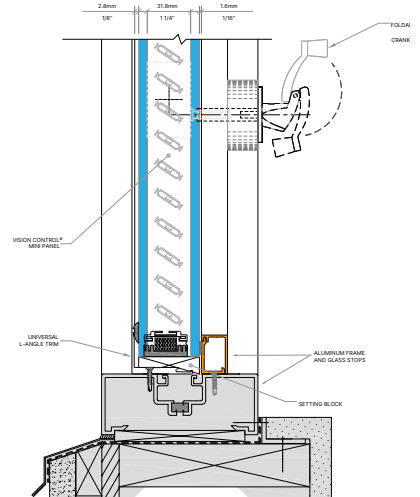
Vision Control® Mini for Limited Glazing Depth Applications

In glazing applications where pocket depth is limited, Vision Control® Mini is ideal. It is also completely customizable – featuring multiple high-speed, self-reversing control mechanisms, including ligature-resistant and automated programmable options — for sliding doors, swing doors, interior windows, and other interior or exterior applications.

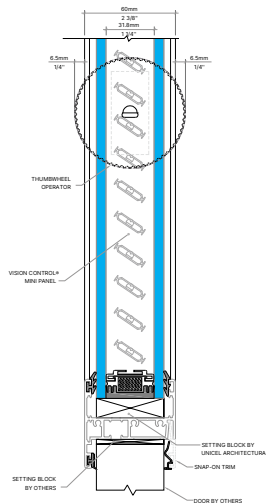
Interior Wall



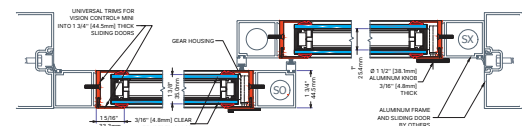
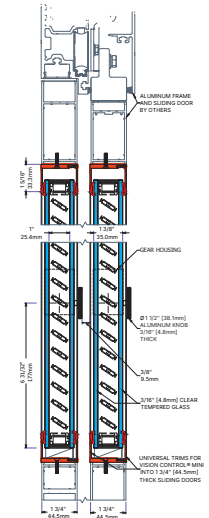
Exterior Wall

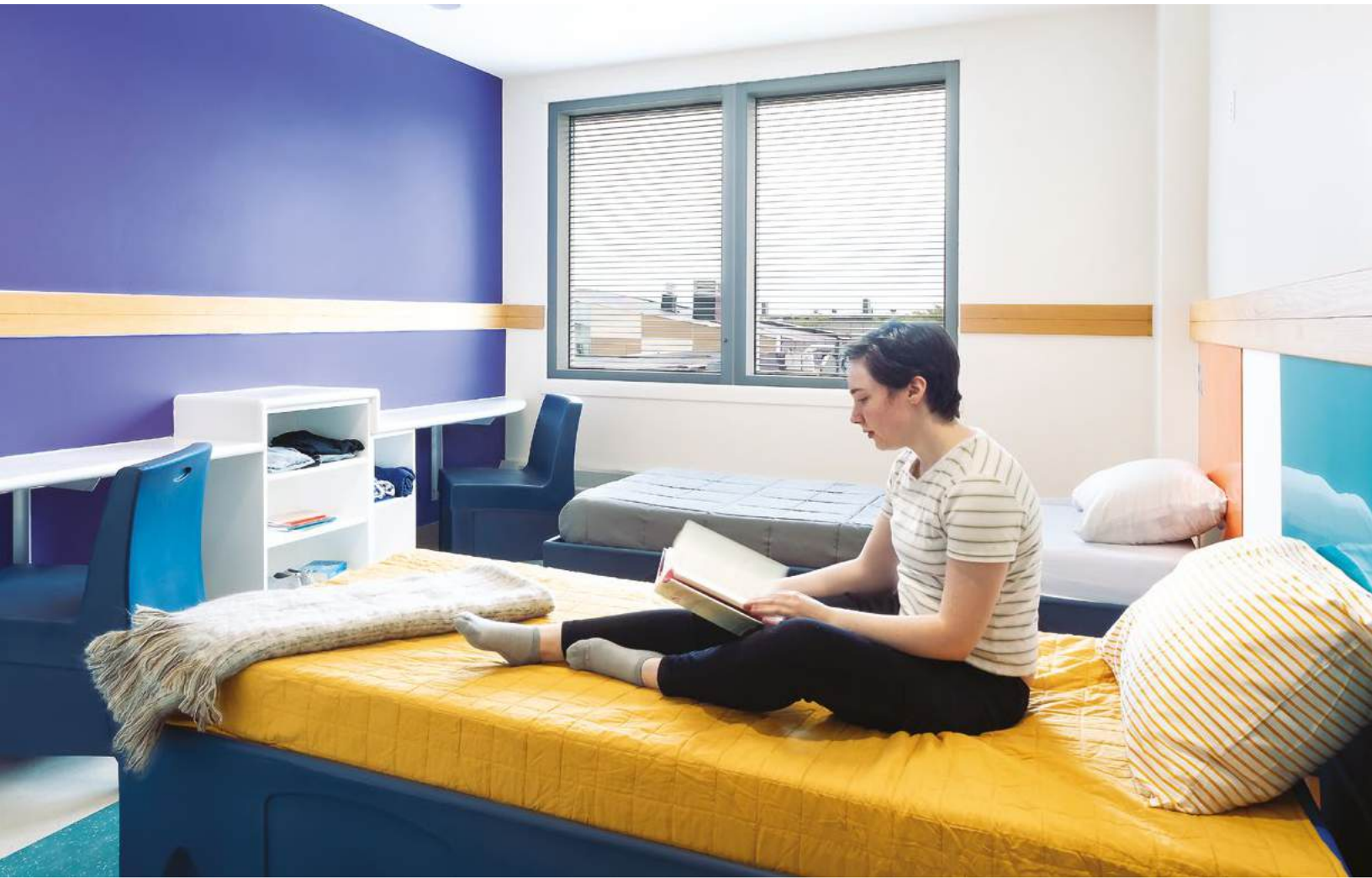


Swing Door



Sliding Door





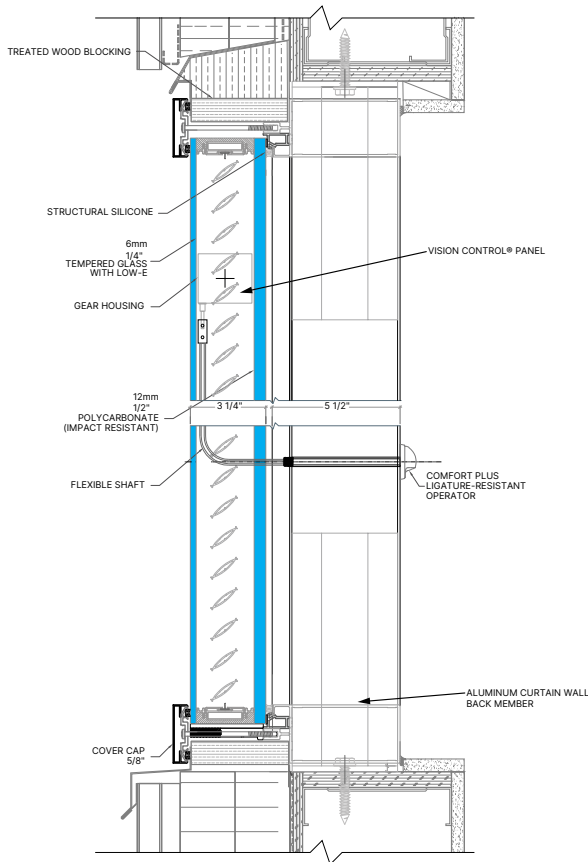
Creating a Safe and Secure Environment

Unicel Architectural has a strong track record of supplying Vision Control systems to many behavioral and mental health centers across the USA and Canada. It is now the gold standard in cord-free integrated louvered glazing that provides safety, comfort and natural light along with control of vision, temperature, light, and sound.



Noise, Daylight & Patient Privacy

In behavioral health design, sound attenuation is important to maintain a calm and stress-free healing environment – a crucial feature for the safety and treatment of patients. Vision Control® in both interior and exterior applications provides staff the discreet visual observation of patients while optimizing natural daylight and temperature elements.

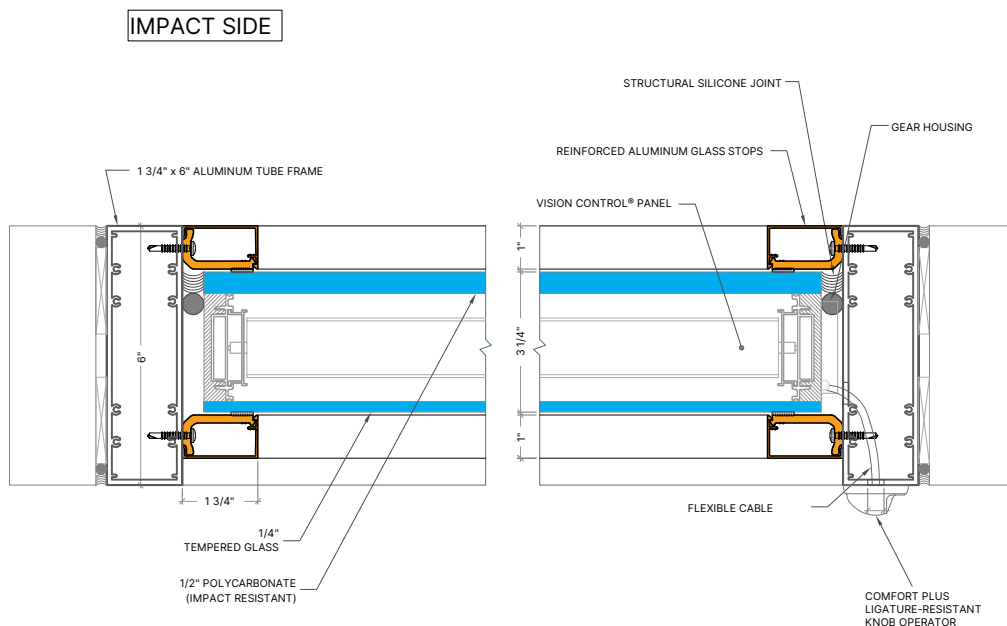


Meets HIPAA requirements for doctor-patient privacy.



Patient & Staff Safety

Attack-resistant glazing and adaptable ligature-resistant operators are designed to meet the unique requirements of behavioral and mental health facilities to ensure patient and staff safety. Vision Control® has passed the AAMA 501.8 Behavioral Health Tests for 2,000 ft-lbs of human impact on both interior and exterior applications, and is listed in the New York State Office of Mental Health (NYS-OMH) Patient Safety Standards, Materials and Systems Guidelines.




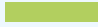
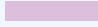
Vertically oriented louvers help ground behavioral health patients, a feature that is only available with Vision Control.



Behavioral Health Operators for Vision Control®

Redefine architectural possibilities with these diverse range of ligature-resistant operators designed for behavioral health applications:

- Easy to use
- Offer better protection to patients and staff in behavioral and mental health hospitals
- Sleek designs that deliver precise and effortless control.

	ADA Compliant
	Ligature Resistant
	Accessible in one- or two-sided behavioral health applications



Ligature-resistant Comfort + Knob

Delivers precise and effortless control of louvres.



Ligature-resistant Parabolic Knob

Delivers precise operation.



Ligature-resistant Key Operator

Ideal for behavioral health applications.



The Ultimate Solution to Protect Medical Professionals

L.A.S.E.R Protection

With the increasing use of lasers in the medical field, the need for reliable and effective laser protection is more crucial than ever. Vision Control® provides an innovative and reliable solution that ensures optimal protection against harmful laser exposure.

Our product is ideal for use in various healthcare facilities for diagnostic, cosmetic, preventative, and therapeutic applications such as surgery. It is suitable for use with a wide range of laser systems, including CO₂, YAG, Fiber, KTP, Holmium and Excimer lasers, making it an essential component of any laser protective housing scheme.



PATENTED, PROPRIETARY TECHNOLOGY



UP TO 20-YEAR WARRANTY



HIGHLY COST-EFFECTIVE: PAYS FOR ITSELF



GERM-FREE, DUST-FREE AND MAINTENANCE-FREE



BLOCKS LASERS USED IN MEDICAL APPLICATIONS



ENSURES HYGIENE, PRIVACY AND COMFORT

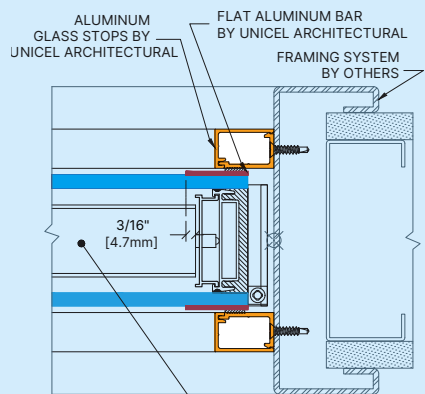


The intrinsic nature of the Vision Control® or Vision Control® Mini louvers, being made of extruded aluminum, naturally block the following laser types. This eliminates the need for cost-prohibitive laser protective acrylics or films.

Laser type	Wavelength	Output Power	Exposure Duration	Angle from Normal	Measured TA	OD
CO2	10.6um	100W cw	10 sec	0°, +45°, -45°	No transmittance	N/A
YAG	1064 nm	100W cw	10 sec	0°, +45°, -45°	No transmittance	N/A
Fiber	810 nm	100W pk	10 sec	0°, +45°, -45°	No transmittance	N/A
KTP	532 nm	100W cw	10 sec	0°, +45°, -45°	No transmittance	N/A
Holmium	2100 nm	100W pk	10 sec	0°, +45°, -45°	No transmittance	N/A
Excimer	353 nm	100W pk	10 sec	0°, +45°, -45°	No transmittance	N/A

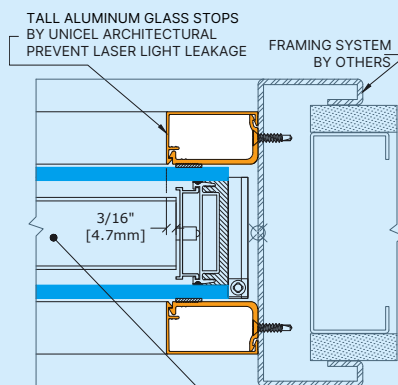
OPTION 1

Interior partition with flat bar



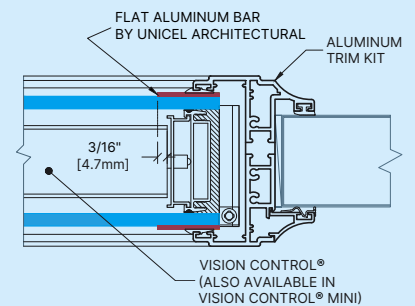
OPTION 2

With tall glass stops



OPTION 3

Door trim with flat bar



When the louvers are in closed position, both systems can block a wide range of lasers used in medical applications, operating in pulsed or continuous mode and up to 100W beam intensity.

To block laser beams in medical applications, the interlocking louvers must be at the fully closed position. Flat aluminum plates or tall glass stops must also be installed on the vertical glass edges. This ensures no laser light leakage through the vision panel.



ATTENTION: Laser radiation protection is only guaranteed when unit is installed in accordance with the manufacturer's installation instructions, the unit is in the closed position, and the trim is installed. This product complies with the requirements for protective housing schemes of IEC/EN 60825-4-2009-06.

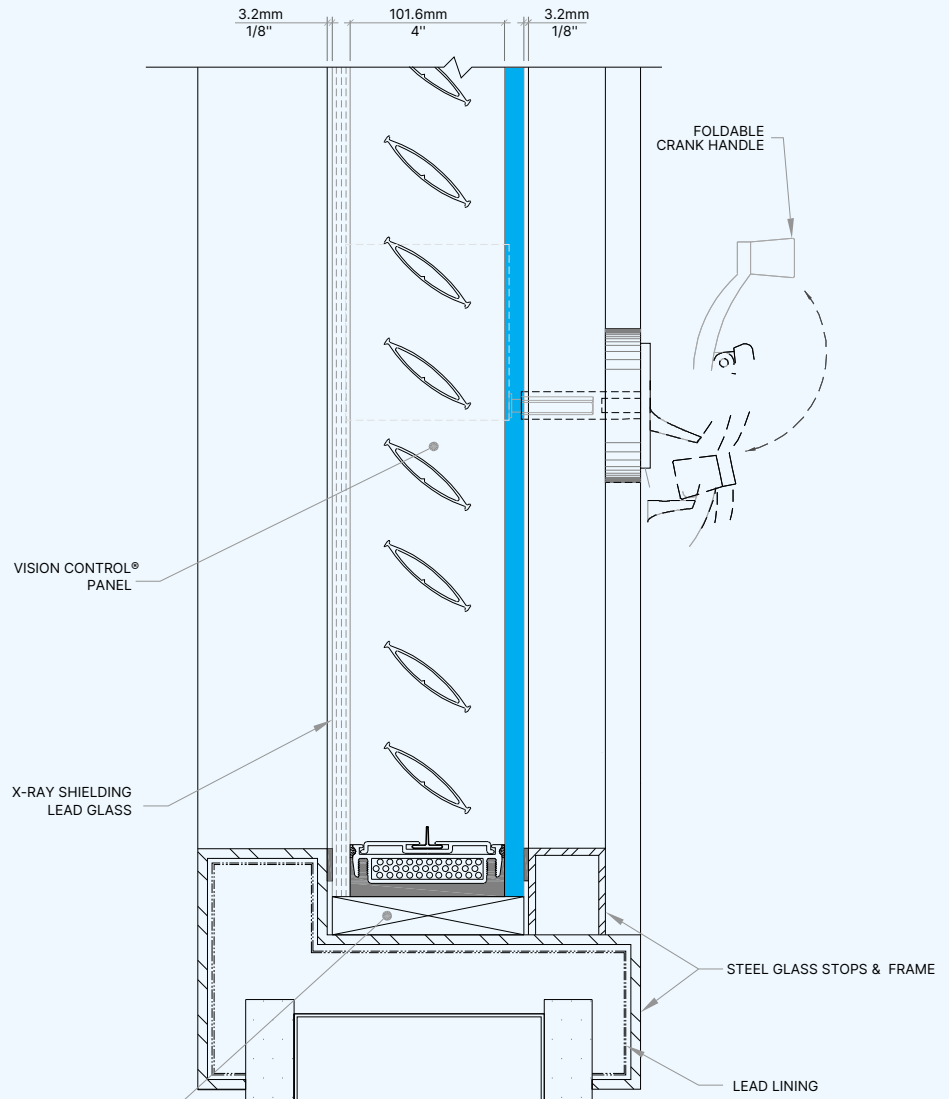
Vision Control® with X-ray Shielding: Superior Safety and Privacy Experience

Why Choose Vision Control® with X-ray Shielding?

- **Reliability:** Depend on our robust design that guarantees uninterrupted performance and peace of mind.
- **Customizable Solutions:** Tailor our product to meet specific needs with a variety of configurations and options.
- **Expertise and Support:** Benefit from Unicef Architectural's decades of experience in delivering high-quality architectural solutions.

Key Benefits:

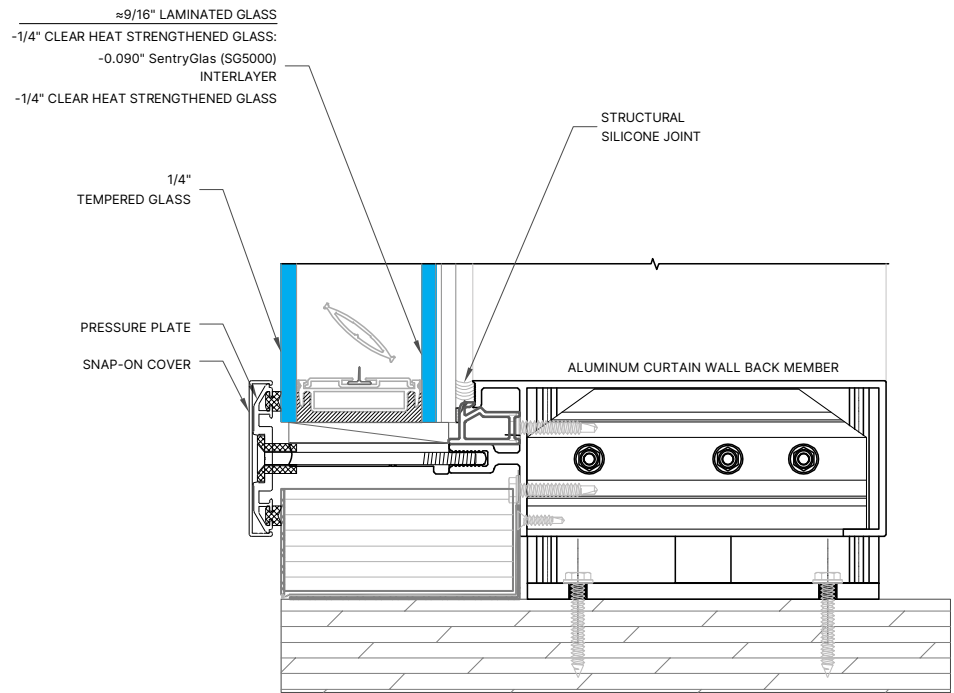
- **Enhanced Safety:** Vision Control® combined with lead glass meets stringent safety standards.
- **Versatile Applications:** Ideal for hospitals, clinics, research facilities, and other environments where radiation shielding is paramount.



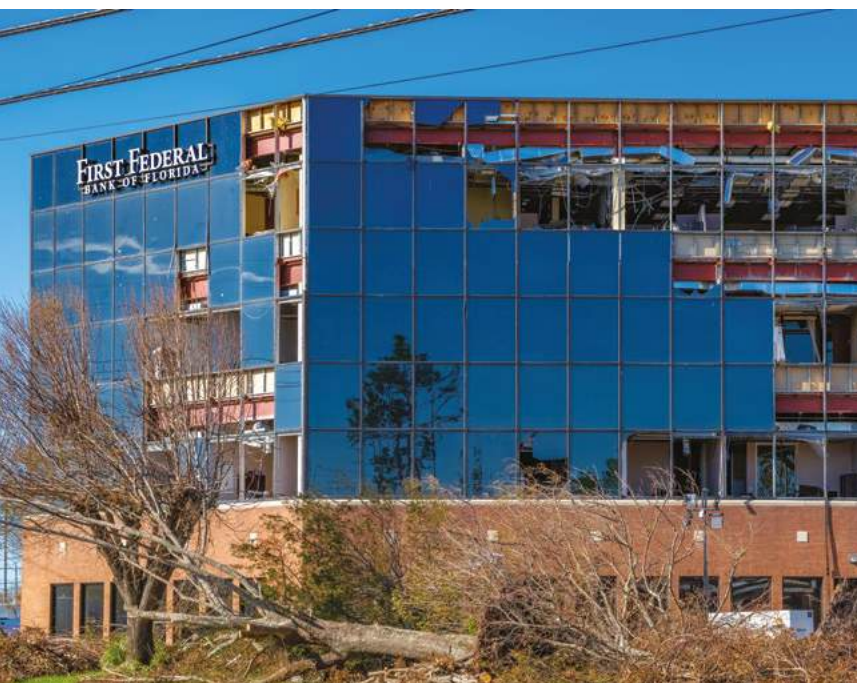
Safeguard Against Dangerous Storms with our NEW Hurricane Rated Insulating Glass Units (IGUs)

With the advent of more frequent and powerful storms, glazing that can resist the punishing high winds of a hurricane or tropical storm has become more important than ever.

The latest edition of Vision Control® advanced louvered glazing are certified to withstand hurricane-strength winds and made from multiple glass panes reinforced with a polymer layer. Impact-resistant hurricane-rated windows do not shatter when broken and do not require building owners to install additional storm shutters or other protective devices.



Protect Property and its Occupants Before Disaster Strikes



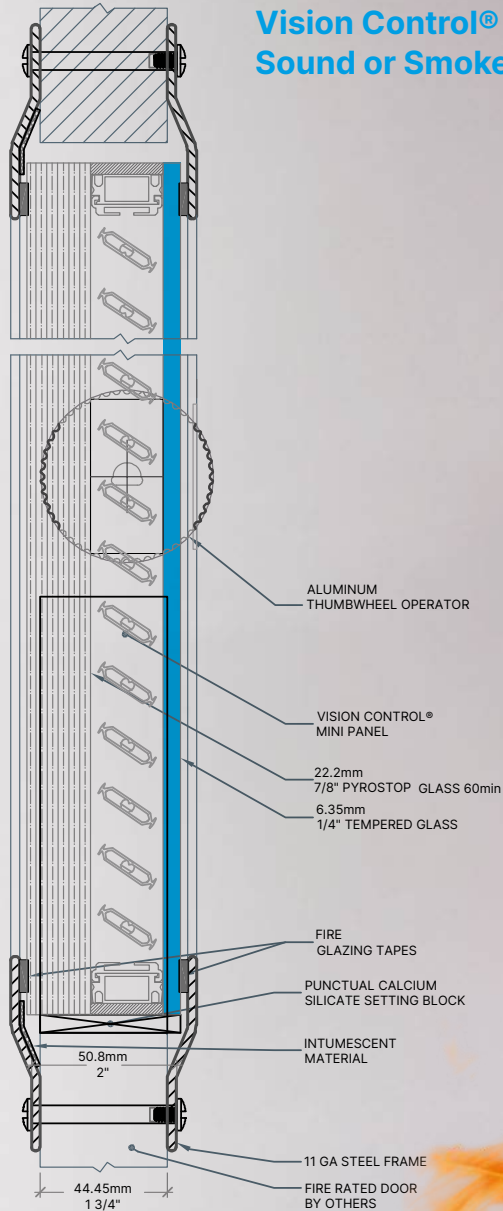
Unicel Architectural's hurricane-rated insulating glass units — including those outfitted with Vision Control® and Vision Control® Mini — have received certification for high-velocity hurricane zone (HVHZ) and wind zone 4 (missile level D).

Reference: ASTM E1886 and ASTM E1996



The Perfect Solution for Safety and Privacy Control

Our fire-rated IGU with integrated, cord-free louvers is the perfect solution for buildings that require both fire protection and privacy control. Vision Control® and Vision Control® Mini made with Pilkington Pyrostop® fire-rated glazing provide unprecedented privacy control with fire ratings of 20, 45, 60, and 90 minutes for doors, windows, transoms, and sidelights.



Transparent Fire Shield

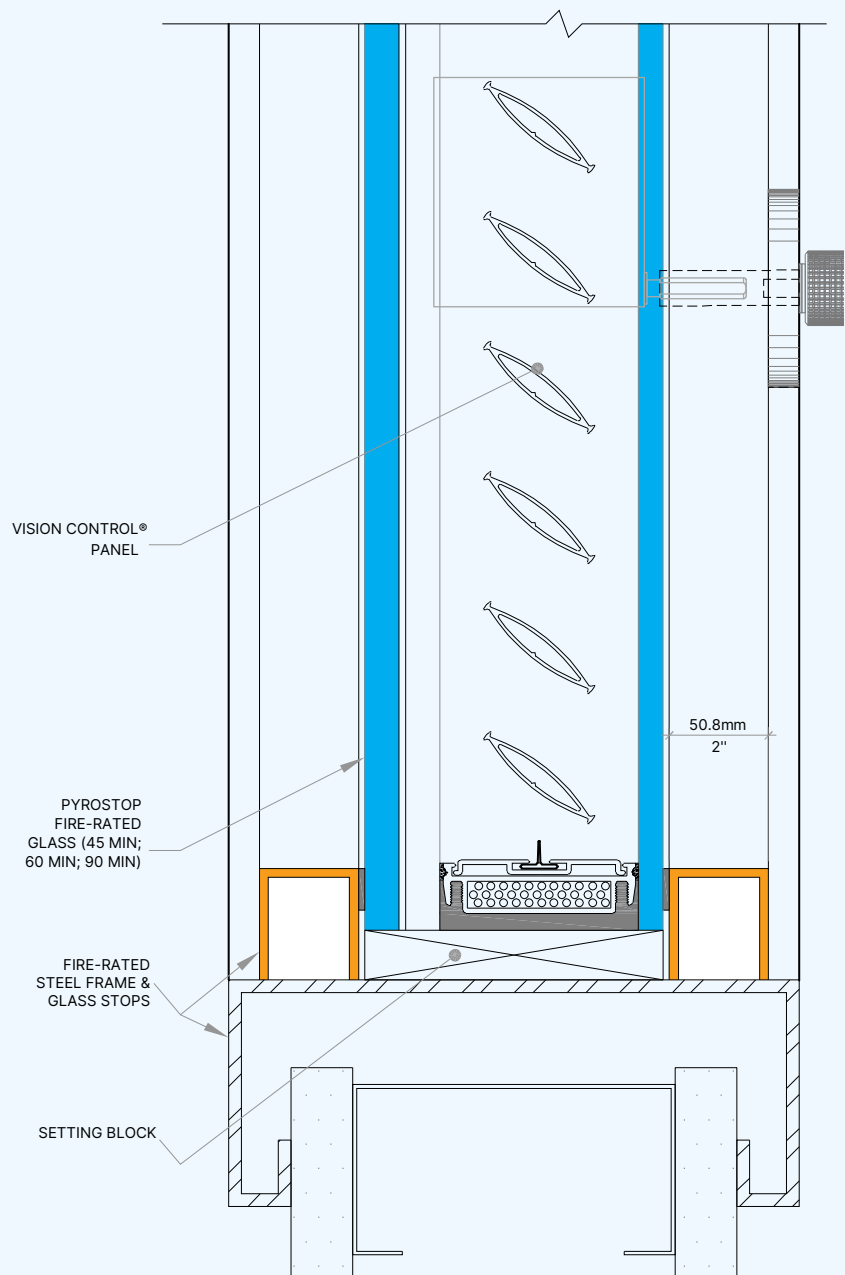
Pilkington Pyrostop® provides clear, unobstructed views while maintaining fire safety, ensuring both visibility and protection.

Integrity and Insulation

The glazing not only stops the passage of flames but also insulates against heat, protecting people and assets on the other side of the glass.

Durability and Longevity

Pilkington Pyrostop® is designed to maintain its fire-resistant properties over time, offering long-term peace of mind.



Operators

Features

- Vision Control®'s cord-free design features multiple control mechanisms
- Includes ligature-resistant and programmable options
- Select operators can be made with long-lasting plastic, zinc, brass, or aluminum





Benefits

- Select models provide high-speed and self-reversing mechanisms
- Operators can be made accessible from one or both sides of a window
- Select models are especially well-suited for areas with limited space



Manual Operators

Various models offering high-speed, self-reversing operation and accessibility in two-sided applications.

 Behavioral Health Operator	 Ligature Resistant
 ADA Compliant	 Accessible in one- or two-sided behavioral health applications



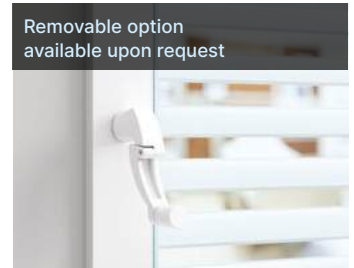
Ligature-resistant Comfort + Knob
Delivers precise and effortless control of louvres.



Ligature-resistant Parabolic Knob
Delivers precise operation.



Ligature-resistant Key Operator
Ideal for behavioral health applications.



Crank handle
Easy to grab handle delivers quick operation.



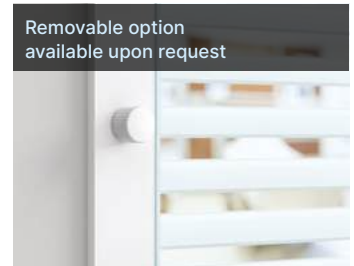
Quickglide™
High-speed, slim design operator delivering precise and effortless control.



Flat Aluminum Knob
Designed for sliding doors.



Thumbwheel
High-speed operation suitable for limited spaces.



Aluminum Knob (Knurled or Smooth)
Delivers precise operation.
**Knurled knob is ADA-compliant.*

Automated/Programmable Operators

Models offering quick and precise control for multiple panel and out-of-reach installations. Ideal for large-scale projects and intelligent buildings.



Remote Control
Provides quick and precise control for multiple panel and out-of-reach installations.



PLC Computerized System
Programmable and highly accurate system for large-scale projects and intelligent buildings. Can be connected to energy management systems.



Ligature-resistant Touchless Sensor
Ideal for behavioral health applications. Switch finish may vary.



UNICEL | Defining the
ARCHITECTURAL | Space Within®

Unicel Architectural's Vision Control® advanced glazing with integrated cord-free louvers is the ideal solution for the most discerning architectural projects requiring:

- Infection control
- Adjustable privacy
- Maximized natural light
- Control of solar heat gain

APPLICATIONS

- Interior / Exterior Walls
- Sliding / Swing Doors
- Behavioral & Mental Health
- Hurricane Rating
- Fire / Smoke Rating
- Laser Rating

MARKETS

- Healthcare
- Education
- Commercial/Institutional
- Correctional Facilities

Scan QR code for quick access to
Vision Control® product information



unicelarchitectural.com

USA: 1.888.259.1271

Canada & International: 1.800.668.1580

unicel@unicelarchitectural.com

