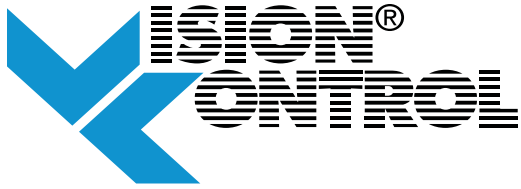


The future of vision & daylight control



INSULATING GLASS WITH INTEGRATED CORD-FREE LOUVERS



Memorial Hospital, South Bend, IN

Designed for optimal privacy,
safety and hygiene in healthcare
environments

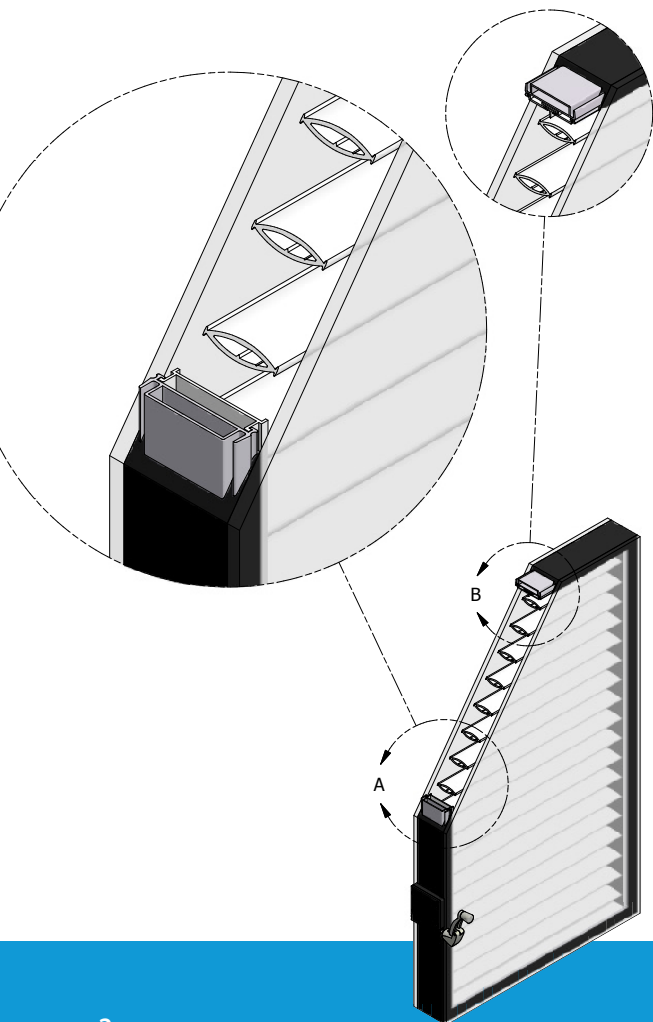
Children's Hospital, Boston, MA



Insulating glass with integrated cord-free louvers

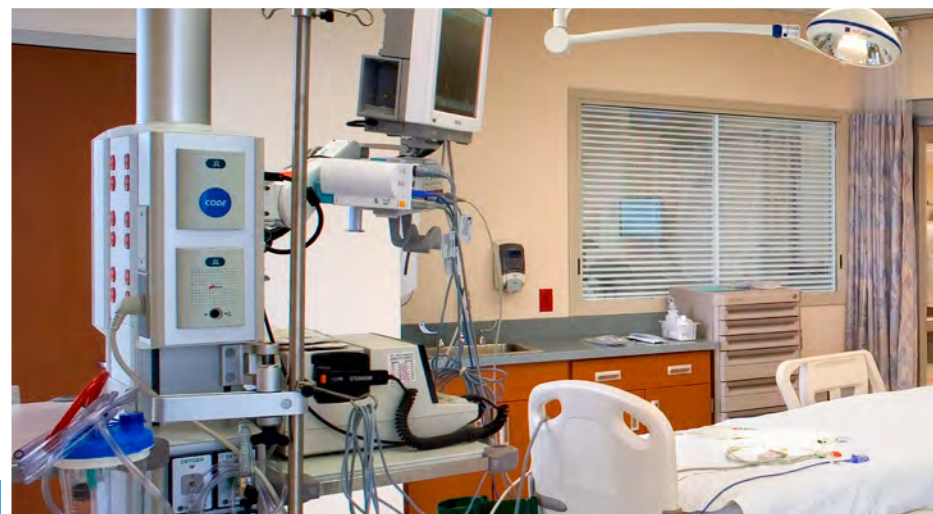
Vision Control® is a patented, hermetically sealed glass unit combining louvers within glass that can be customized to virtually any shape for interior or exterior healthcare glazing applications. Its advanced louvered glazing technology eliminates strings, ensures alignment, requires no maintenance and provides the ideal privacy solution for ICUs, operating rooms, nurseries and more.

Vision Control® is HIPAA-compliant and, when installed in exterior applications, significantly reduces energy consumption in support of LEED® requirements. Vision Control® is a winner of *The Architects' Choice Award* from the National Symposium on Healthcare Design and a *Product Innovation Award* from Architectural Products Magazine.



Hundreds of hospitals around the world trust Vision Control® for:

<i>Total privacy</i>	Completely adjustable privacy and visibility levels
<i>Optimal hygiene</i>	Reduced risk of infection and allergies
<i>No maintenance</i>	Reduced cleaning costs and replacement costs
<i>Tranquility</i>	Sound wave barriers and 2" or 2 ½" airspace thickness between glass panes help reduce noise and speed up patient recovery
<i>Safety</i>	Attack-resistant glazing and adaptable anti-ligature operators offer protection to patients and staff in psychiatric hospitals
<i>HIPAA compliance</i>	Meets Health Insurance Portability and Accountability Act (HIPAA) requirements for doctor-patient privacy
<i>Esthetic appeal</i>	Perfectly aligned louvers enhance any design approach
<i>Multi-purpose applications</i>	Eliminates the need for curtains, shades or any type of blinds for swing doors, sliding doors, sidelights, windows, interior partitions, skylights and curtain walls
<i>Daylighting design</i>	Blocks unwanted glare, heat and harmful UV rays while maximizing entry of light further into the space to reduce the need for artificial lighting
<i>LEED® certification</i>	Solar heat barriers ensure optimal thermal performance to reduce HVAC costs and energy consumption
<i>Customizability</i>	Custom-manufactured with any glazing types (tempered, heat-strengthened, tinted, laminated, wired, polycarbonate, leaded, glass-clad polycarbonates, fire-rated, and more)
<i>Superior quality</i>	All components are built to last
<i>Cord and string-free design</i>	Eliminates alignment issues and the gradual wear and tear of strings associated with traditional blinds
<i>Flexibility</i>	Various airspaces (1", 1 ¼", 2", 2 ½") and shapes (rectangular, trapezoidal, semi-circular) for adaptability in vertical and sloped conditions
<i>Argon in airspace</i>	Vision Control® units with argon-filled airspaces maximize thermal performance by reducing conductive and convective heat transfers when louvers are in open position.



Operations



Thumbwheel

High-speed, self-reversing, suitable for limited spaces and accessible from one or both sides (available in black PVC or painted aluminum). ADA compliant.



Crank Handle

NEW faster-to-operate, self-reversing, removable metal crank with one or two sided operation. Suitable for all applications (available in white or gray). ADA compliant.



Aluminum Knob

NEW faster-to-operate, self-reversing knob, one or two sided operation, low profile is ideal for sliding doors where space is limited. ADA compliant.



Anti-ligature Knob

NEW faster-to-operate, self-reversing cone-shaped knob, one or two sided operation, ideal for mental health facilities (available in white, gray, or black PVC).



Electrical

Speedy, precise, remote controllable with timer/sun sensor options. Ideal for multiple panel and out-of-reach installations.



PLC Computerized System

Programmable, highly accurate, timer/sun sensor options, ideal for large scale projects and intelligent buildings. Can be connected to energy management systems.



Vision Control® Mini is a thinner louvered glazing solution that features a more streamlined construction and offers a 1" airspace that is ideal for sliding doors and interior window retrofit applications with glass pocket depths as narrow as 1¼".



Vision Control® with Pilkington Pyrostop® or FireLite Plus® Glazing

A UL-listed solution that combines Vision Control® integrated cord-free louvers and Pilkington Pyrostop® fire-rated glazing from Technical Glass Products meets a long standing need for fire-rated louvered systems in healthcare environments. This hermetically sealed system with fire retardant capabilities provides unprecedented privacy control with fire-ratings of 45, 60 and 90 minutes for doors, windows, transoms and sidelights.



NEW Fire-rated trims – Specialized steel trims for doors provide 20-minute fire protection with the use of Firelite Plus® glazing by Technical Glass Products.





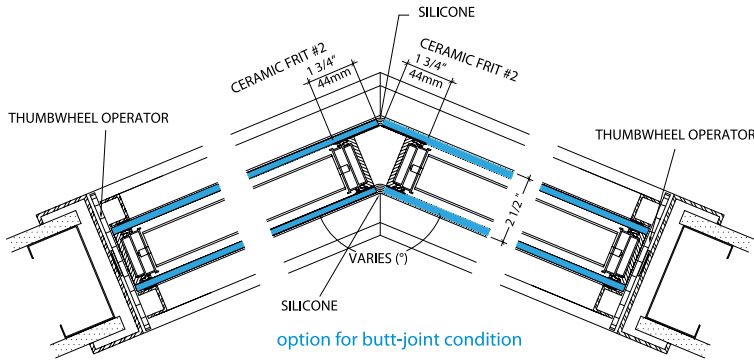
Notre-Dame Hospital, Montreal, QC

Vision Control® for Exterior Windows, Skylights and Curtain Walls

- Blocks excessive solar heat to reduce air conditioning costs
- Protects against fading from damaging ultraviolet rays and eliminates unwanted glare
- Provides variable shading coefficients
- Provides ideal solution for slope glazing in skylights
- Eliminates the sagging or bending that occurs in traditional shading systems
- Ensures incomparable comfort
- Delivers higher energy-saving performance throughout the year
- Attenuates exterior noise
- Eliminates cleaning and maintenance
- Serves as light shelf to reflect light deeper into interior space, reducing the need for artificial lighting
- Features a new curtain wall adapter – a laboratory-tested aluminum adapter profile for exterior applications that seamlessly transitions required thicknesses of Vision Control® into standard 1" curtain wall glass pockets without the need for modification.



Vision Control® for Interior Windows, Partitions and Alcoves

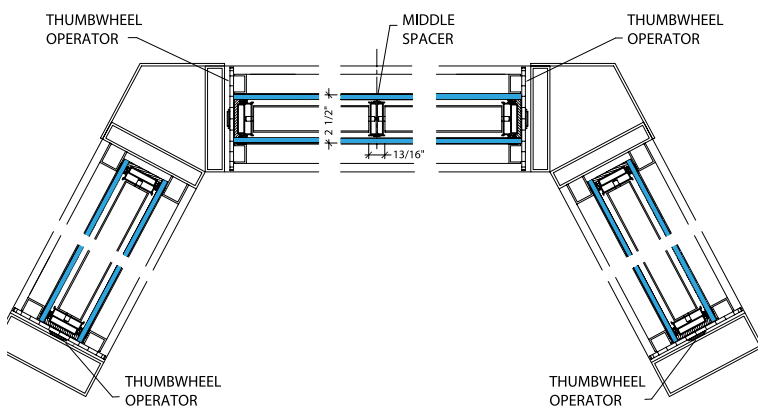


2-Panel Alcove

Walls are angled so that each uses a single Vision Control® glass unit. To maximize visibility, panels can be butt-glazed together for a streamlined effect avoiding bulky vertical post.



McLeod Regional Medical Center, Florence, SC



3-Panel Alcove

Central glass panel is comprised of a double Vision Control® unit and louvers are separated in the center by a vertical intermediate spacer located inside the air cavity. This allows right and left half panels to be controlled independently.

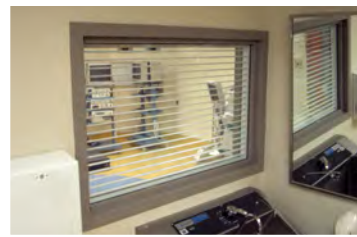
Please visit unicelarchitectural.com to view additional layout options for nurses' stations.



William Beaumont Hospital, Troy, MI

Medical staff can monitor two separate patient rooms from a single alcove.

Open View



Closed View



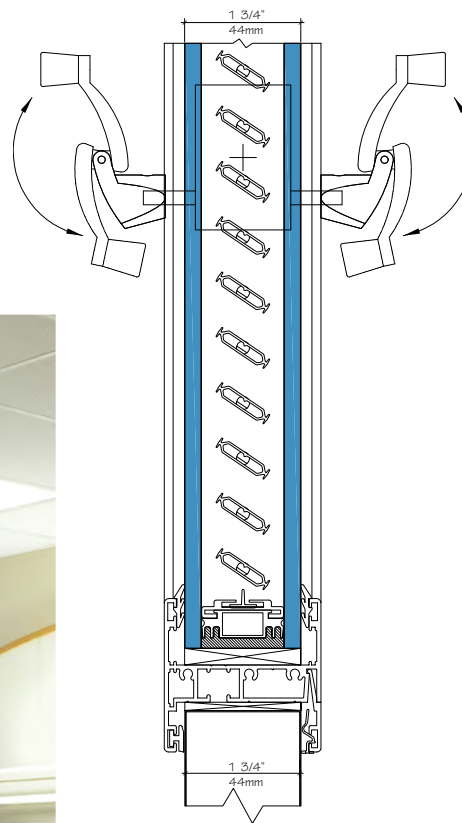
Rex Surgery Center, Cary, NC

Vision Control® for Hinged or Pivoted Doors

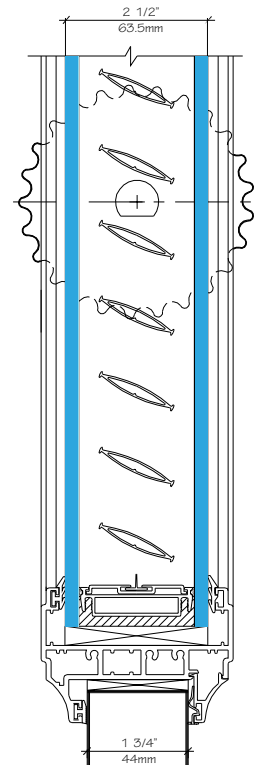
Patients need a tranquil and stress-free environment in order to heal. Curtains, shades and blinds can flap and rustle constantly with the opening and closing of doors causing unnecessary noise and disruption. Vision Control® helps ensure calm and uncluttered surroundings for patients to recuperate without disturbance.

Vision Control® can be adapted for insertion into 1 3/4" thick swing doors of all types - wood, steel or aluminum.

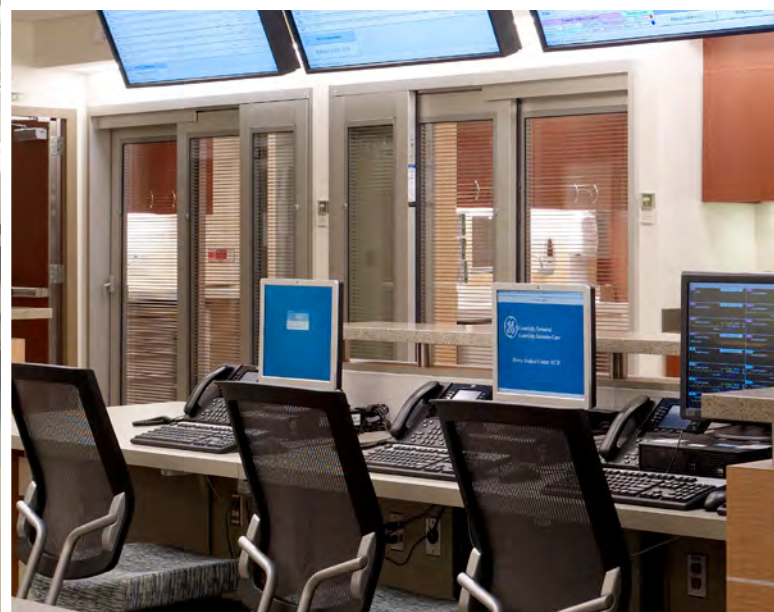
Crank Handle



Thumbwheel



Swing Doors

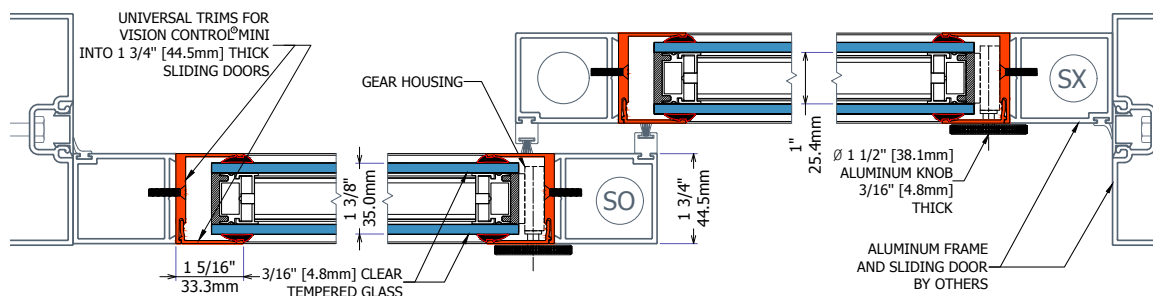
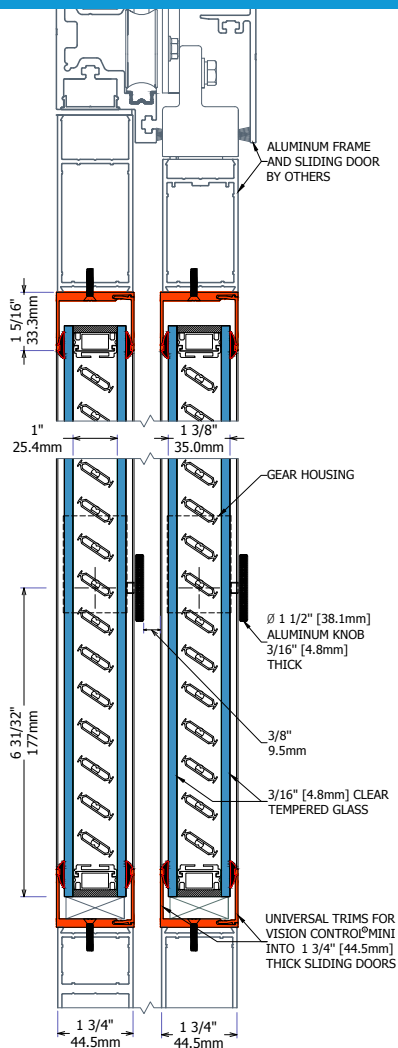


Vision Control® Mini for Sliding Doors

Sliding doors move incessantly, especially in ICUs where critical patients require constant care from nursing staff. This continuous movement demands vision panels that will maintain a desired blade positioning at all times. Vision Control® Mini features cordless and perfectly aligned louvers that deliver the uniformity and precision required for fixed blade positioning regardless of activity.

Unicel provides a Universal Door Trim Kit designed to adapt to any 1 3/4" thick sliding doors. Made of extruded aluminum, it allows the Vision Control® Mini to be installed into any sliding door structure with maximum ease and minimal effort.

Vision Control® Mini's knob operator is designed to allow adjacent doors to interact seamlessly and without obstruction. Thumbwheel operators are also available for high-speed tilting.



Sliding Doors





About Unicel Architectural

For 50 years, Unicel Architectural has built a reputation for the most advanced aluminum and glass solutions. These solutions encompass louvered glazing, skylights and more, to enhance major global construction initiatives with utmost quality and reliability. With its proprietary technology, Unicel's Vision Control® delivers unprecedented comfort and control of vision, light, temperature and sound with a patented combination of louvers between glass that are hermetically sealed and cordless. Unicel's solutions are guaranteed for longevity, optimized for energy efficiency, and customizable to any design, environmental or cultural requirements. Unicel combines its market leading know-how with great design to ensure optimal aesthetics and sustainable performance.

