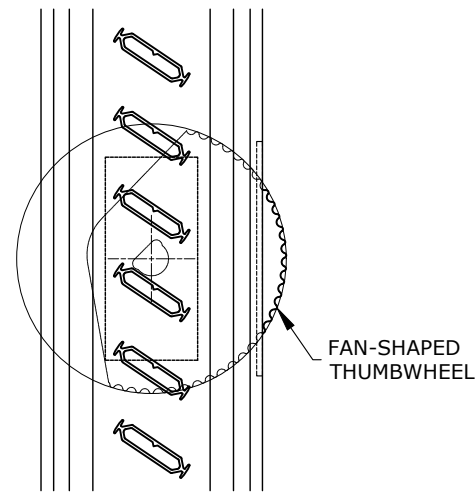


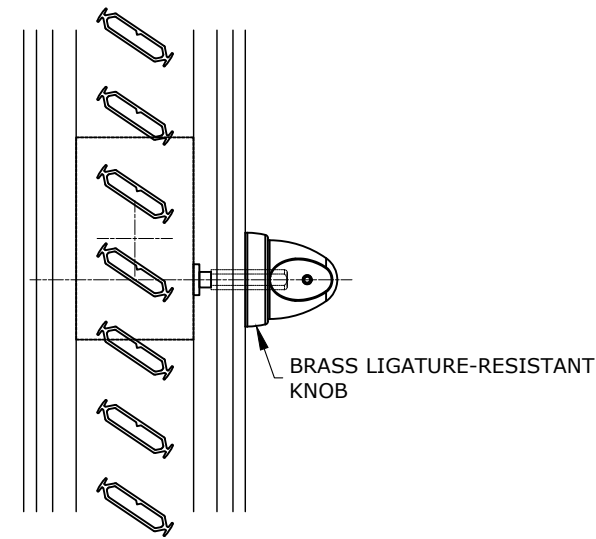
THUMBWHEEL

○ THUMBWHEEL
ACCESSIBLE ON BOTH SIDES



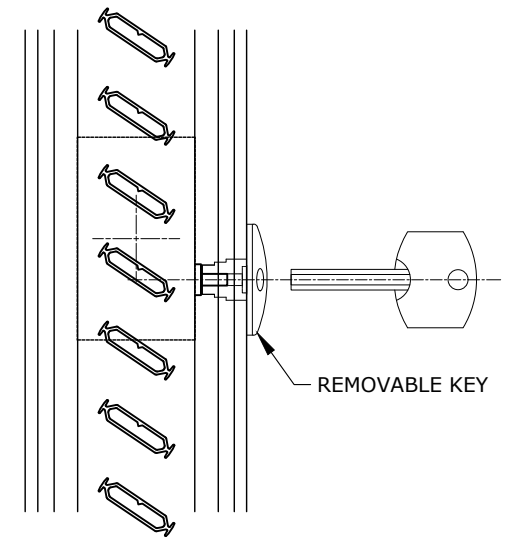
FAN-SHAPED THUMBWHEEL

○ FAN-SHAPED THUMBWHEEL
ACCESSIBLE ON ONE SIDE



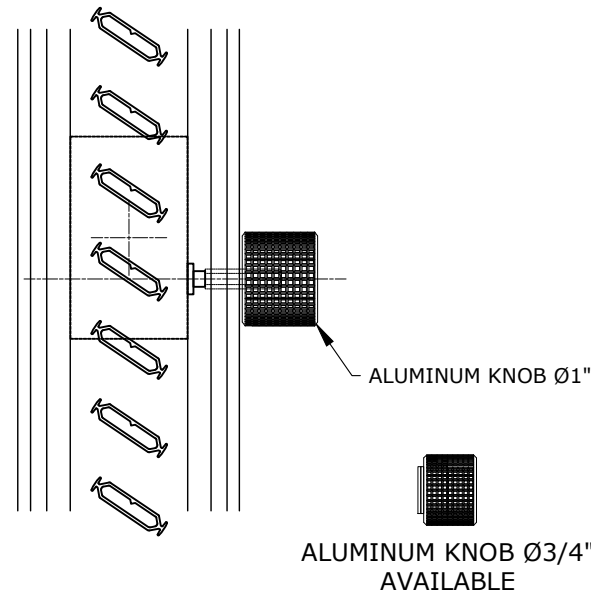
BRASS LIGATURE-RESISTANT KNOB

○ BRASS LIGATURE-RESISTANT KNOB
ACCESSIBLE ON 1 OR 2 SIDES



REMOVABLE KEY

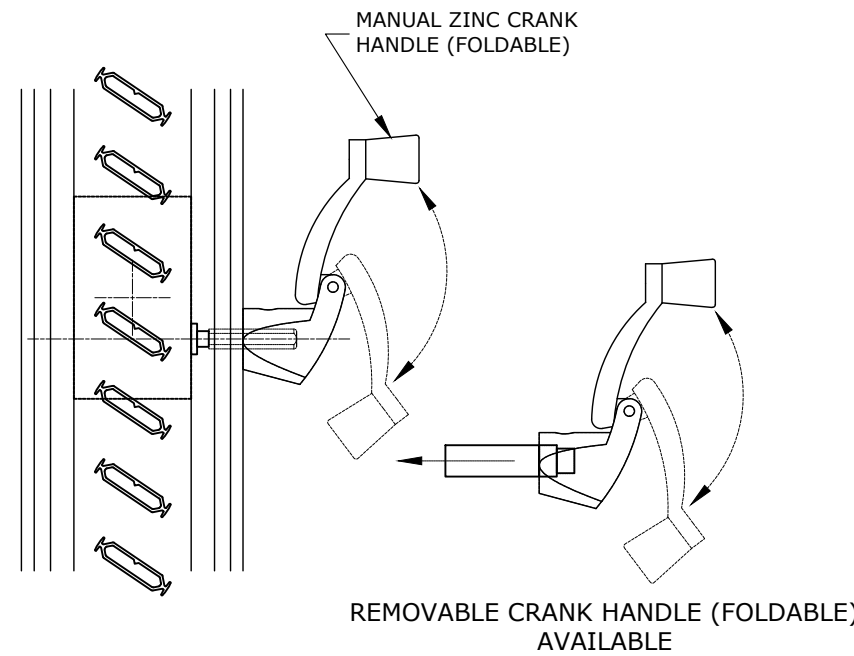
○ REMOVABLE KEY
ACCESSIBLE ON 1 OR 2 SIDES



ALUMINUM KNOB Ø1"

ALUMINUM KNOB Ø3/4"
AVAILABLE

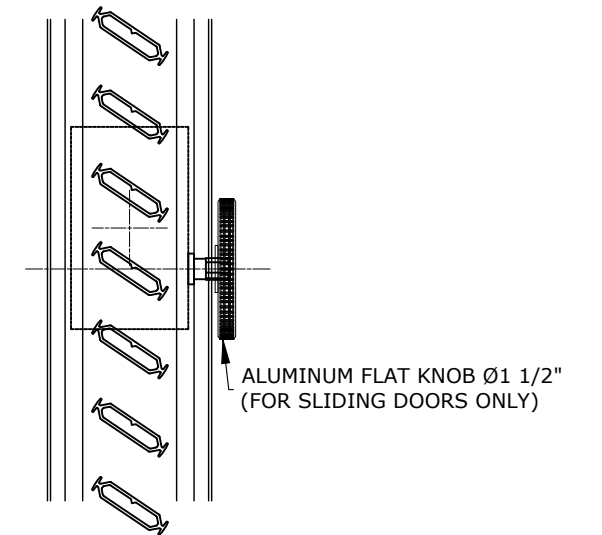
○ ALUMINUM KNOB
ACCESSIBLE ON 1 OR 2 SIDES



MANUAL ZINC CRANK HANDLE (FOLDABLE)

REMOVABLE CRANK HANDLE (FOLDABLE)
AVAILABLE

○ ZINC CRANK HANDLE
ACCESSIBLE ON 1 OR 2 SIDES



ALUMINUM FLAT KNOB Ø1 1/2"
(FOR SLIDING DOORS ONLY)

○ ALUMINUM FLAT KNOB Ø1 1/2"
(FOR SLIDING DOORS ONLY)