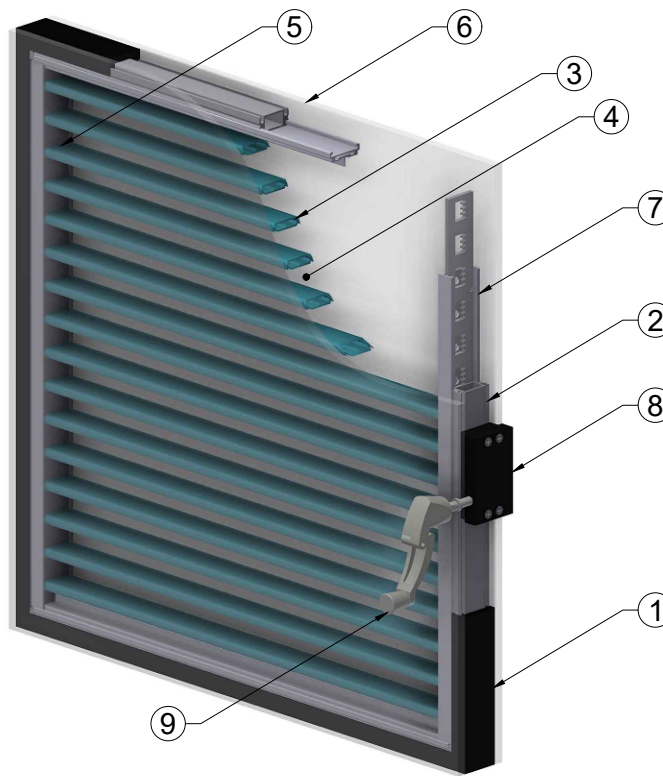
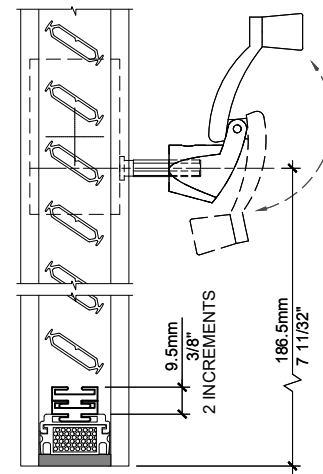
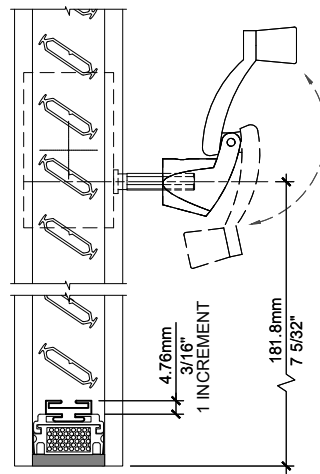
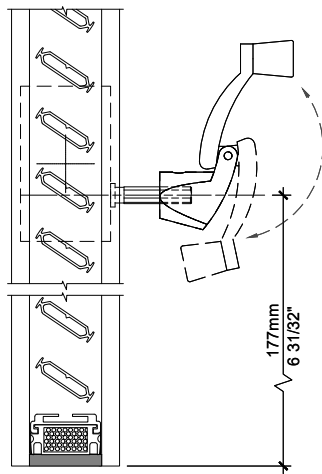
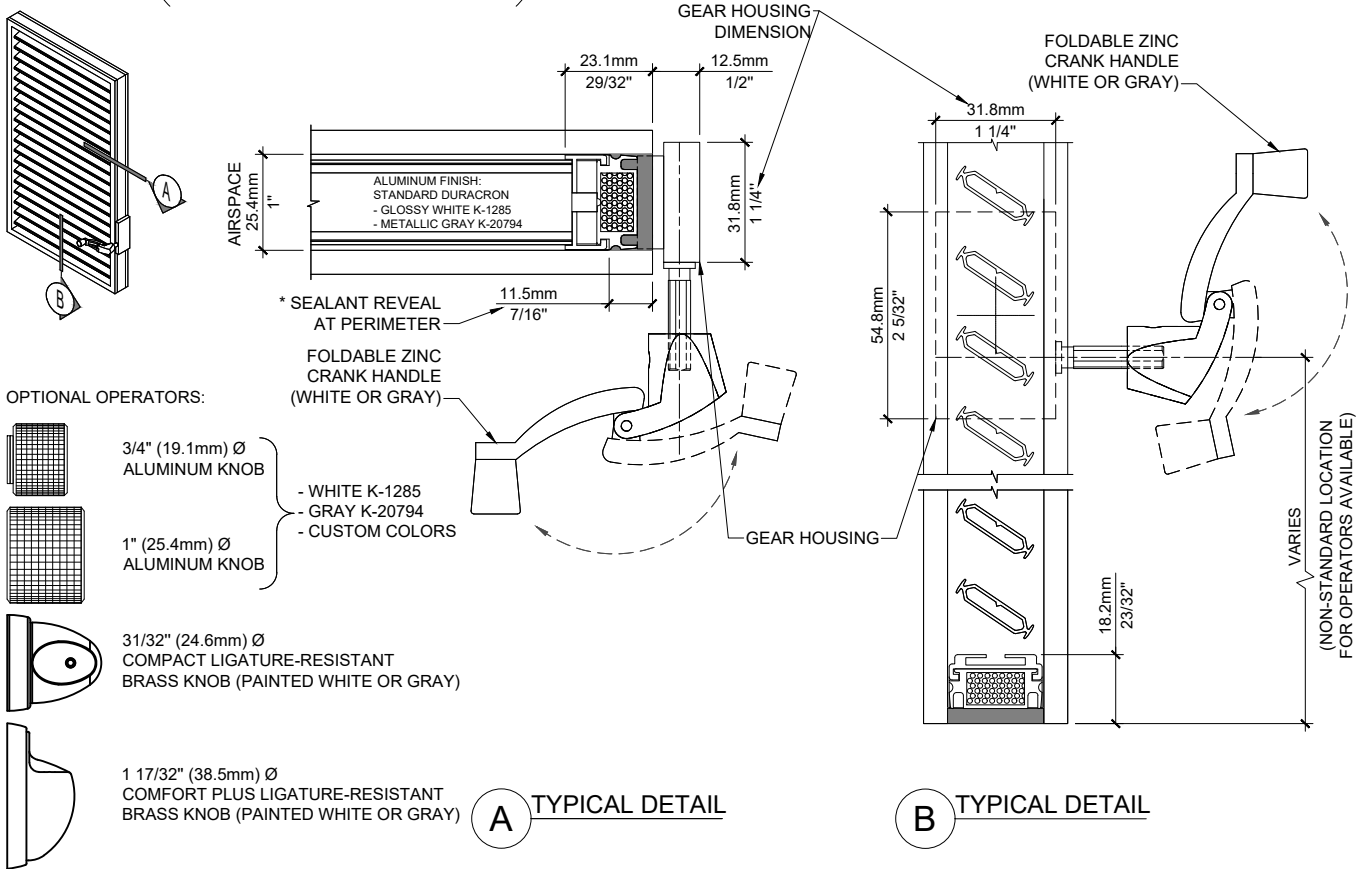


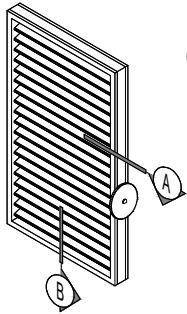
- ① A primary seal made of polyisobutylene is used for its high resistance against ultraviolet rays and is combined to a secondary seal made of high quality silicone.
- ② The tubular profile contains a highly effective drying agent, providing moisture-free airspace between glass panels.
- ③ The unique hollow-chambered louvers provide maximum rigidity and strength and maintain the parallel alignment of the blades for utmost privacy and light control.
- ④ The 1 1/4" (31.8mm) dehydrated airspace reduces noise, providing sound attenuation superior to insulating glass units with standard airspaces. 1" (25.4mm) airspace available.
- ⑤ All pivots, pinions, and racks are made of u.v. stabilized material to ensure dimensional stability and durability; never needing lubrication.
- ⑥ Various glazing products and polycarbonates are available according to applications and project needs.
- ⑦ The rack is made of corrosion-resistant aluminum.
- ⑧ The gear housing (for crank handles, thumbwheels, knobs and motors) is mechanically attached to the frame.
- ⑨ The fingertip crank handles, thumbwheels and knobs operators are made of durable plastic, zinc, brass or aluminum. They are easy to rotate and require no maintenance.



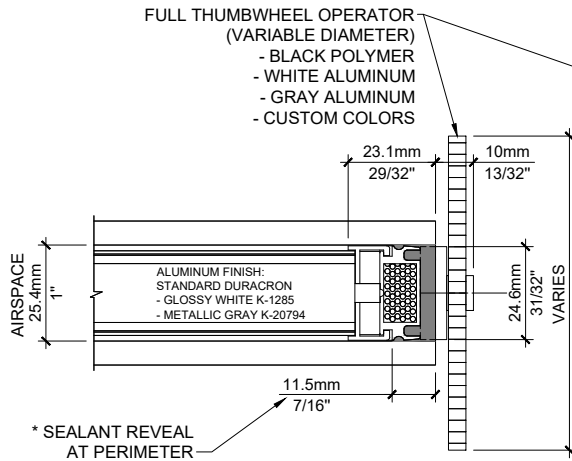
(LOUVERS BETWEEN INSULATING GLASS
MANUALLY OPERATED
OPTION: ELECTRICALLY OPERATED)



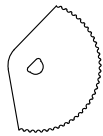
REFER TO STANDARD GLASS SIZES FOR HEIGHTS ON PAGE VC MINI 1.5



(LOUVERS BETWEEN INSULATING GLASS
MANUALLY OPERATED
OPTION: ELECTRICALLY OPERATED)

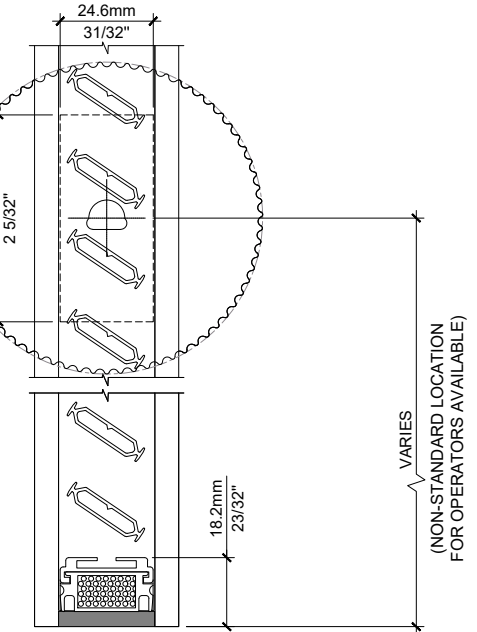


OPTIONAL OPERATOR:

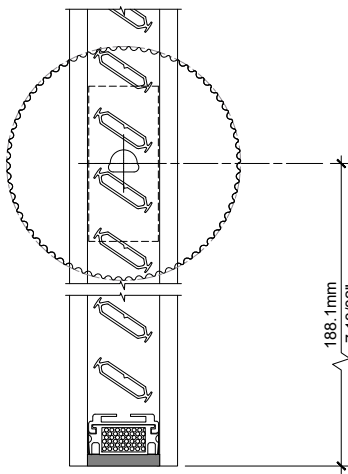


FAN-SHAPED THUMBWHEEL OPERATOR (VARIABLE DIAMETER)
- BLACK POLYMER
- WHITE ALUMINUM
- GRAY ALUMINUM
- CUSTOM COLORS

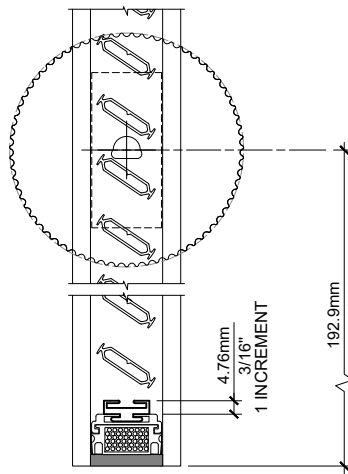
A TYPICAL DETAIL



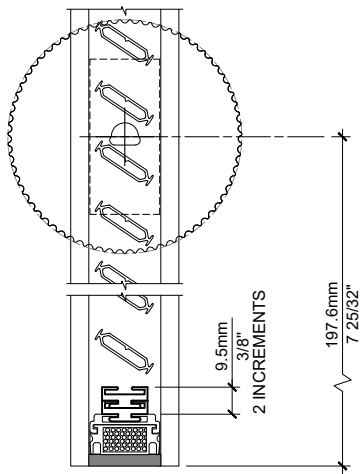
B TYPICAL DETAIL



B₁ STANDARD HEIGHT



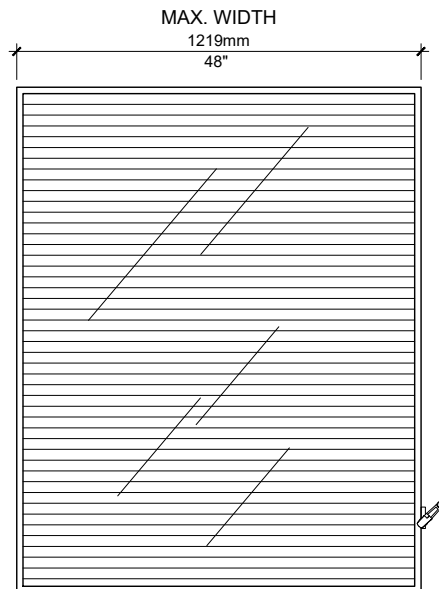
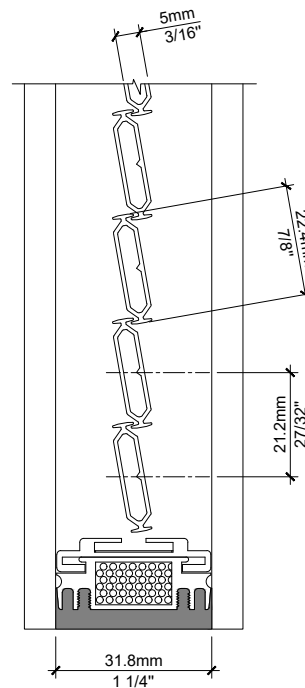
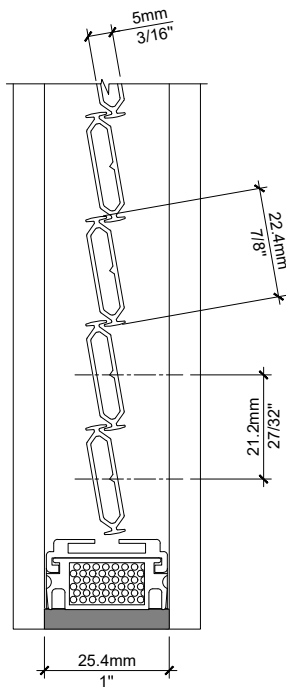
B₂ NON-STANDARD HEIGHT



B₃ NON-STANDARD HEIGHT

REFER TO STANDARD GLASS SIZES FOR HEIGHTS ON PAGE VC MINI 1.5

- VISION CONTROL® MINI GLASS PANELS ARE MADE WITH INTERLOCKING BLADES, OFFERING TOTAL PRIVACY AND OPTIMAL LIGHT CONTROL WHEN CLOSED
- GLASS SIZE LIMITATIONS AND THICKNESSES TO BE DETERMINED BY UNICEL ARCHITECTURAL'S ENGINEERING DEPARTMENT
- TWO AIRSPACE THICKNESSES ARE AVAILABLE: 1" AND 1 1/4" (25.4mm AND 31.8mm)



MINIMUM GLASS SIZE

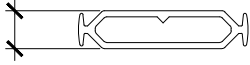
MINIMUM WIDTH	3 3/4 in. = 95.3 mm
---------------	---------------------

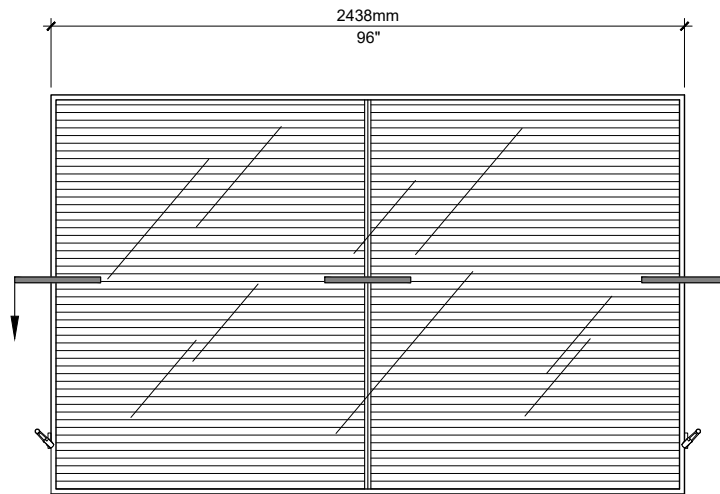
MAXIMUM GLASS SIZE

MAXIMUM AREA	MAXIMUM WIDTH
4608 in. ² = 2.97 m ²	48 in. = 1219 mm

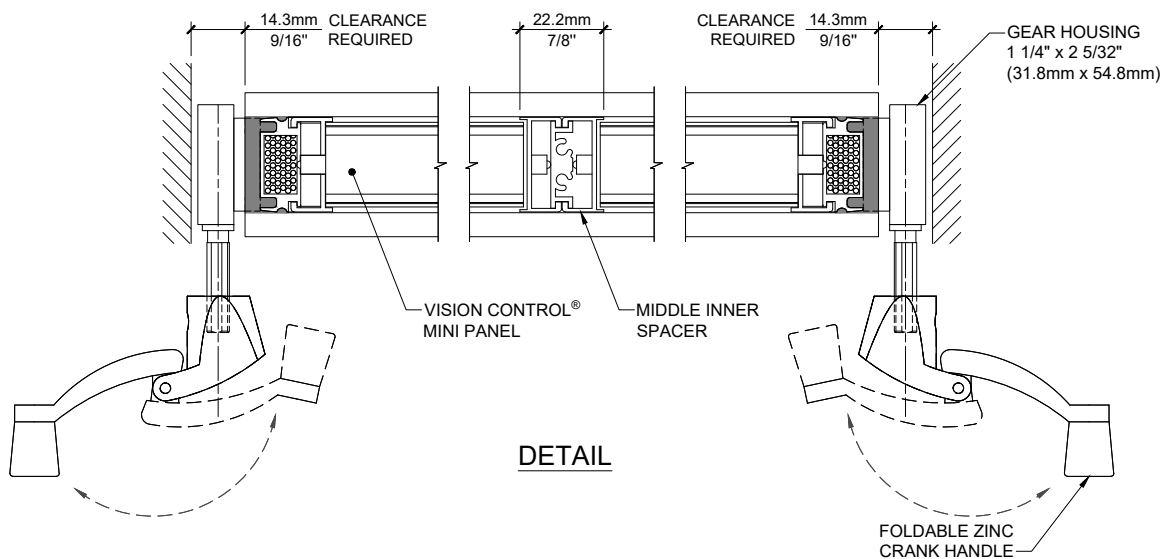
* If required size is outside of feasibility range, please contact Unicel Architectural for special arrangements.

MIDDLE INNER SPACER FOR INTERMEDIATE LOUVER SUPPORT

MAXIMUM GLASS WIDTH	BLADE TYPE
96" (2438mm)	3/16" (5mm) 



ELEVATION



DETAIL

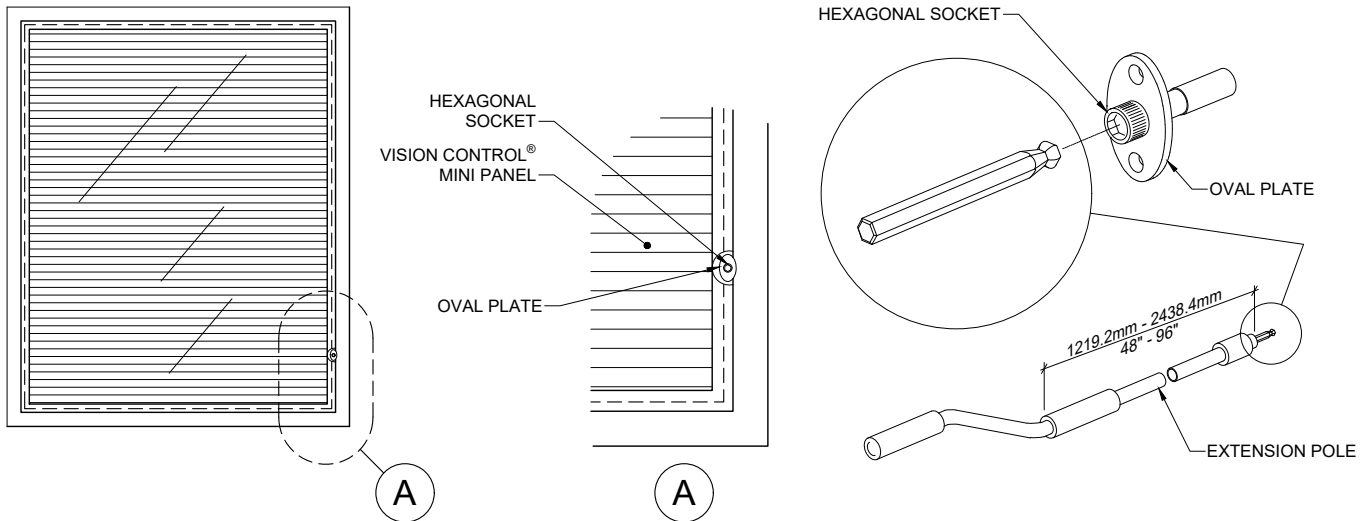
STANDARD GLASS SIZES FOR HEIGHTS* (FOR HORIZONTAL LOUVERS ONLY)**

# BLADES	IMPERIAL (")	METRIC (mm)	# BLADES	IMPERIAL (")	METRIC (mm)	# BLADES	IMPERIAL (")	METRIC (mm)
3	4 1/16	103.2	51	44 1/8	1120.8	99	84 3/16	2138.4
4	4 29/32	124.6	52	44 31/32	1142.2	100	85 1/32	2159.8
5	5 23/32	145.3	53	45 25/32	1162.8	101	85 27/32	2180.4
6	6 9/16	166.7	54	46 5/8	1184.3	102	86 11/16	2201.9
7	7 13/32	188.1	55	47 15/32	1205.7	103	87 17/32	2223.3
8	8 7/32	208.8	56	48 9/32	1226.3	104	88 11/32	2243.9
9	9 1/16	230.2	57	49 1/8	1247.8	105	89 3/16	2265.4
10	9 29/32	251.6	58	49 31/32	1269.2	106	90 1/32	2286.8
11	10 3/4	273.1	59	50 13/16	1290.6	107	90 7/8	2308.2
12	11 9/16	293.7	60	51 5/8	1311.3	108	91 11/16	2328.9
13	12 13/32	315.1	61	52 15/32	1332.7	109	92 17/32	2350.3
14	13 1/4	336.6	62	53 5/16	1354.1	110	93 3/8	2371.7
15	14 1/16	357.2	63	54 1/8	1374.8	111	94 3/16	2392.4
16	14 29/32	378.6	64	54 31/32	1396.2	112	95 1/32	2413.8
17	15 3/4	400.1	65	55 13/16	1417.6	113	95 7/8	2435.2
18	16 19/32	421.5	66	56 21/32	1439.1	114	96 23/32	2456.7
19	17 13/32	442.1	67	57 15/32	1459.7	115	97 17/32	2477.3
20	18 1/4	463.6	68	58 5/16	1481.1	116	98 3/8	2498.7
21	19 3/32	485.0	69	59 5/32	1502.6	117	99 7/32	2520.2
22	19 29/32	505.6	70	59 31/32	1523.2	118	100 1/32	2540.8
23	20 3/4	527.1	71	60 13/16	1544.6	119	100 7/8	2562.2
24	21 19/32	548.5	72	61 21/32	1566.1	120	101 23/32	2583.7
25	22 13/32	569.1	73	62 15/32	1586.7	121	102 17/32	2604.3
26	23 1/4	590.6	74	63 5/16	1608.1	122	103 3/8	2625.7
27	24 3/32	612.0	75	64 5/32	1629.6	123	104 7/32	2647.2
28	24 15/16	633.4	76	65	1651.0	124	105 1/16	2668.6
29	25 3/4	654.1	77	65 13/16	1671.6	125	105 7/8	2689.2
30	26 19/32	675.5	78	66 21/32	1693.1	126	106 23/32	2710.7
31	27 7/16	696.9	79	67 1/2	1714.5	127	107 9/16	2732.1
32	28 1/4	717.6	80	68 5/16	1735.1	128	108 3/8	2752.7
33	29 3/32	739.0	81	69 5/32	1756.6	129	109 7/32	2774.2
34	29 15/16	760.4	82	70	1778.0	130	110 1/16	2795.6
35	30 25/32	781.8	83	70 27/32	1799.4	131	110 29/32	2817.0
36	31 19/32	802.5	84	71 21/32	1820.1	132	111 23/32	2837.7
37	32 7/16	823.9	85	72 1/2	1841.5	133	112 9/16	2859.1
38	33 9/32	845.3	86	73 11/32	1862.9	134	113 13/32	2880.5
39	34 3/32	866.0	87	74 5/32	1883.6	135	114 7/32	2901.2
40	34 15/16	887.4	88	75	1905.0	136	115 1/16	2922.6
41	35 25/32	908.8	89	75 27/32	1926.4	137	115 29/32	2944.0
42	36 5/8	930.3	90	76 11/16	1947.9	138	116 3/4	2965.5
43	37 7/16	950.9	91	77 1/2	1968.5	139	117 9/16	2986.1
44	38 9/32	972.3	92	78 11/32	1959.9	140	118 13/32	3007.5
45	39 1/8	993.8	93	79 3/16	2011.4	141	119 1/4	3029.0
46	39 15/16	1014.4	94	80	2032.0	142	120 1/16	3049.6
47	40 25/32	1035.8	95	80 27/32	2053.4	143	120 29/32	3071.0
48	41 5/8	1057.3	96	81 11/16	2074.9	144	121 3/4	3092.5
49	42 7/16	1077.9	97	82 1/2	2095.5	145	122 19/32	3113.9
50	43 9/32	1099.3	98	83 11/32	2116.9	146	123 13/32	3134.5

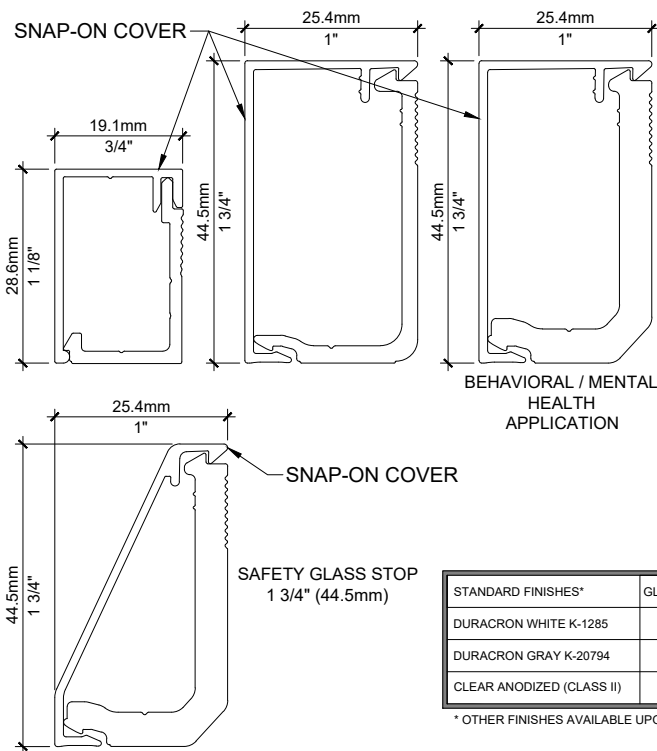
*NON-STANDARD GLASS HEIGHTS ARE ALSO AVAILABLE BY ADDING SERIES OF 3/16"(4.76mm) INCREMENTS TO ANY GIVEN STANDARD HEIGHT
(SEE PAGE VC MINI 1.2.1 & 1.2.2)

**FOR VERTICAL LOUVERS, THIS CHART CAN BE INTERPRETED AS STANDARD GLASS SIZES FOR WIDTHS

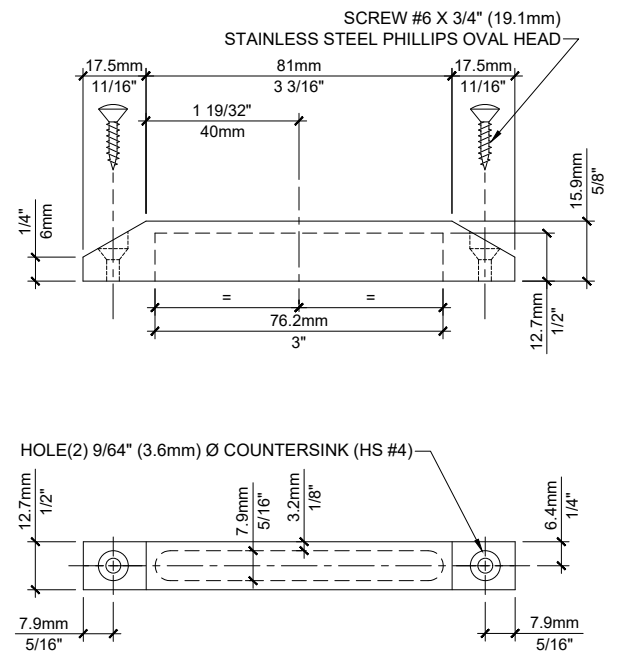
EXTENSION POLE FOR OUT-OF-REACH VISION CONTROL® MINI UNITS



GLASS STOPS

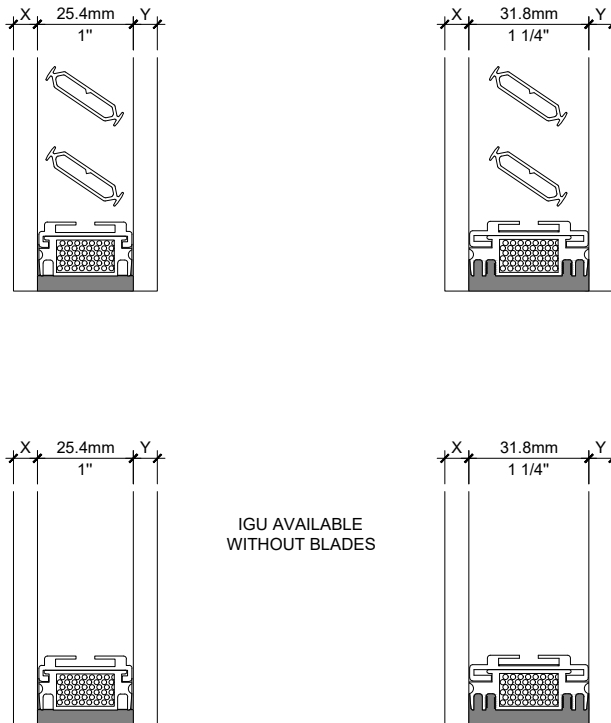


THUMBWHEEL COVER



SOUND CONTROL GLASS

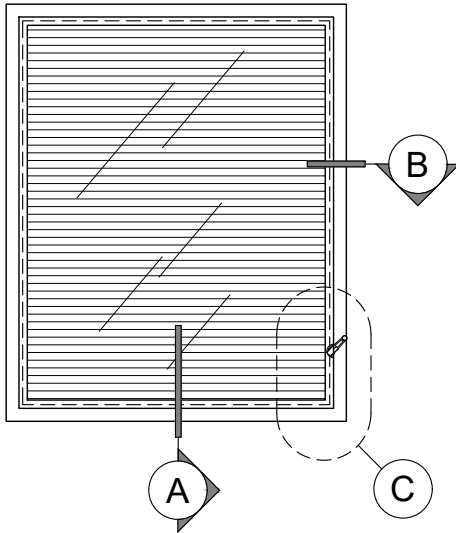
VISION CONTROL® MINI IS AVAILABLE WITH VARIOUS GLASS TYPES AND THICKNESSES WITH THE OPTION OF 1" (25.4mm) OR 1 1/4" (31.75mm) AIRSPACE, OFFERING EXCEPTIONAL SOUND DAMPING CHARACTERISTICS.



EXAMPLES OF STC RATINGS WITH VARYING GLASS CONFIGURATIONS			
GLASS LITE X	AIRSPACE	GLASS LITE Y	STC (ESTIMATED)
1/4" (6mm)	1" (25.4mm)	1/4" (6mm)	38
1/4" (6mm)	1 1/4" (31.8mm)	1/4" (6mm)	39
1/4" (6mm)	1" (25.4mm)	1/8" - .060" PVB - 1/8" (3mm - 1.6mm PVB - 3mm)	42
1/4" (6mm)	1" (25.4mm)	3/16" - .060" PVB - 3/16" (5mm - 1.6mm PVB - 5mm)	44
3/8" (10mm)	1" (25.4mm)	1/4" - .060" PVB - 1/4" (6mm - 1.6mm PVB - 6mm)	46
1/8" - .060" PVB - 1/8" (3mm - 1.6mm PVB - 3mm)	1" (25.4mm)	1/8" - .060" PVB - 1/8" (3mm - 1.6mm PVB - 3mm)	47
1/8" - .060" PVB - 1/8" (3mm - 1.6mm PVB - 3mm)	1 1/4" (31.8mm)	1/8" - .060" PVB - 1/8" (3mm - 1.6mm PVB - 3mm)	48

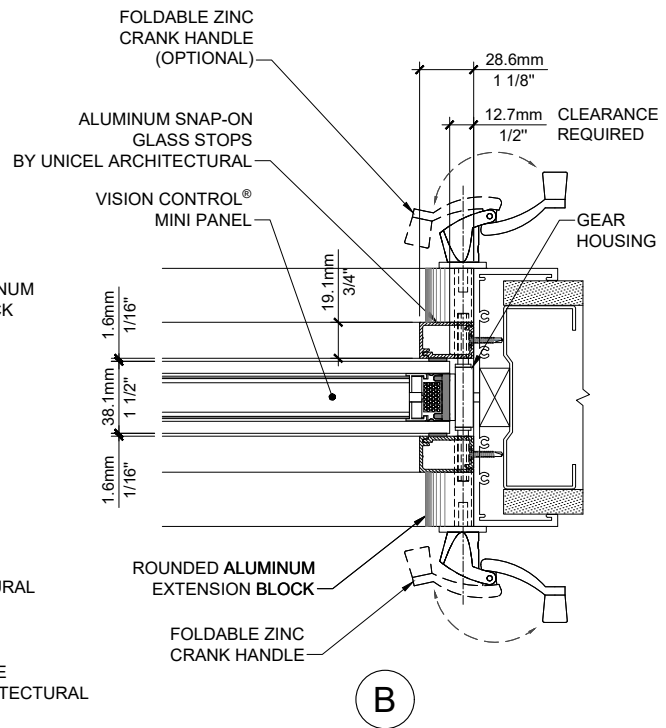
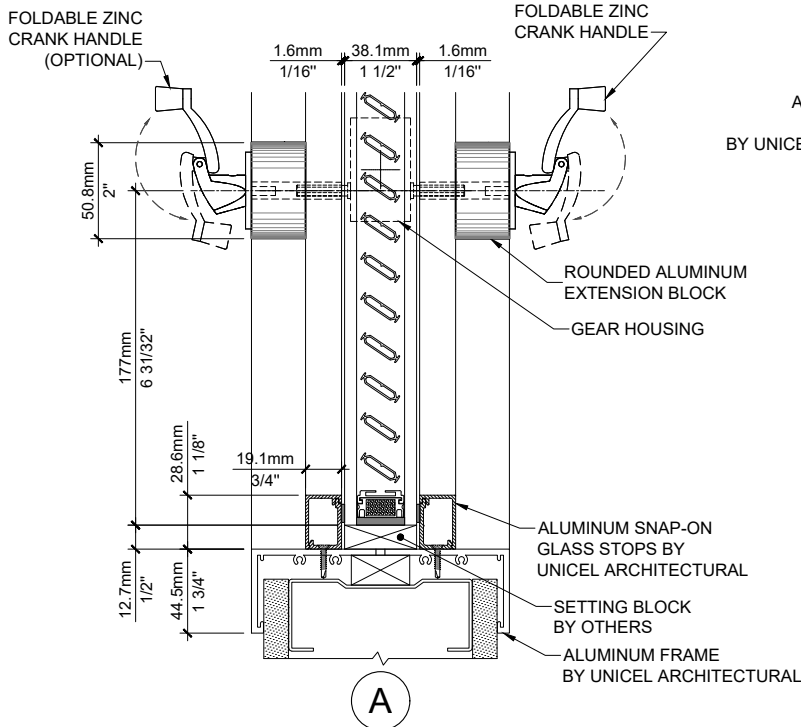
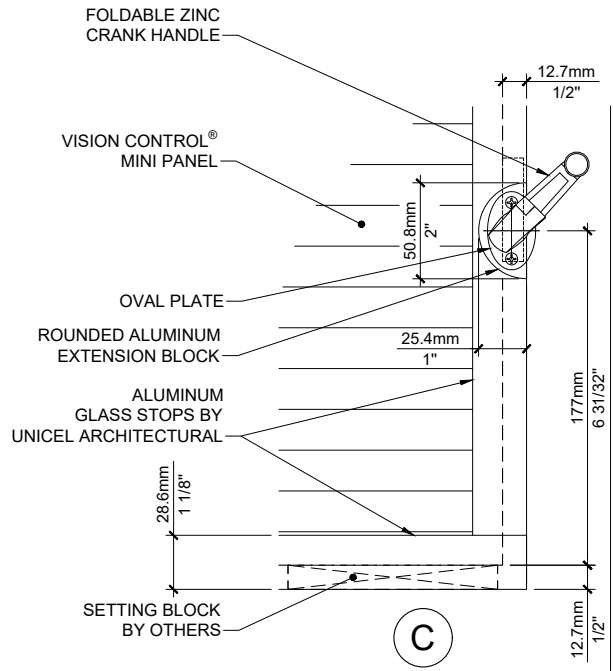
NOTE:
ALL DATA WERE ESTIMATED (DERIVED FROM TESTED SAMPLES COMPARABLE IN CONFIGURATION TO THOSE ABOVE) AND ARE NOT GUARANTEED FOR ALL SAMPLES OR APPLICATIONS.
ALL DATA SHOULD BE VERIFIED VIA TESTING THE ACTUAL WINDOW ASSEMBLY TO ASCERTAIN THE EFFECTS OF WINDOW FRAMES ON TOTAL WINDOW SYSTEM SOUND TRANSMISSION LOSS.

CRANK HANDLE OPERABLE ON ONE OR BOTH SIDE(S)

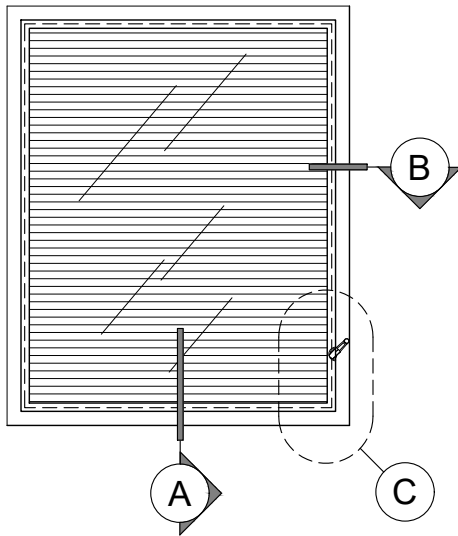


STANDARD FINISHES*	LOUVERS	GLASS STOPS
DURACRON WHITE K-1285	✓	✓
DURACRON GRAY K-20794	✓	✓
CLEAR ANODIZED (CLASS II)		✓

* OTHER FINISHES AVAILABLE UPON REQUEST.

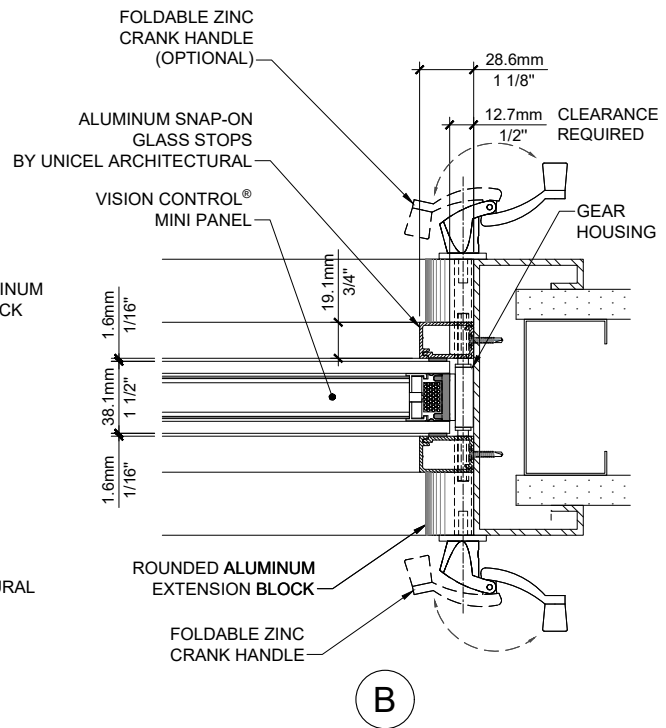
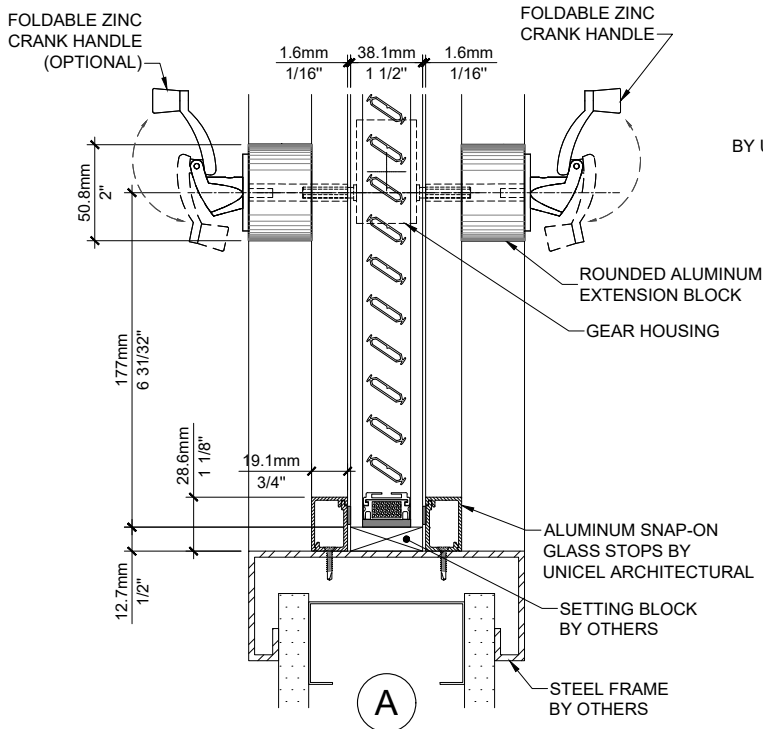
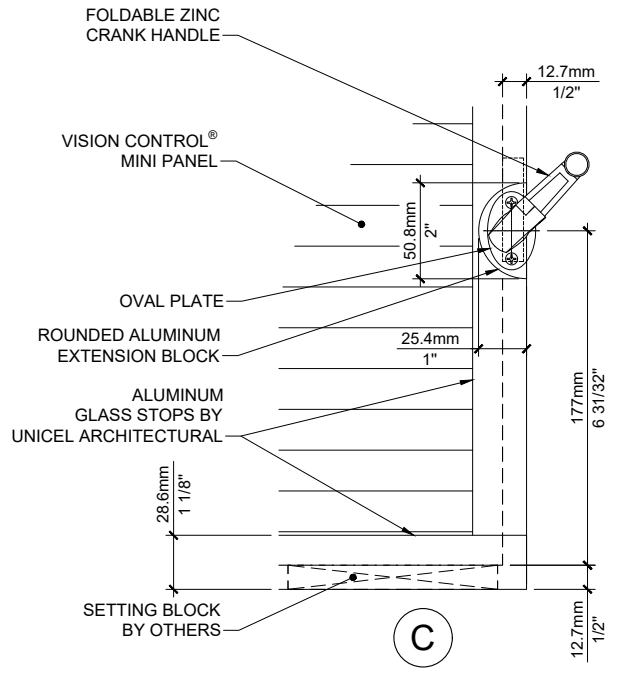


CRANK HANDLE OPERABLE ON ONE OR BOTH SIDE(S)



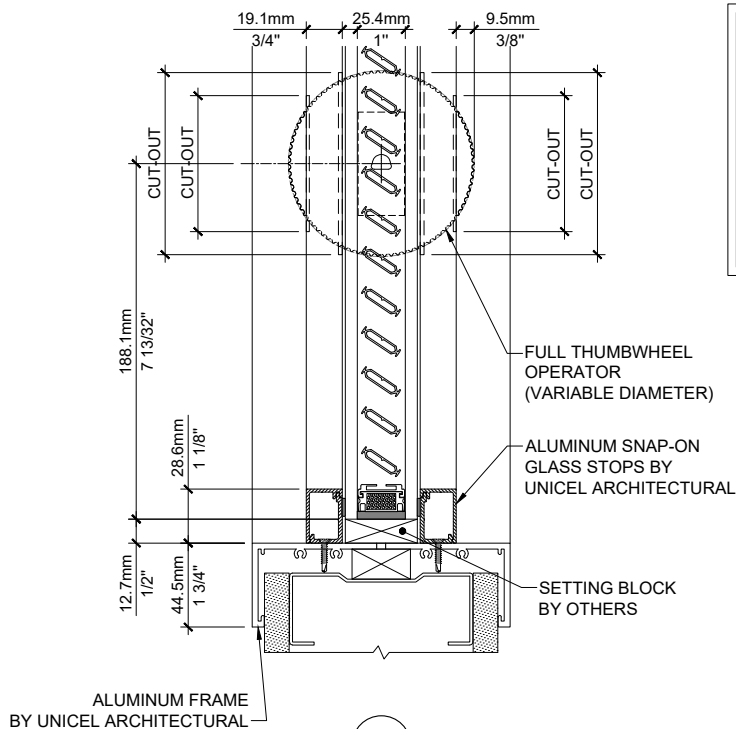
STANDARD FINISHES*	LOUVERS	GLASS STOPS
DURACRON WHITE K-1285	✓	✓
DURACRON GRAY K-20794	✓	✓
CLEAR ANODIZED (CLASS II)		✓

* OTHER FINISHES AVAILABLE UPON REQUEST.

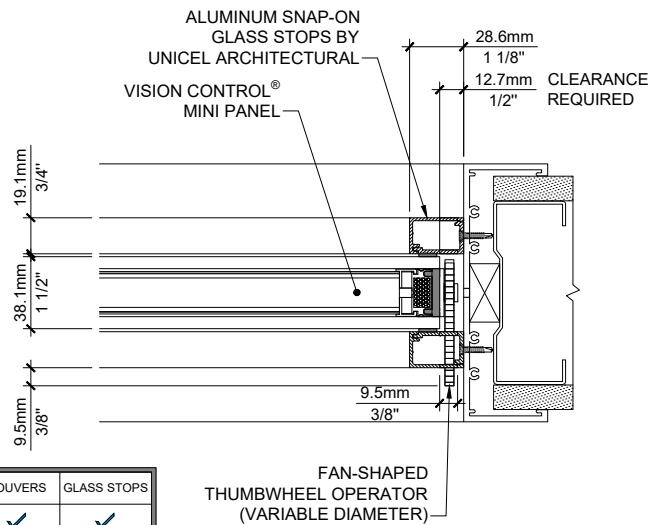
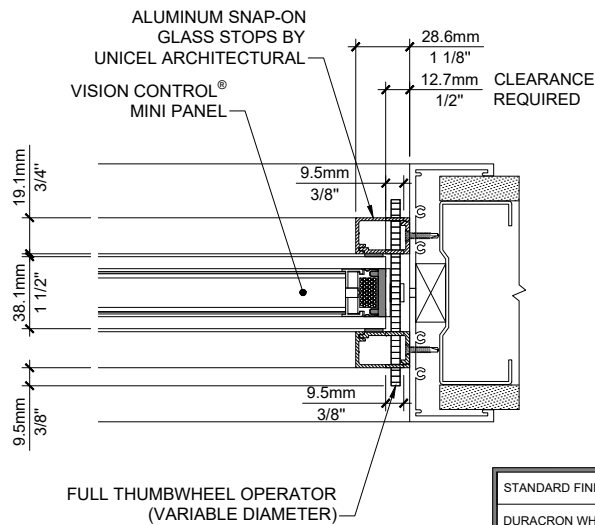
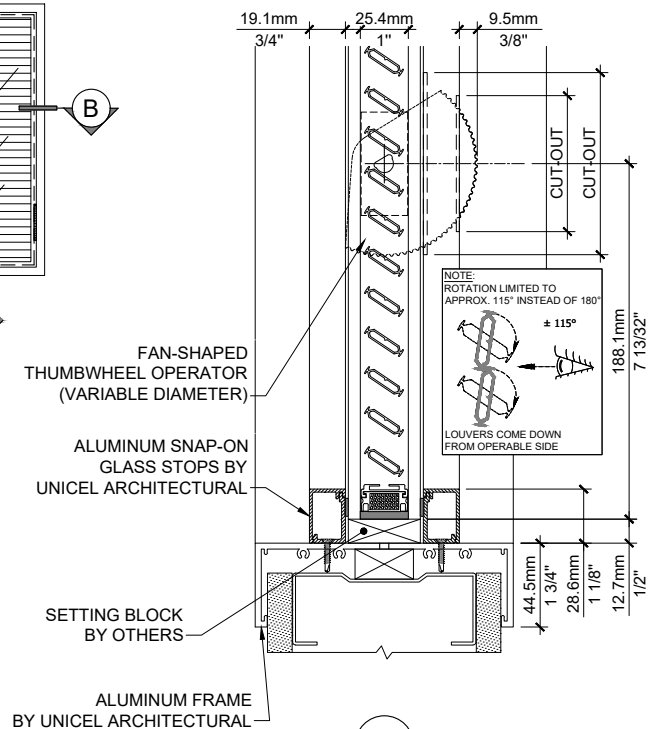


THUMBWHEEL OPERABLE ON ONE OR BOTH SIDE(S)

ACCESSIBLE ON BOTH SIDES



ACCESSIBLE ON ONE SIDE

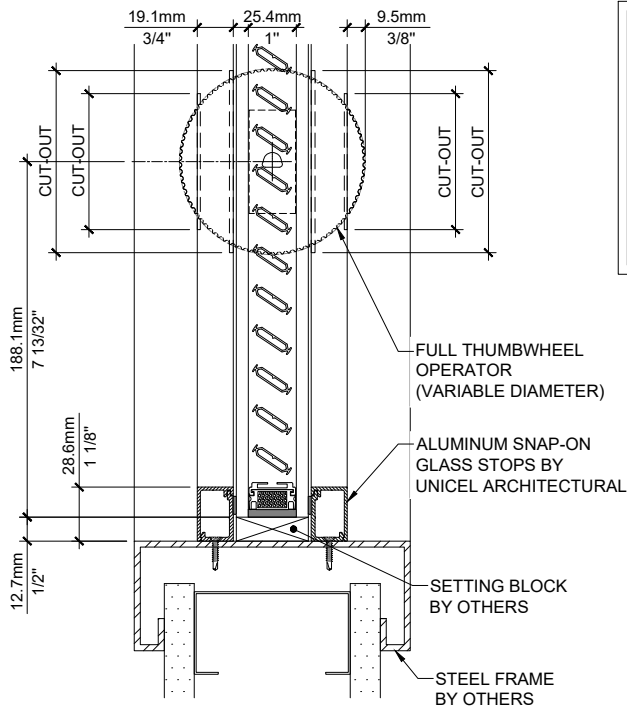


STANDARD FINISHES*	LOUVERS	GLASS STOPS
DURACRON WHITE K-1285	✓	✓
DURACRON GRAY K-20794	✓	✓
CLEAR ANODIZED (CLASS II)	✓	✓

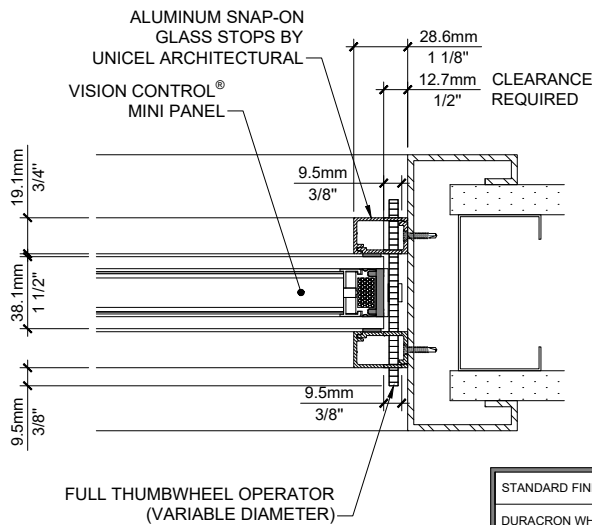
* OTHER FINISHES AVAILABLE UPON REQUEST.

THUMBWHEEL OPERABLE ON ONE OR BOTH SIDE(S)

ACCESSIBLE ON BOTH SIDES

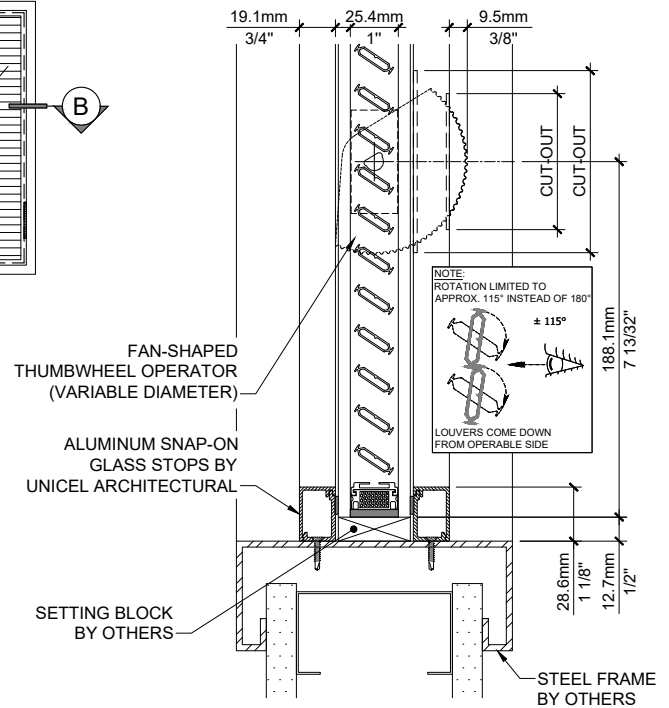


A

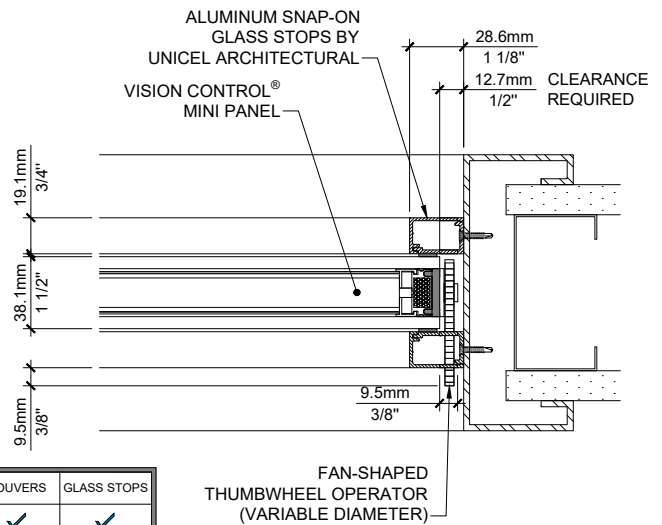


B

ACCESSIBLE ON ONE SIDE



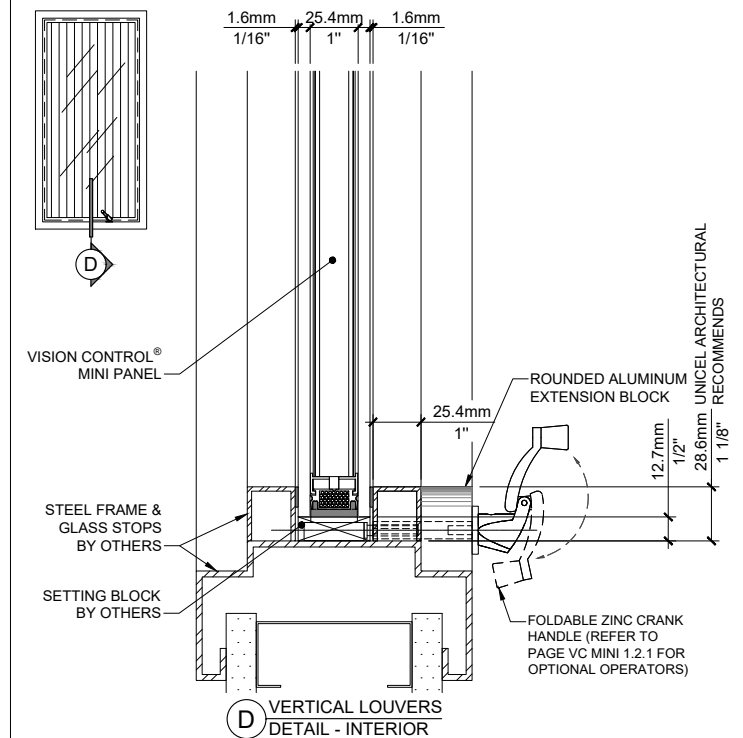
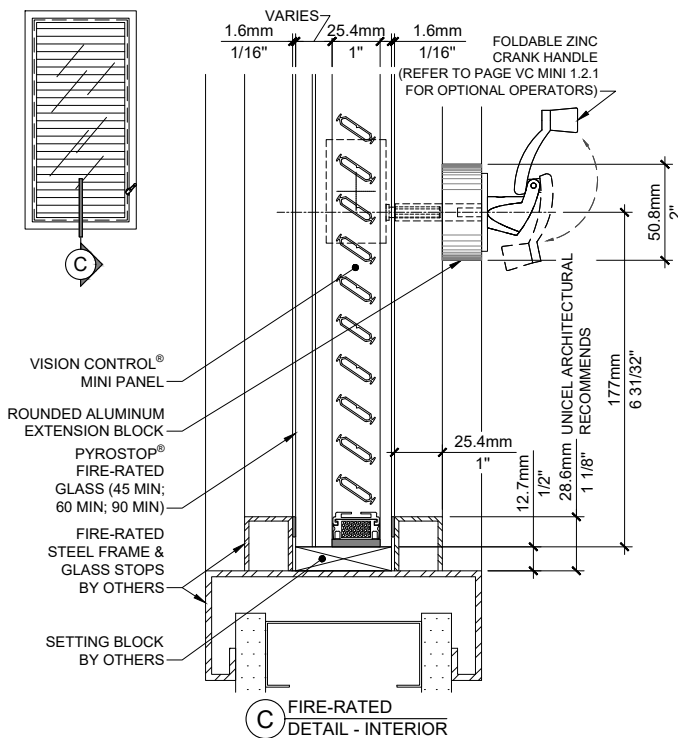
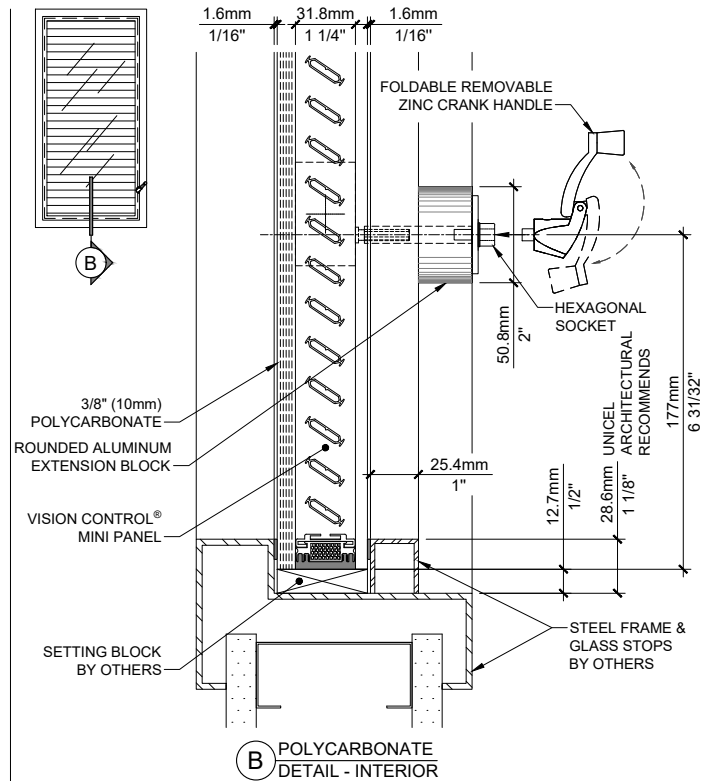
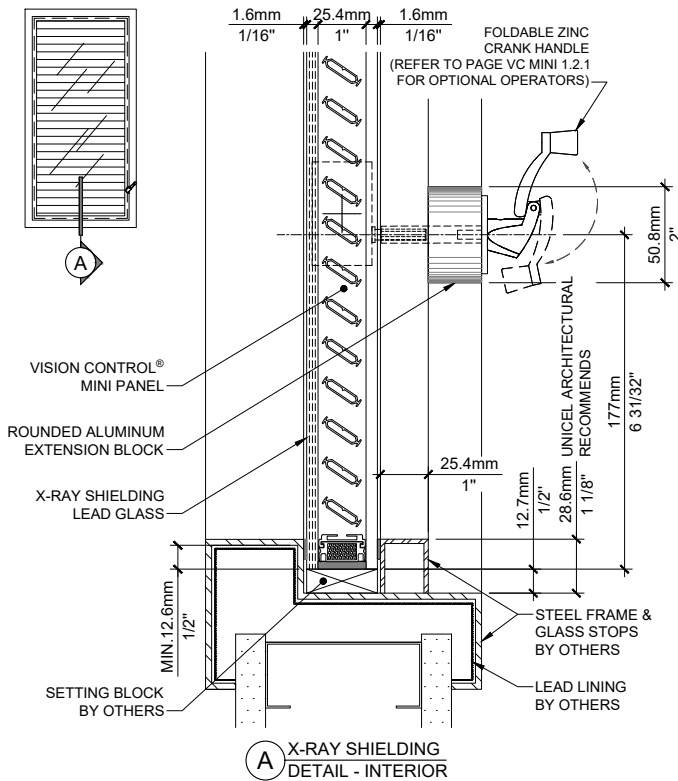
A

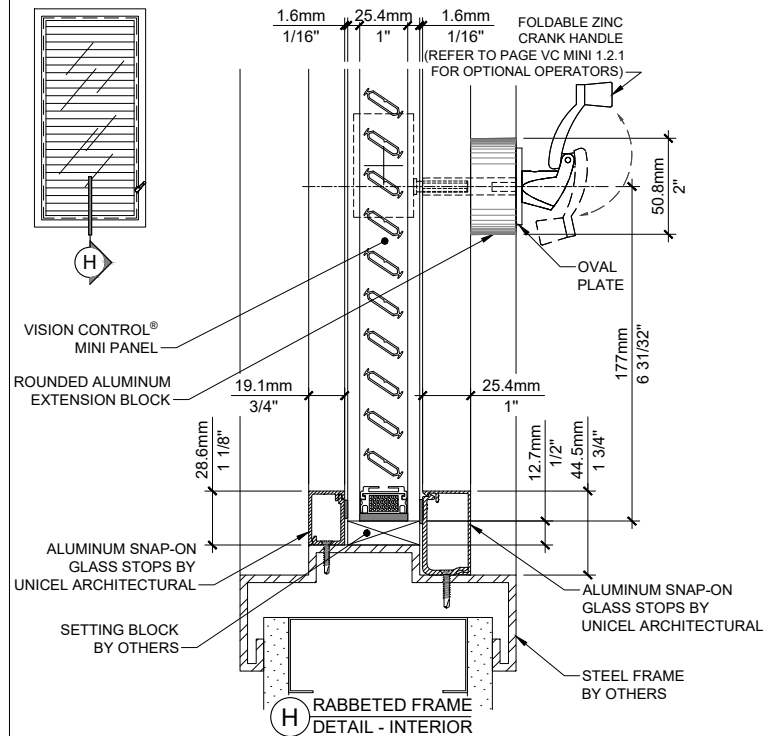
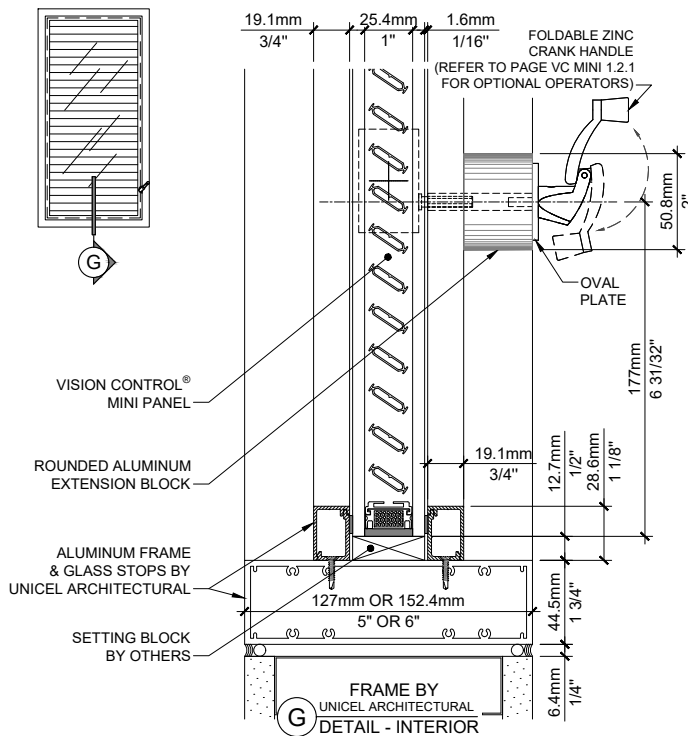
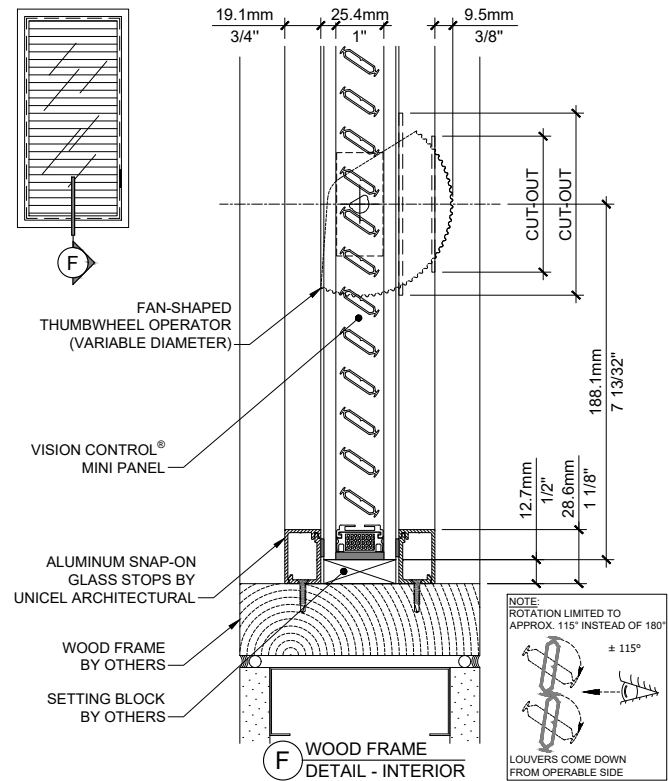
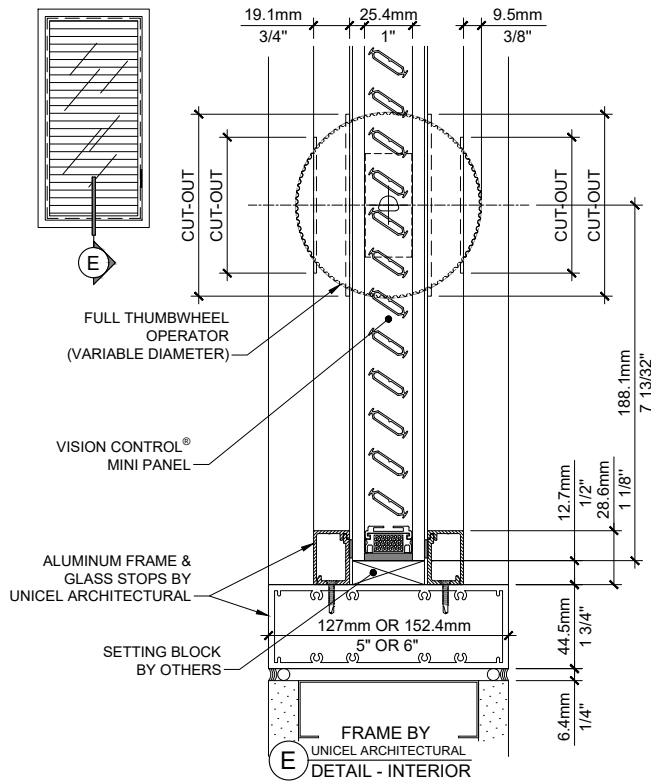


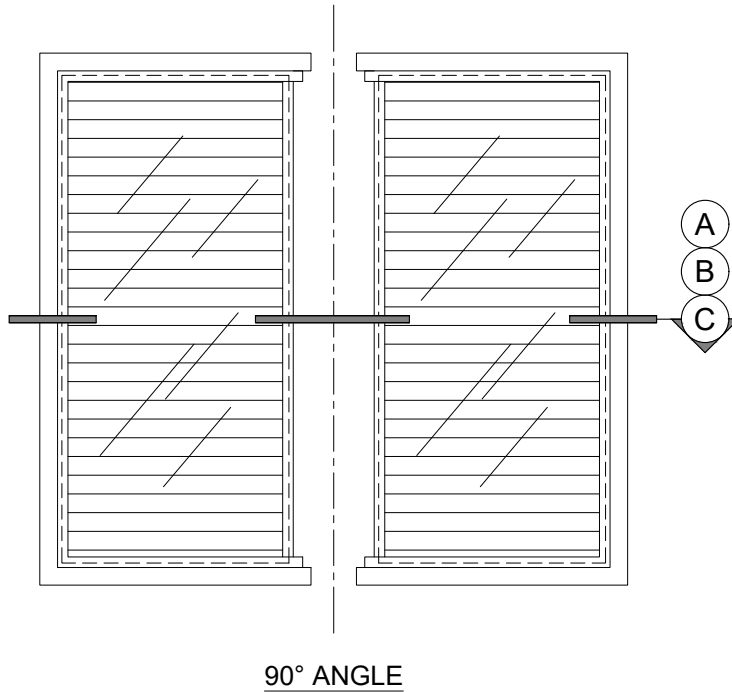
B

STANDARD FINISHES*	LOUVERS	GLASS STOPS
DURACRON WHITE K-1285	✓	✓
DURACRON GRAY K-20794	✓	✓
CLEAR ANODIZED (CLASS II)	✓	✓

* OTHER FINISHES AVAILABLE UPON REQUEST.



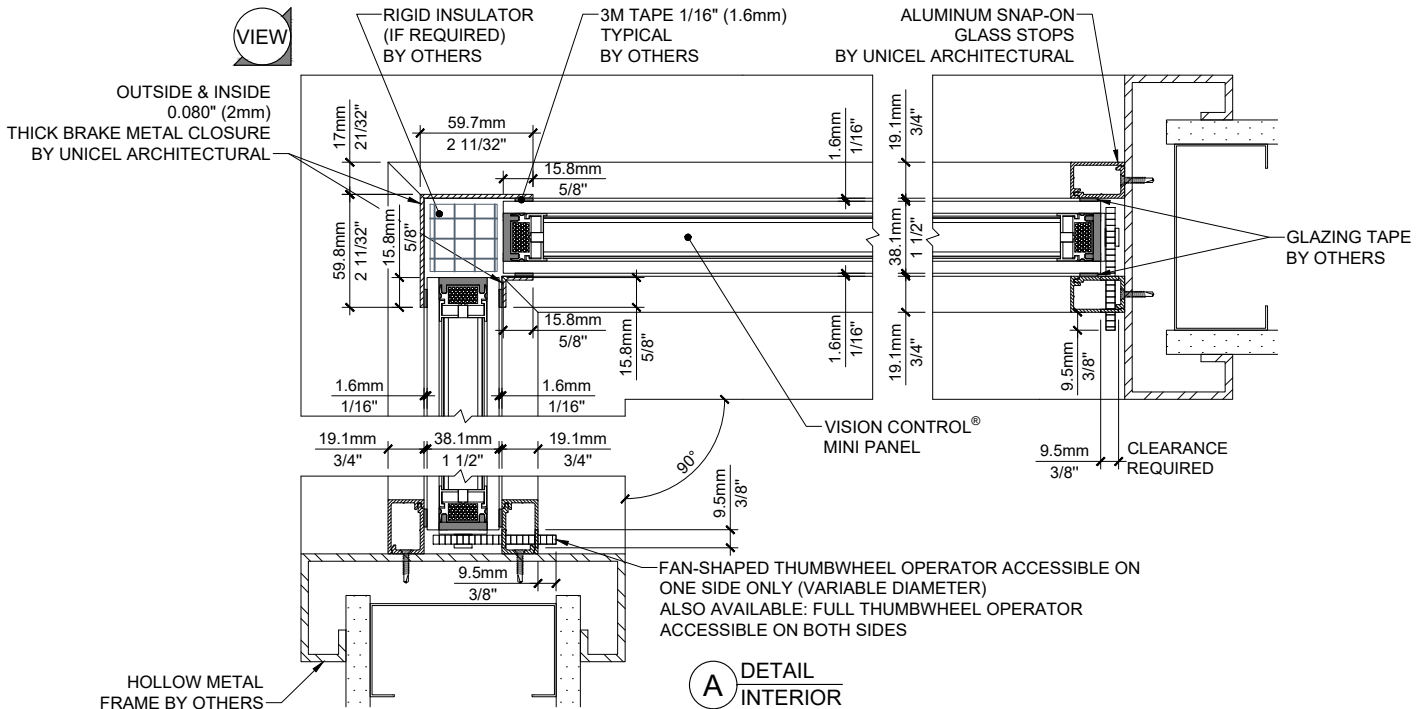




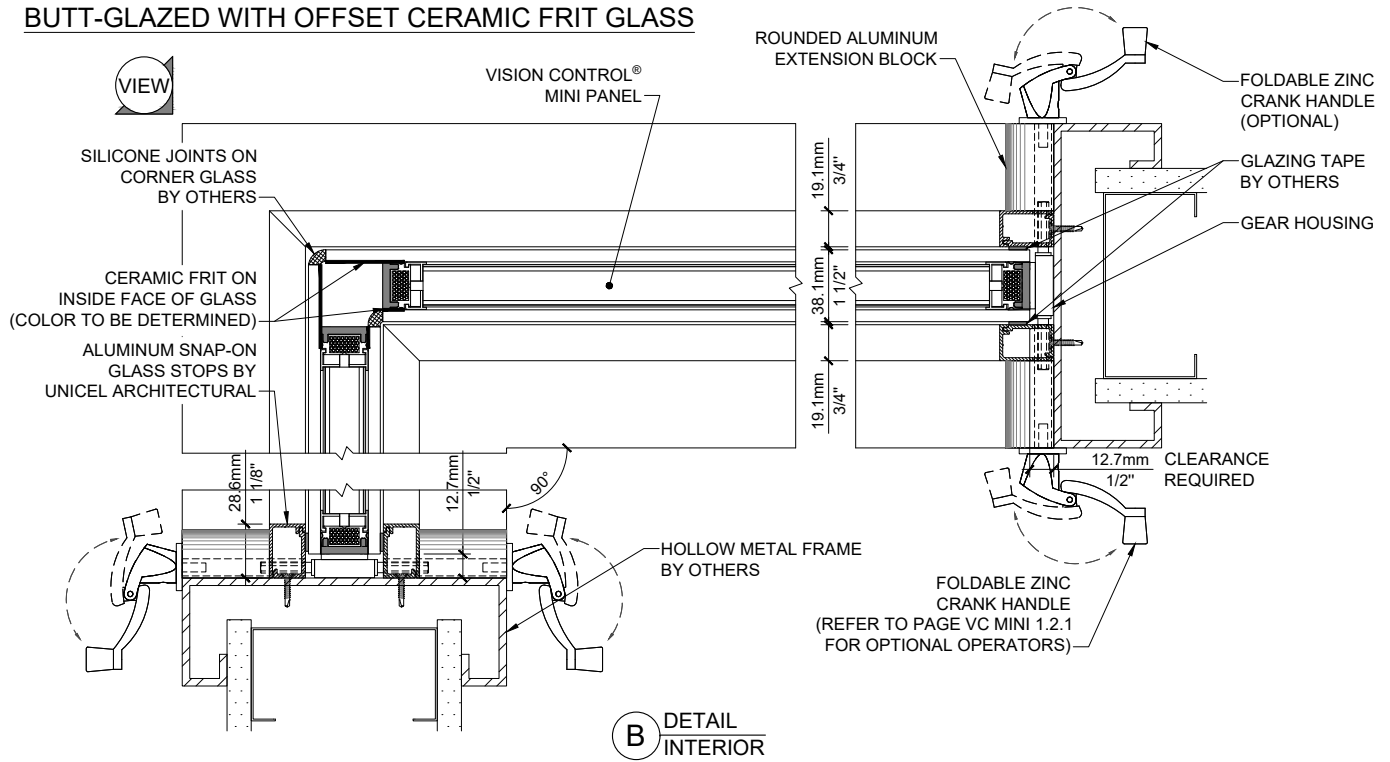
STANDARD FINISHES*	LOUVERS	GLASS STOPS	BRAKE METAL
DURACRON WHITE K-1285	✓	✓	✓
DURACRON GRAY K-20794	✓	✓	✓
CLEAR ANODIZED (CLASS II)		✓	✓

* OTHER FINISHES AVAILABLE UPON REQUEST.

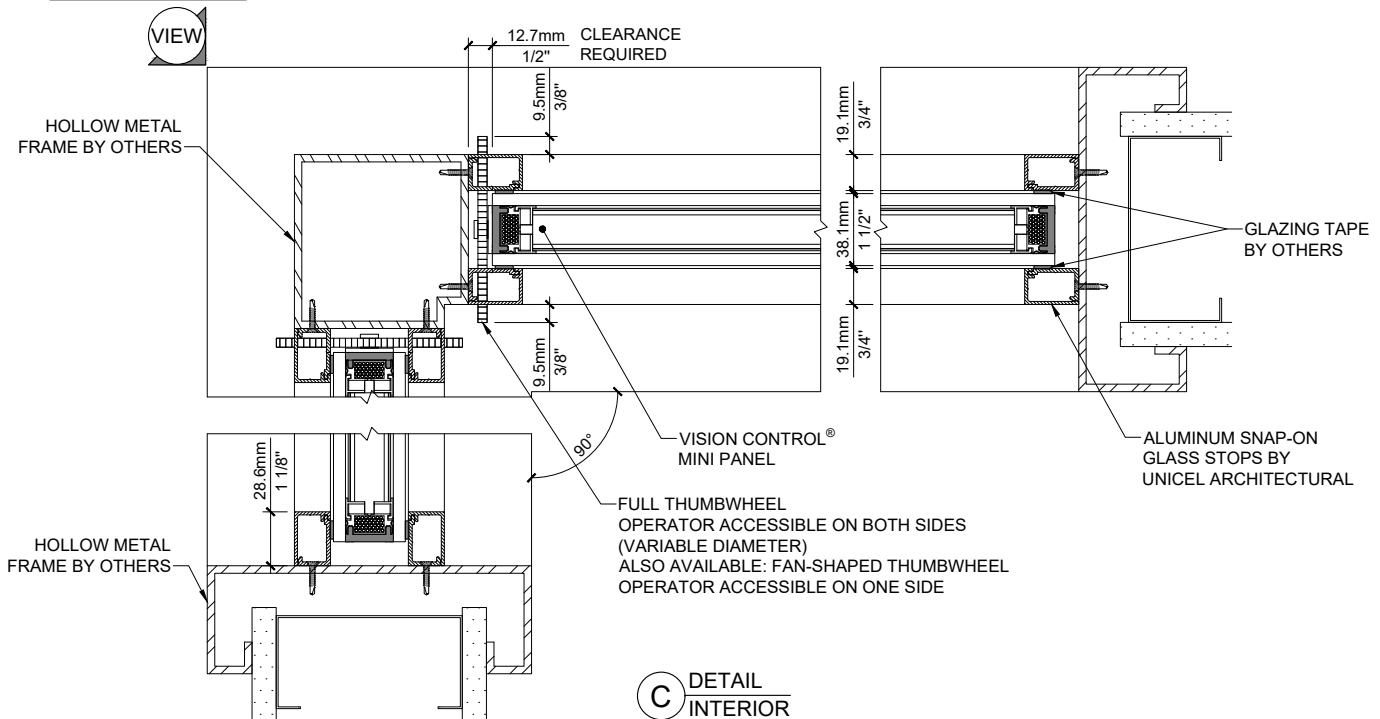
CORNER BRAKE METAL

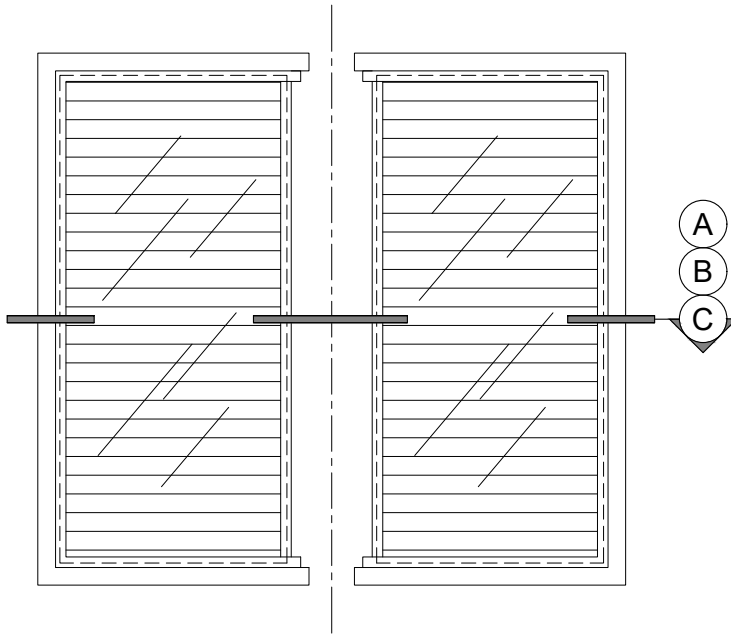


BUTT-GLAZED WITH OFFSET CERAMIC FRIT GLASS



CORNER POST



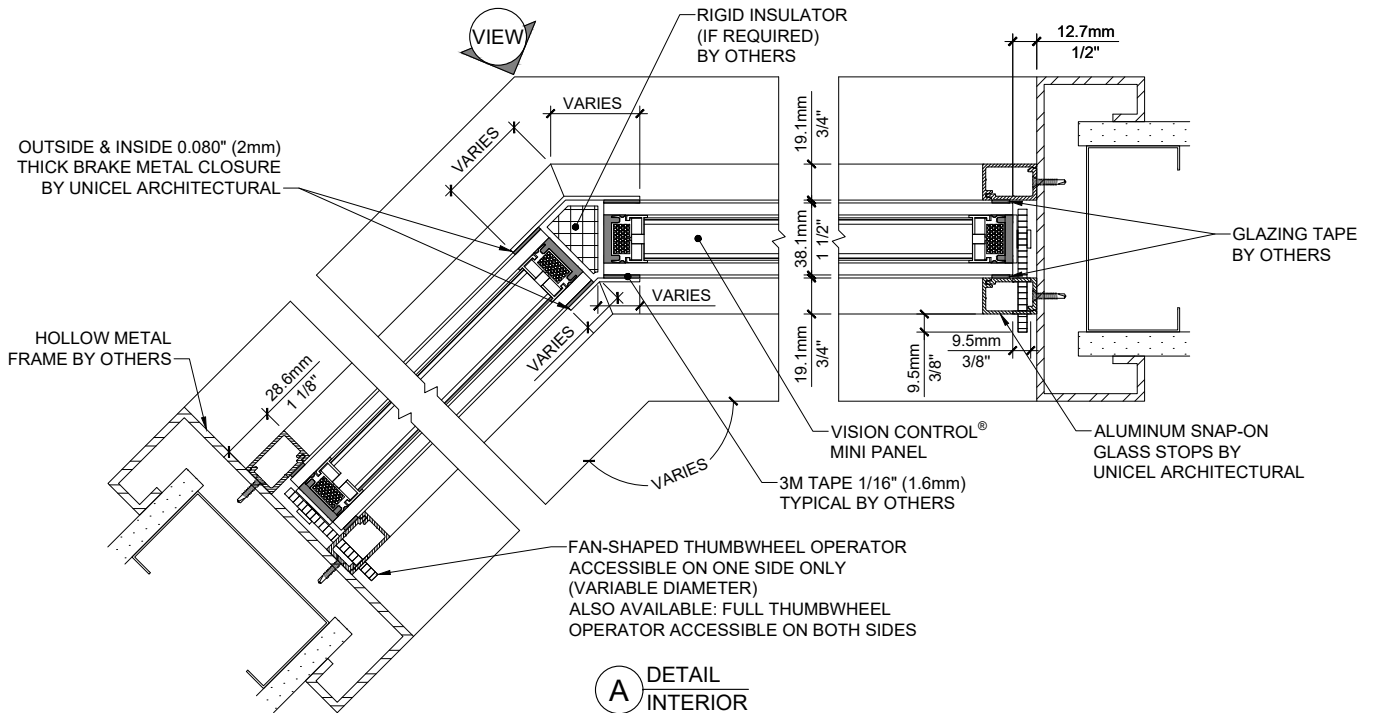


STANDARD FINISHES*	LOUVERS	GLASS STOPS	BRAKE METAL
DURACRON WHITE K-1285	✓	✓	✓
DURACRON GRAY K-20794	✓	✓	✓
CLEAR ANODIZED (CLASS II)		✓	✓

* OTHER FINISHES AVAILABLE UPON REQUEST.

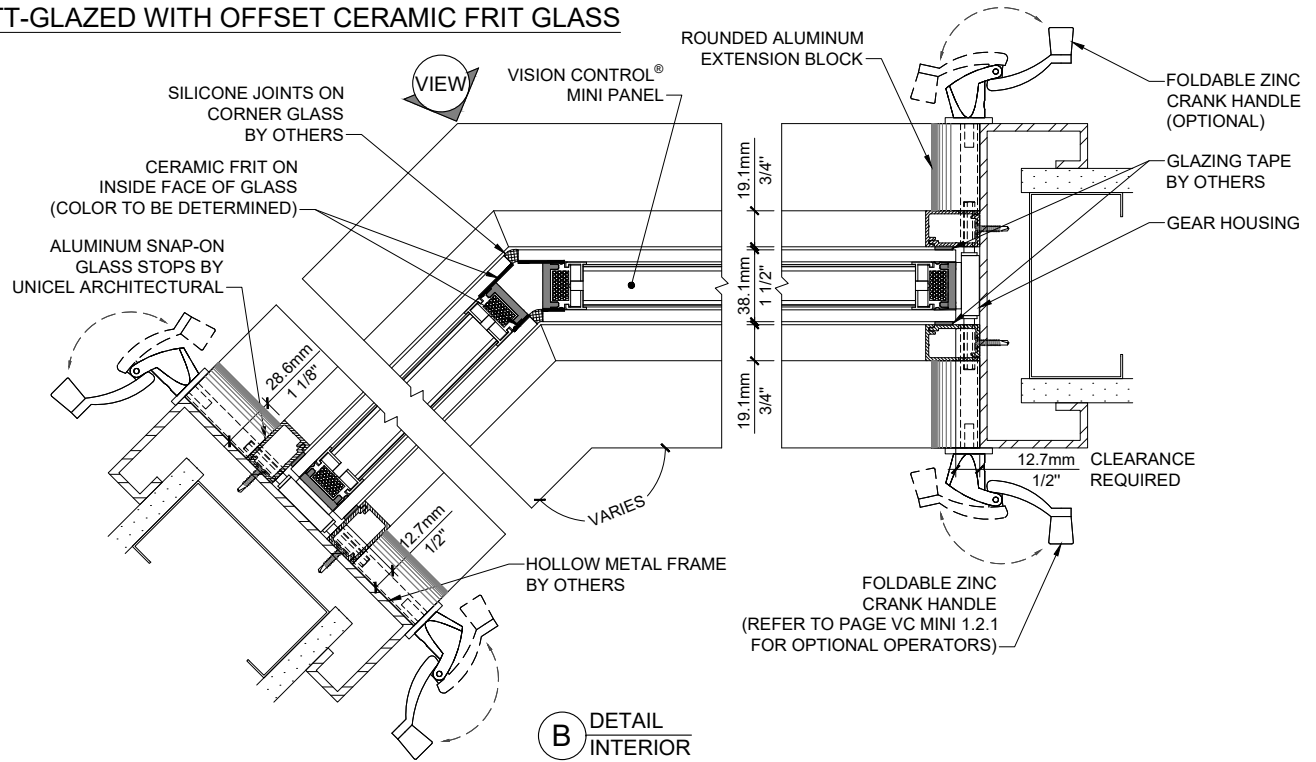
VARIABLE ANGLE

CORNER BRAKE METAL

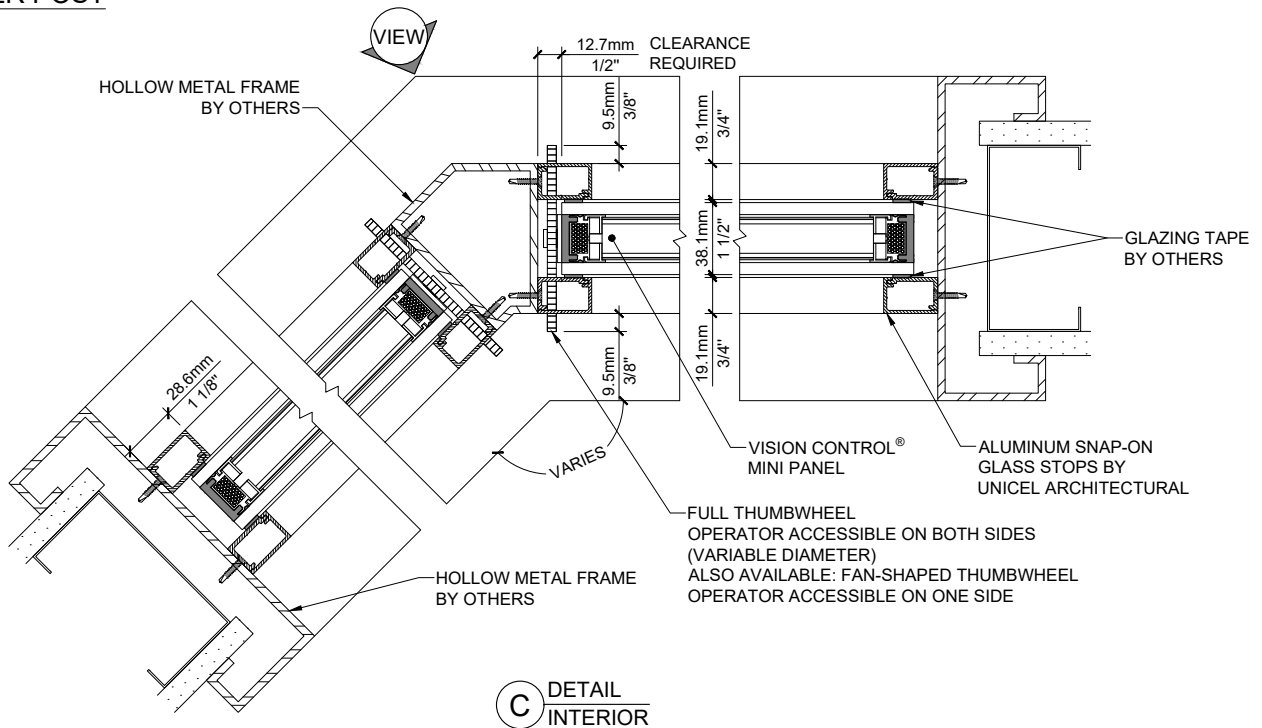


A DETAIL
INTERIOR

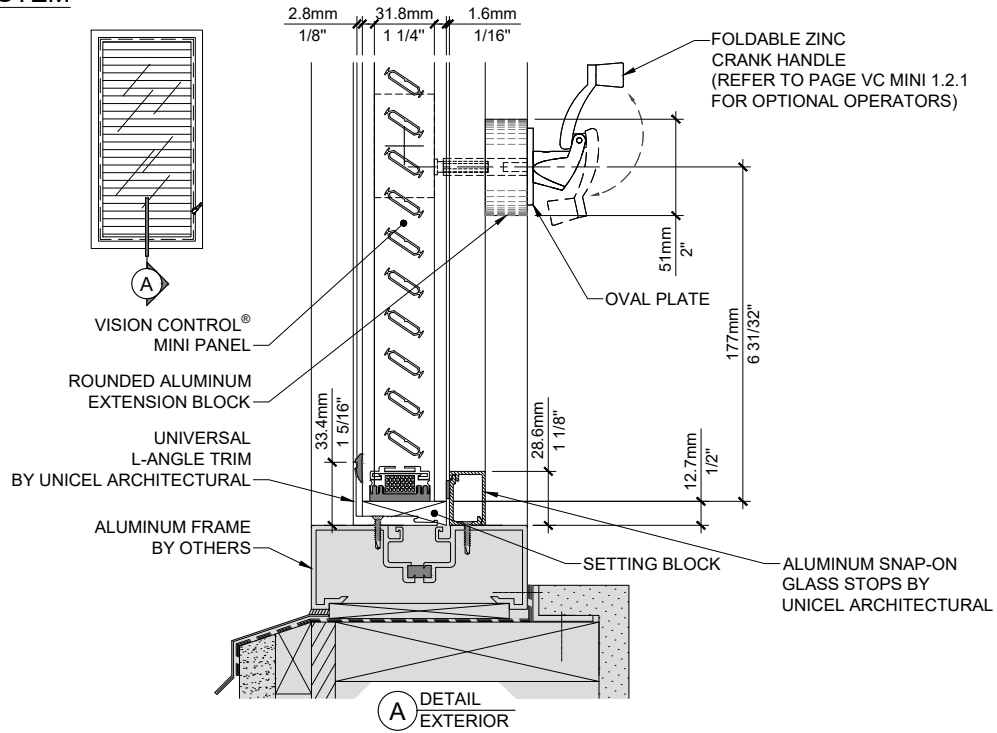
BUTT-GLAZED WITH OFFSET CERAMIC FRIT GLASS



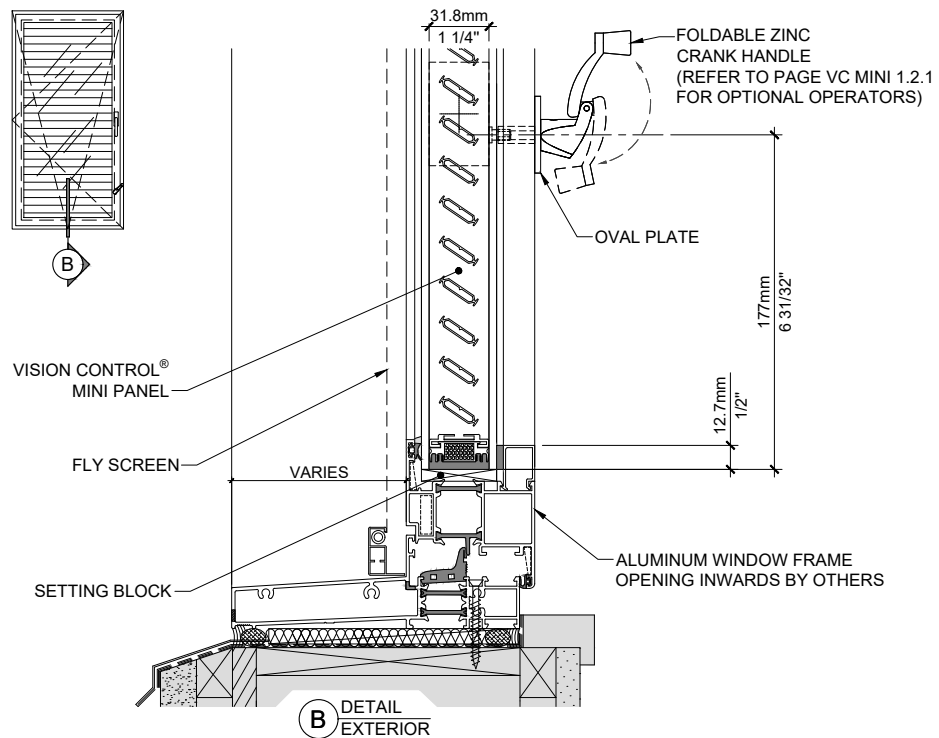
CORNER POST



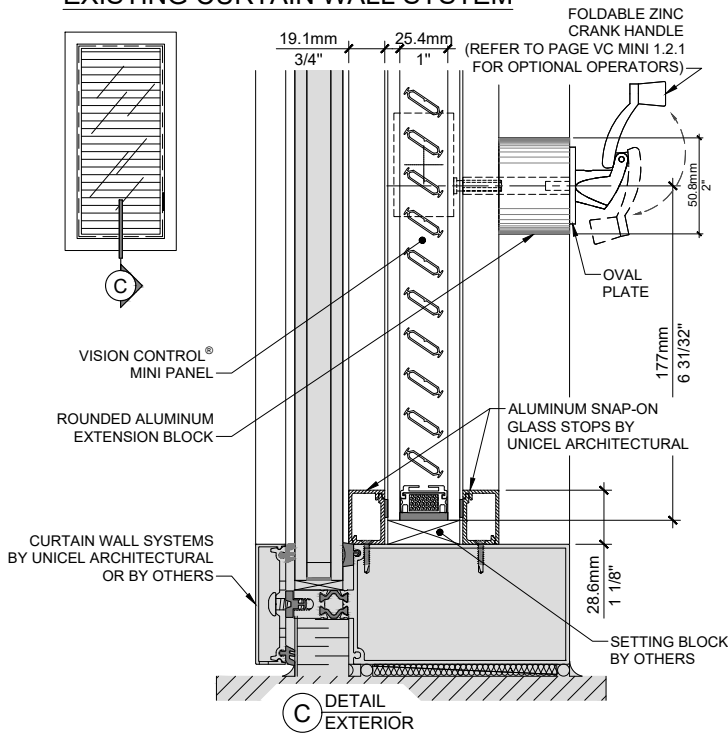
STOREFRONT SYSTEM



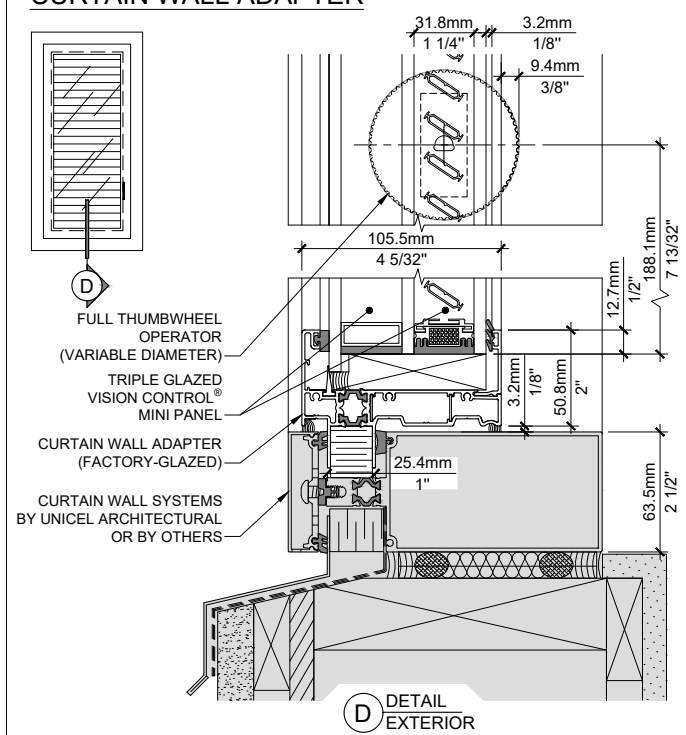
OPERABLE WINDOW



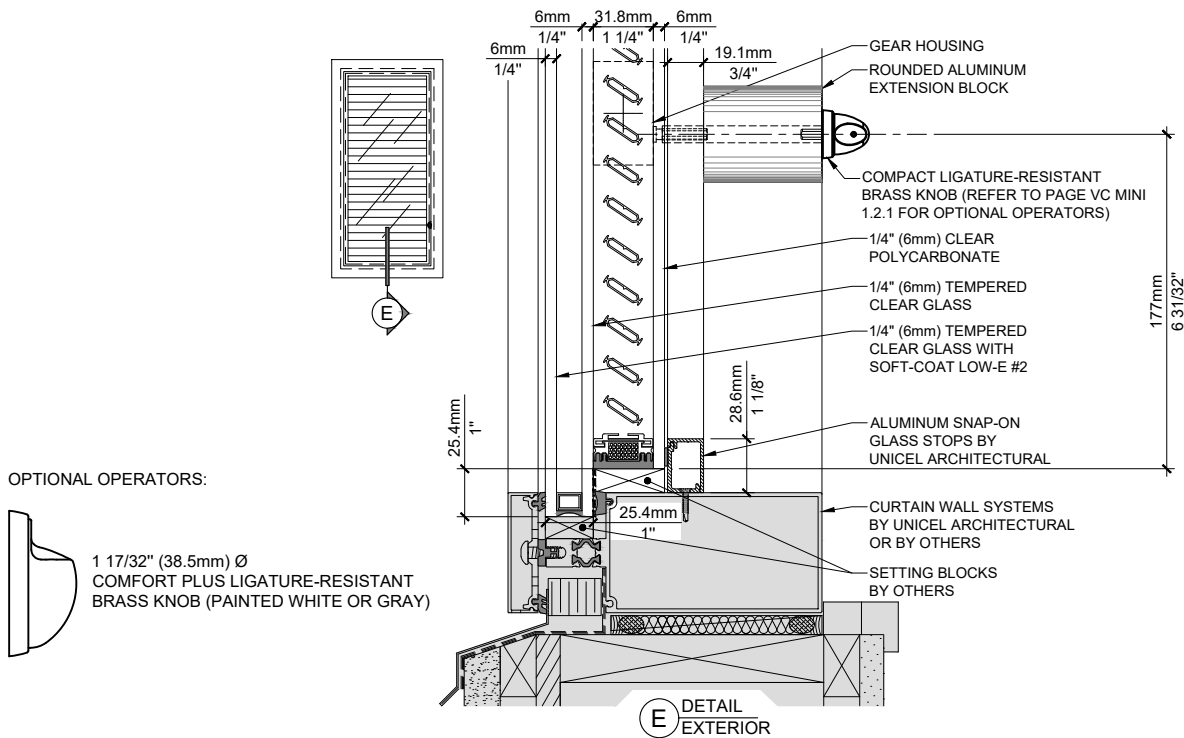
EXISTING CURTAIN WALL SYSTEM



CURTAIN WALL ADAPTER



OFFSET TRIPLE GLAZED

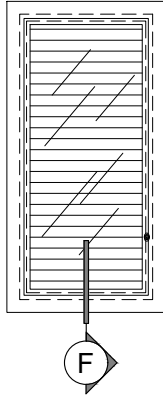


OPTIONAL OPERATORS:



BEHAVIORAL HEALTH APPLICATION - INTERIOR SUPPLEMENTAL WINDOW

FRAME SIZE		
	MINIMUM	MAXIMUM
WIDTH	8 1/4 in. (209.6mm)	66 1/2 po. (1689.1mm)
HEIGHT	10 1/8 in. (257.2mm)	76 1/2 po. (1943.1mm)

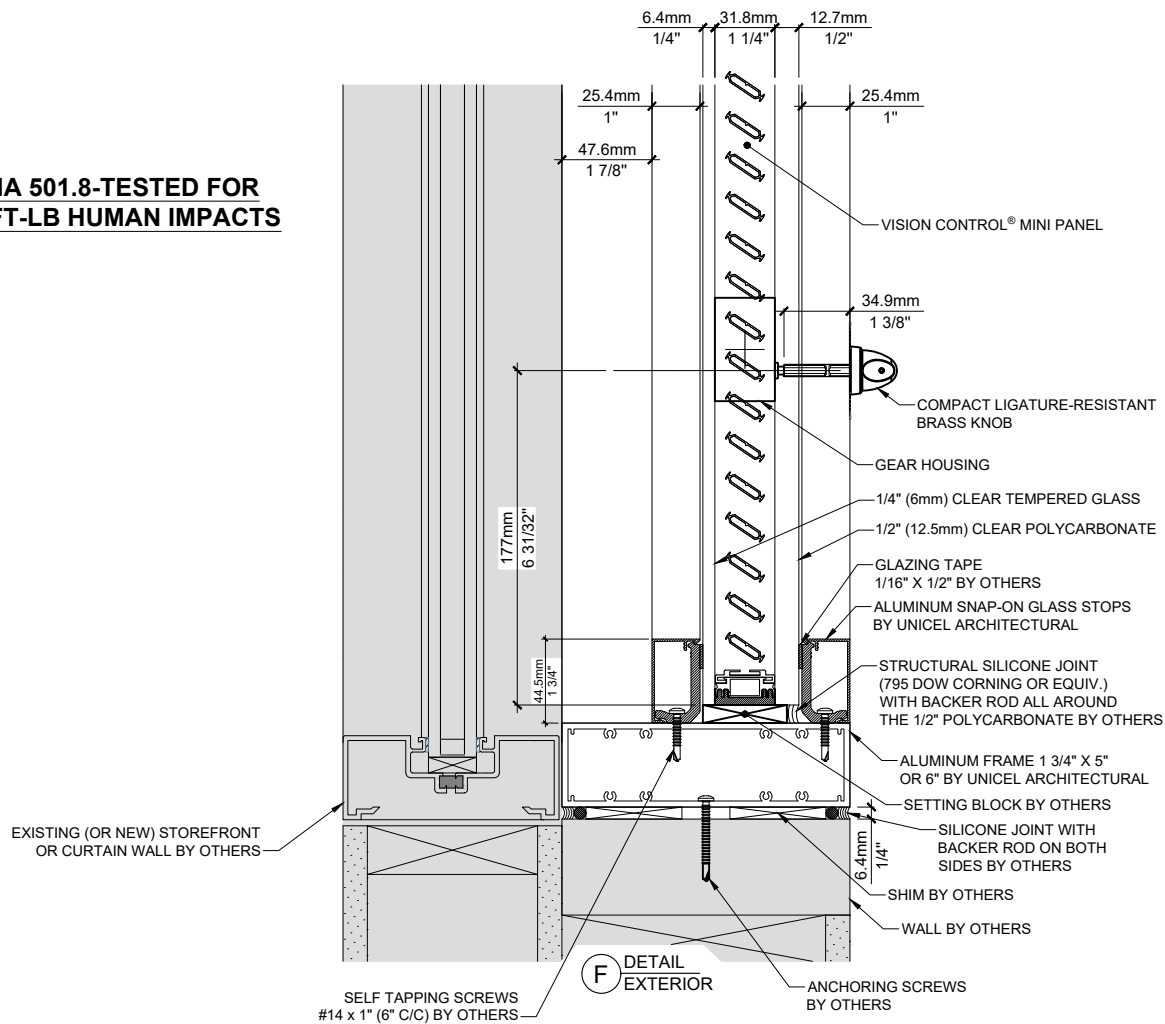


OPTIONAL OPERATORS:



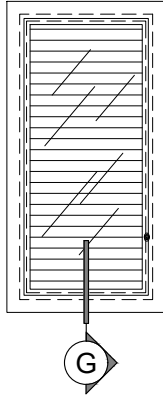
1 17/32" (38.5mm) Ø
COMFORT PLUS LIGATURE-RESISTANT
BRASS KNOB (PAINTED WHITE OR GRAY)

**AAMA 501.8-TESTED FOR
2000 FT-LB HUMAN IMPACTS**



BEHAVIORAL HEALTH APPLICATION - EXTERIOR WINDOW

FRAME SIZE		
	MINIMUM	MAXIMUM
WIDTH	7 3/8 in. (187.3mm)	65 3/8 in. (1660.5mm)
HEIGHT	7 7/16 in. (188.9mm)	75 3/8 in. (1914.5mm)

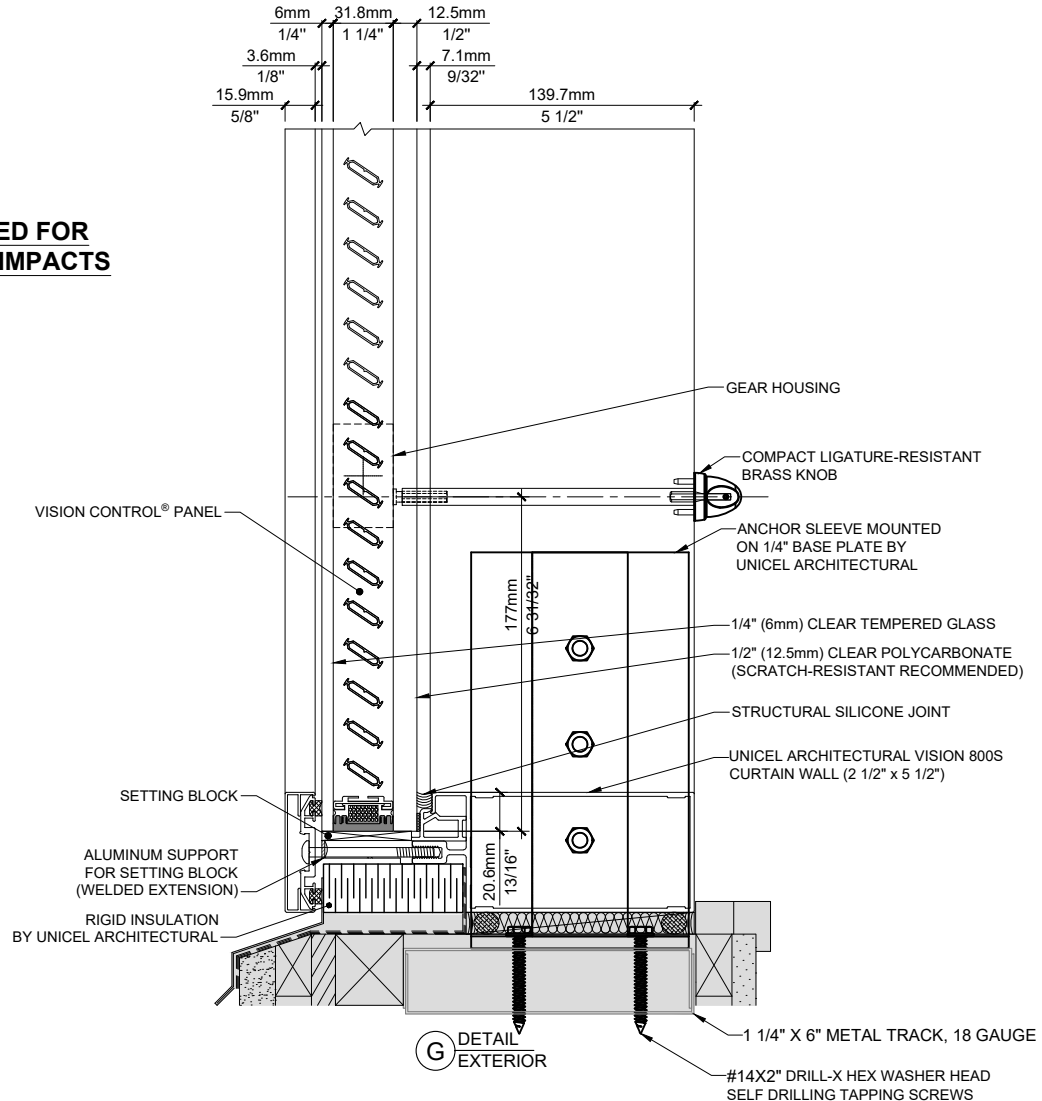


OPTIONAL OPERATORS:

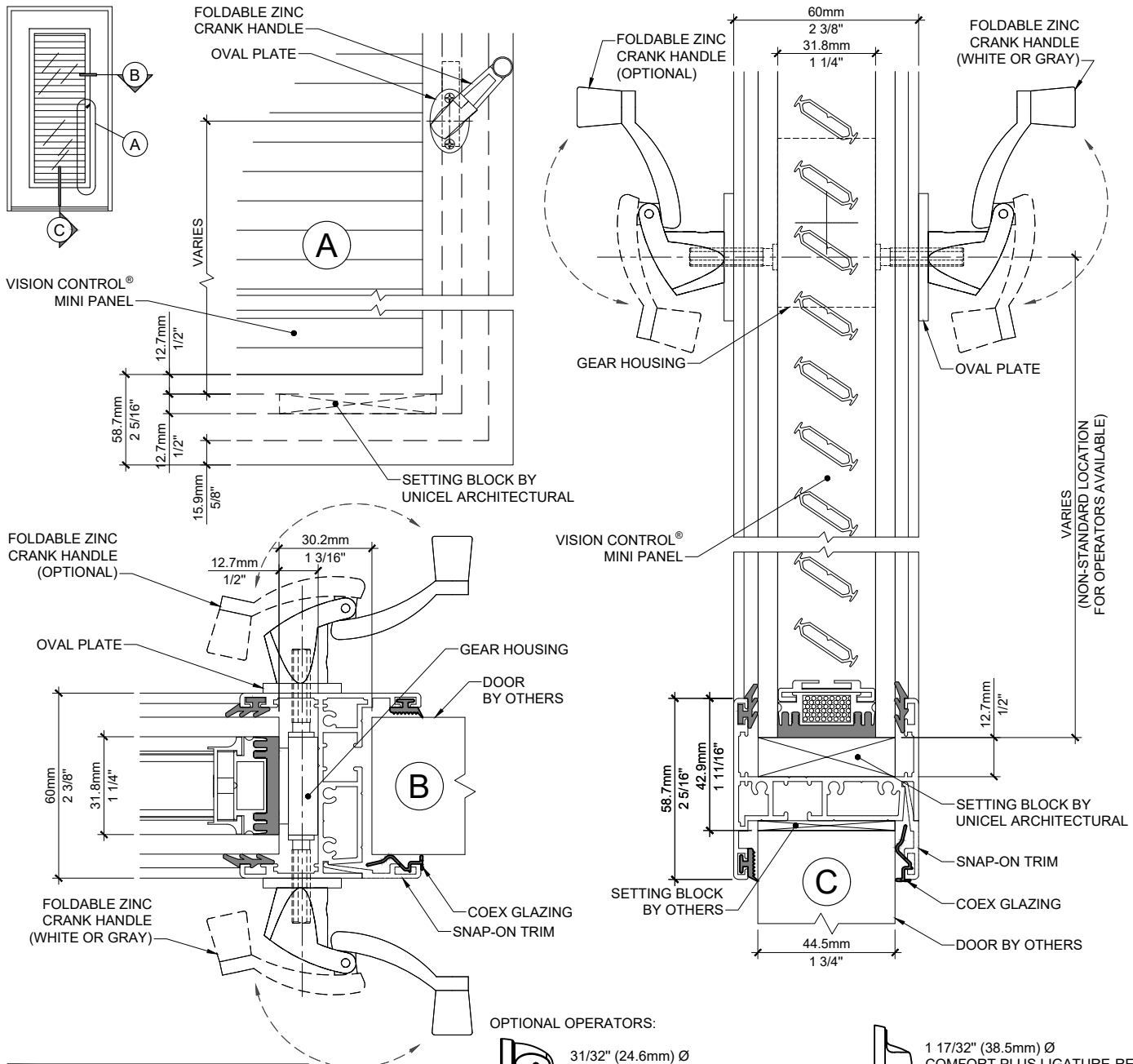


1 17/32" (38.5mm) Ø
COMFORT PLUS LIGATURE-RESISTANT
BRASS KNOB (PAINTED WHITE OR GRAY)

**AAMA 501.8-TESTED FOR
2000 FT-LB HUMAN IMPACTS**



CRANK HANDLE OPERABLE ON ONE OR BOTH SIDE(S)
VISION CONTROL® MINI FURNISHED FACTORY-GLAZED IN UNICEL ARCHITECTURAL'S ALUMINUM TRIMS



STANDARD FINISHES*	LOUVERS	DOOR TRIMS
DURACRON WHITE K-1285	✓	✓
DURACRON GRAY K-20794	✓	✓
CLEAR ANODIZED (CLASS II)	✓	✓

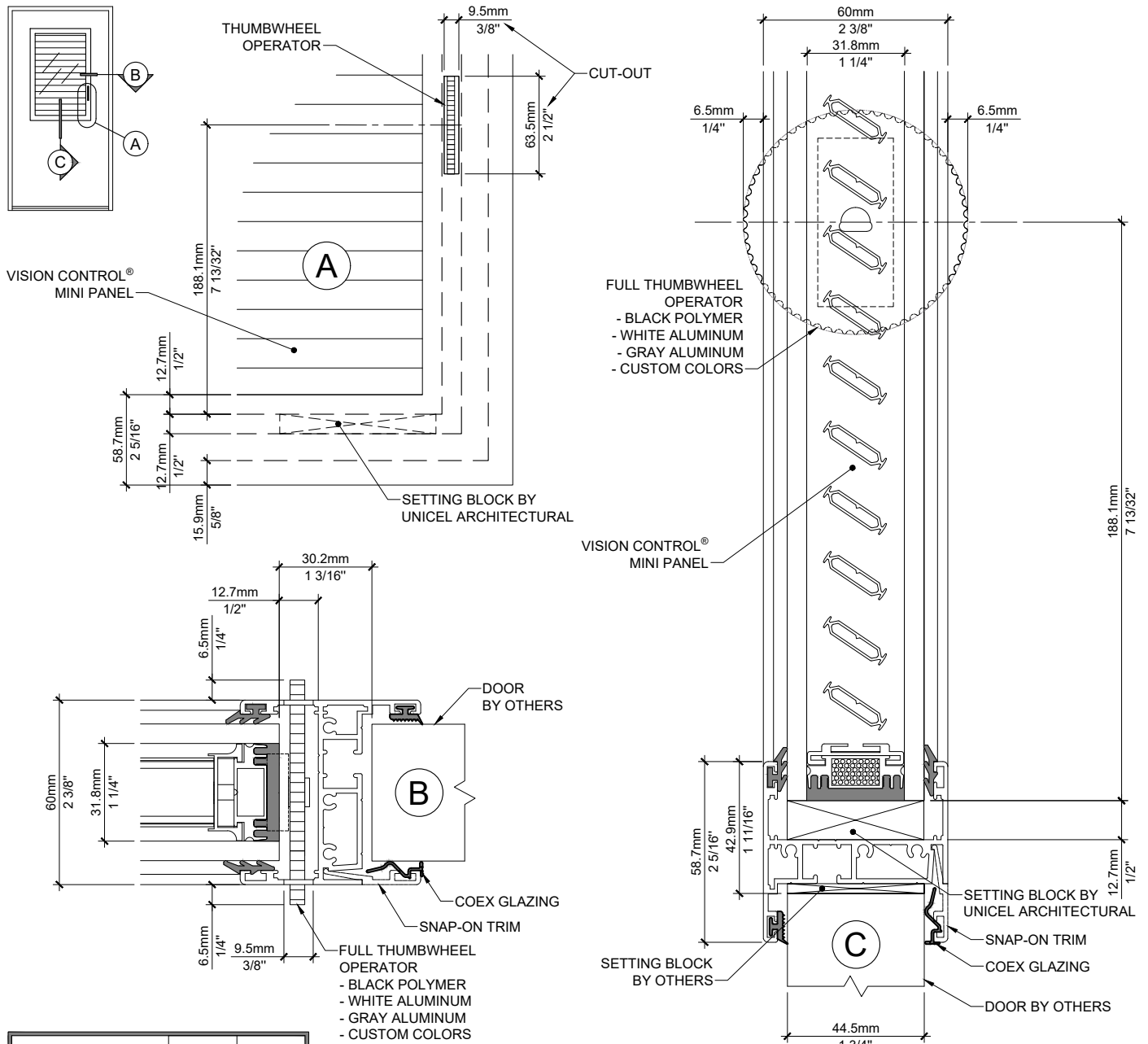
* OTHER FINISHES AVAILABLE UPON REQUEST.

OPTIONAL OPERATORS:

- 31/32" (24.6mm) Ø COMPACT LIGATURE-RESISTANT BRASS KNOB (PAINTED WHITE OR GRAY)
- 1" (25.4mm) Ø ALUMINUM KNOB
 - WHITE K-1285
 - GRAY K-20794
 - CUSTOM COLORS
- 1 17/32" (38.5mm) Ø COMFORT PLUS LIGATURE-RESISTANT BRASS KNOB (PAINTED WHITE OR GRAY)

THUMBWHEEL OPERABLE ON BOTH SIDES

VISION CONTROL® MINI FURNISHED FACTORY-GLAZED IN UNICEL ARCHITECTURAL'S ALUMINUM TRIMS

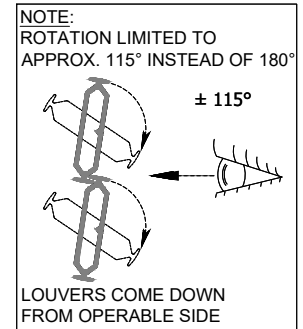
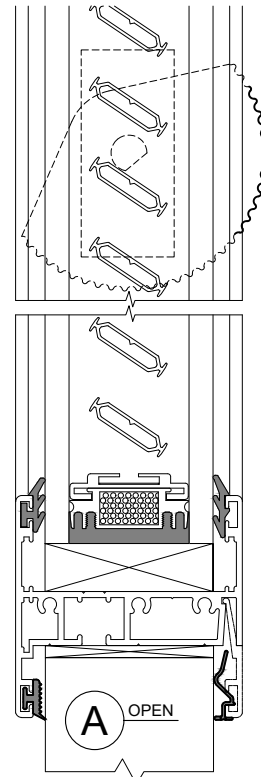
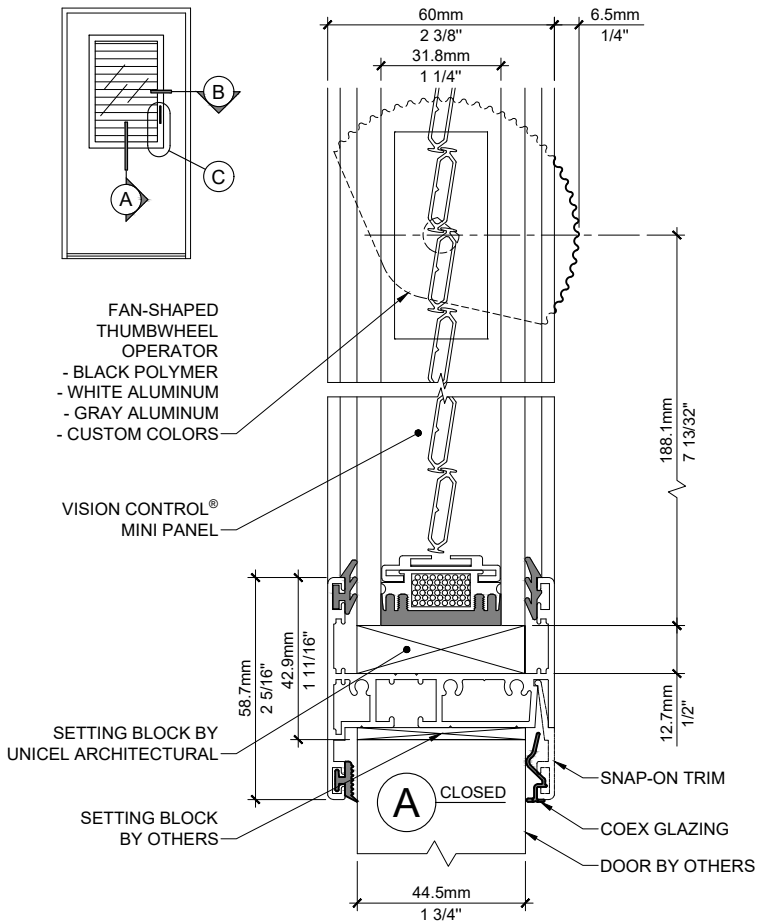


STANDARD FINISHES*	LOUVERS	DOOR TRIMS
DURACRON WHITE K-1285	✓	✓
DURACRON GRAY K-20794	✓	✓
CLEAR ANODIZED (CLASS II)	✓	✓

* OTHER FINISHES AVAILABLE UPON REQUEST.

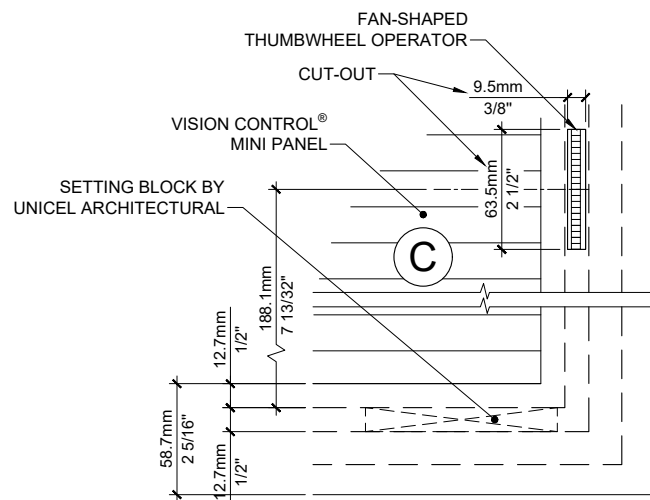
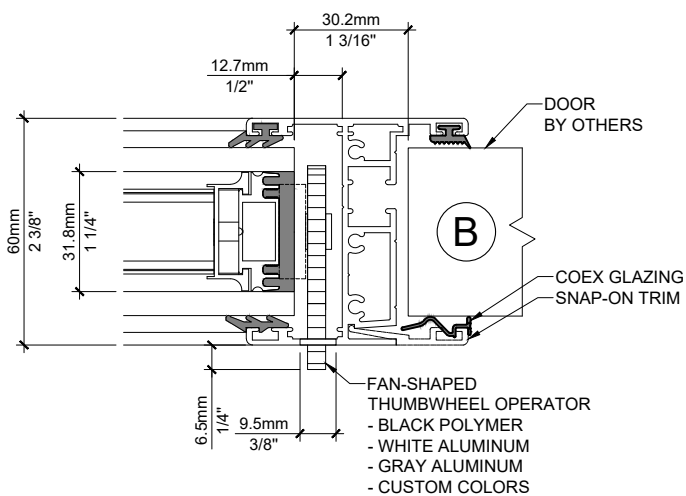
FAN-SHAPED THUMBWHEEL OPERABLE ON ONE SIDE

VISION CONTROL® MINI FURNISHED FACTORY-GLAZED IN UNICEL ARCHITECTURAL'S ALUMINUM TRIMS

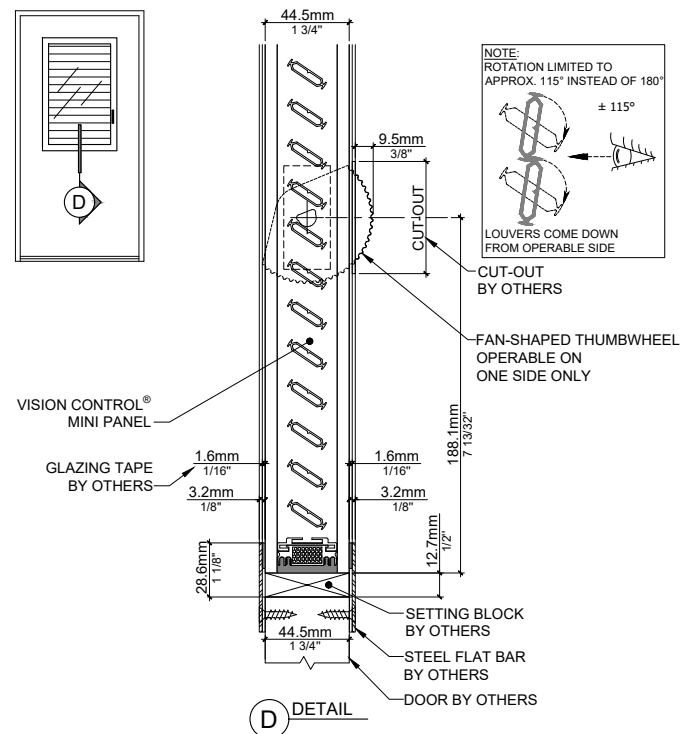
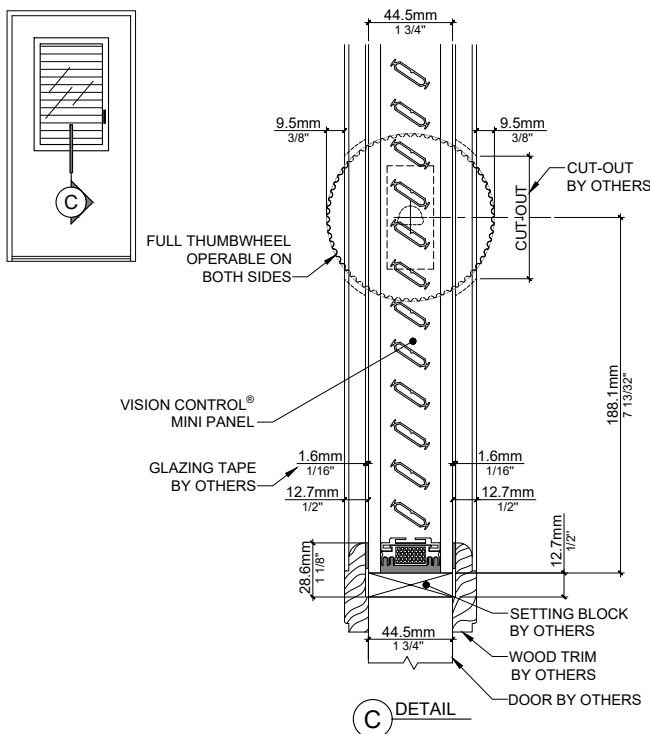
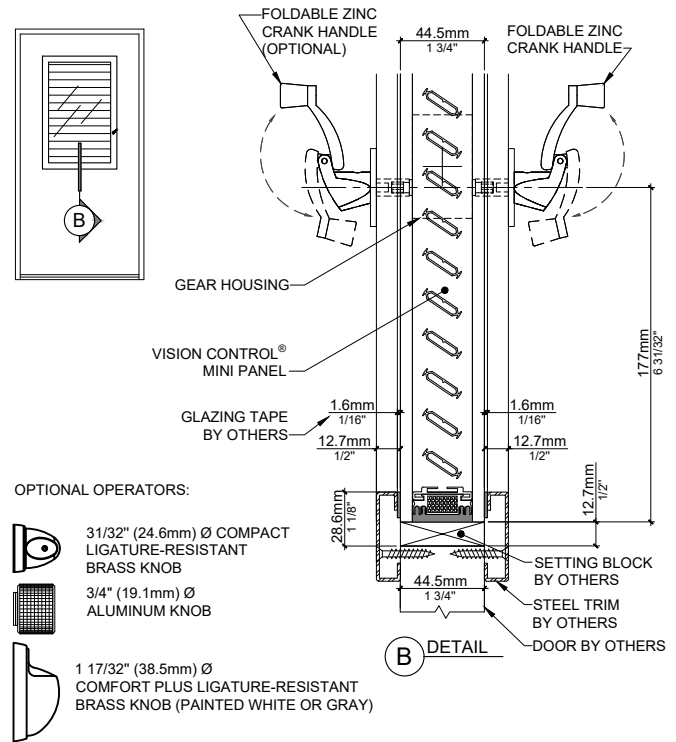
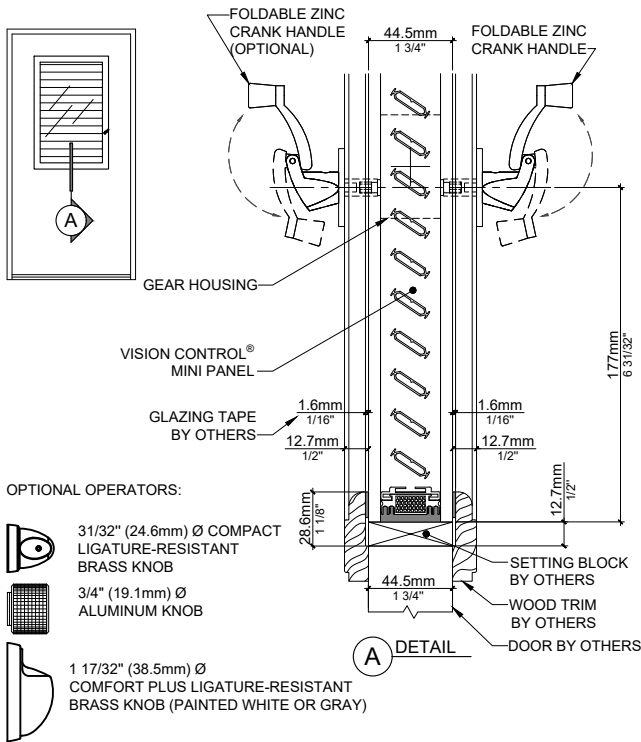


STANDARD FINISHES*	LOUVERS	DOOR TRIMS
DURACRON WHITE K-1285	✓	✓
DURACRON GRAY K-20794	✓	✓
CLEAR ANODIZED (CLASS II)		✓

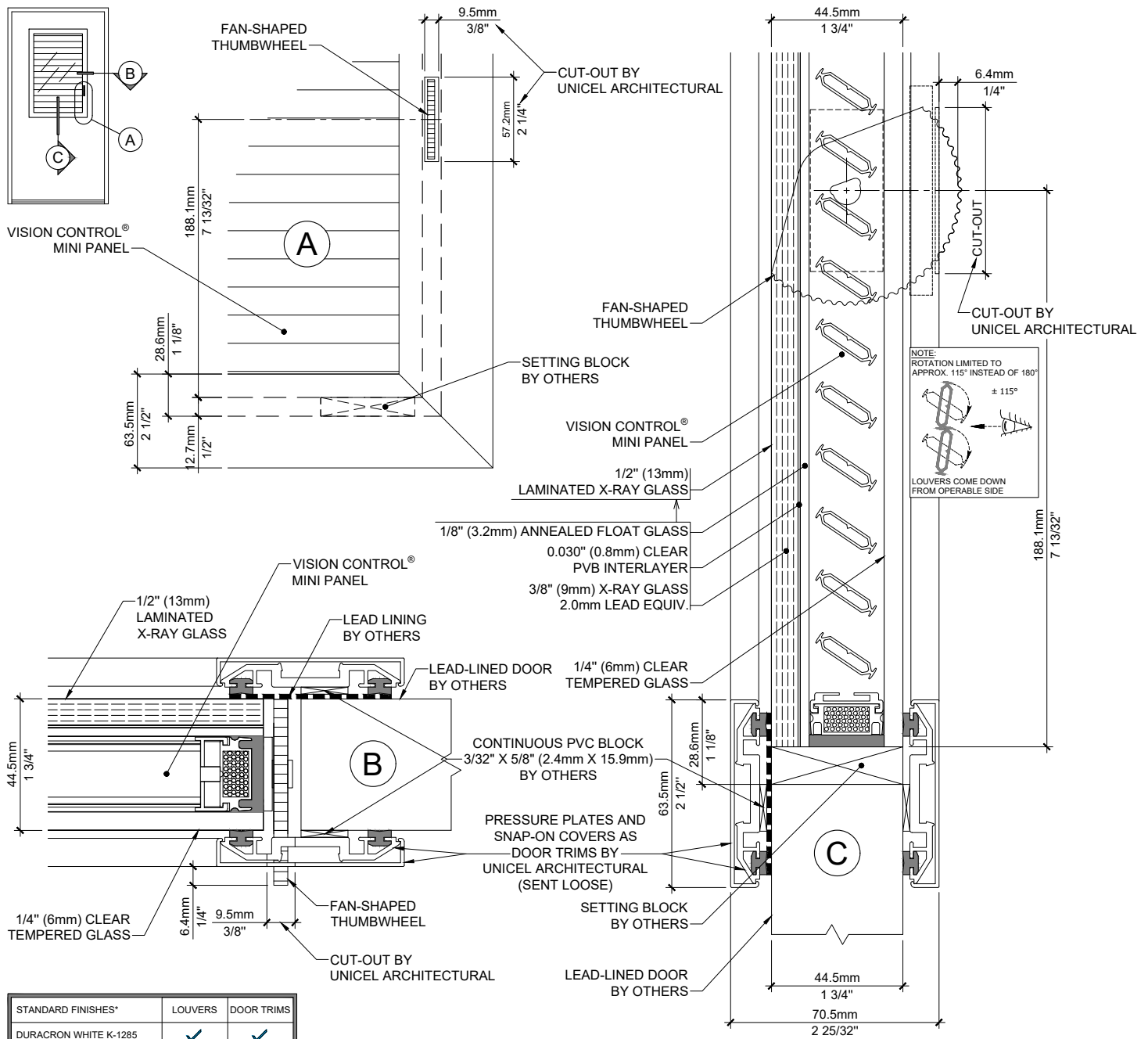
* OTHER FINISHES AVAILABLE UPON REQUEST.



SUGGESTED CUSTOM DOOR TRIMS BY OTHERS



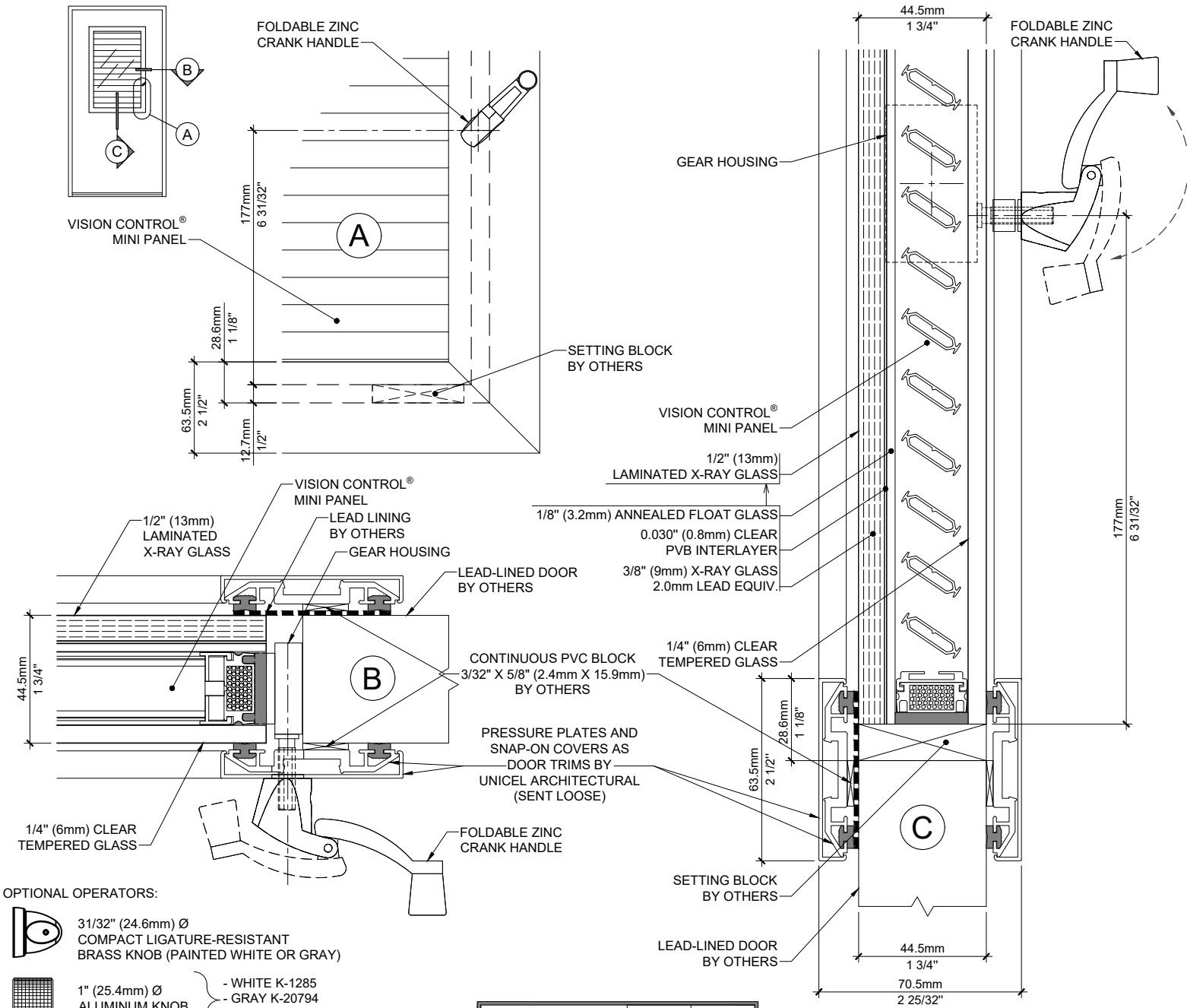
FAN-SHAPED THUMBWHEEL OPERABLE ON ONE SIDE PRESSURE PLATES AND SNAP-ON COVERS AS DOOR TRIMS SENT LOOSE



STANDARD FINISHES*	LOUVERS	DOOR TRIMS
DURACRON WHITE K-1285	✓	✓
DURACRON GRAY K-20794	✓	✓
CLEAR ANODIZED (CLASS II)	✓	✓


* OTHER FINISHES AVAILABLE UPON REQUEST.

ZINC CRANK HANDLE OPERABLE ON ONE SIDE
PRESSURE PLATES AND SNAP-ON COVERS AS DOOR TRIMS SENT LOOSE



OPTIONAL OPERATORS:

 31/32" (24.6mm) Ø
COMPACT LIGATURE-RESISTANT
BRASS KNOB (PAINTED WHITE OR GRAY)

 1" (25.4mm) Ø
ALUMINUM KNOB
- WHITE K-1285
- GRAY K-20794
- CUSTOM COLORS

 1 17/32" (38.5mm) Ø
COMFORT PLUS LIGATURE-RESISTANT
BRASS KNOB (PAINTED WHITE OR GRAY)

STANDARD FINISHES*	LOUVERS	DOOR TRIMS
DURACRON WHITE K-1285	✓	✓
DURACRON GRAY K-20794	✓	✓
CLEAR ANODIZED (CLASS II)		✓

* OTHER FINISHES AVAILABLE UPON REQUEST.

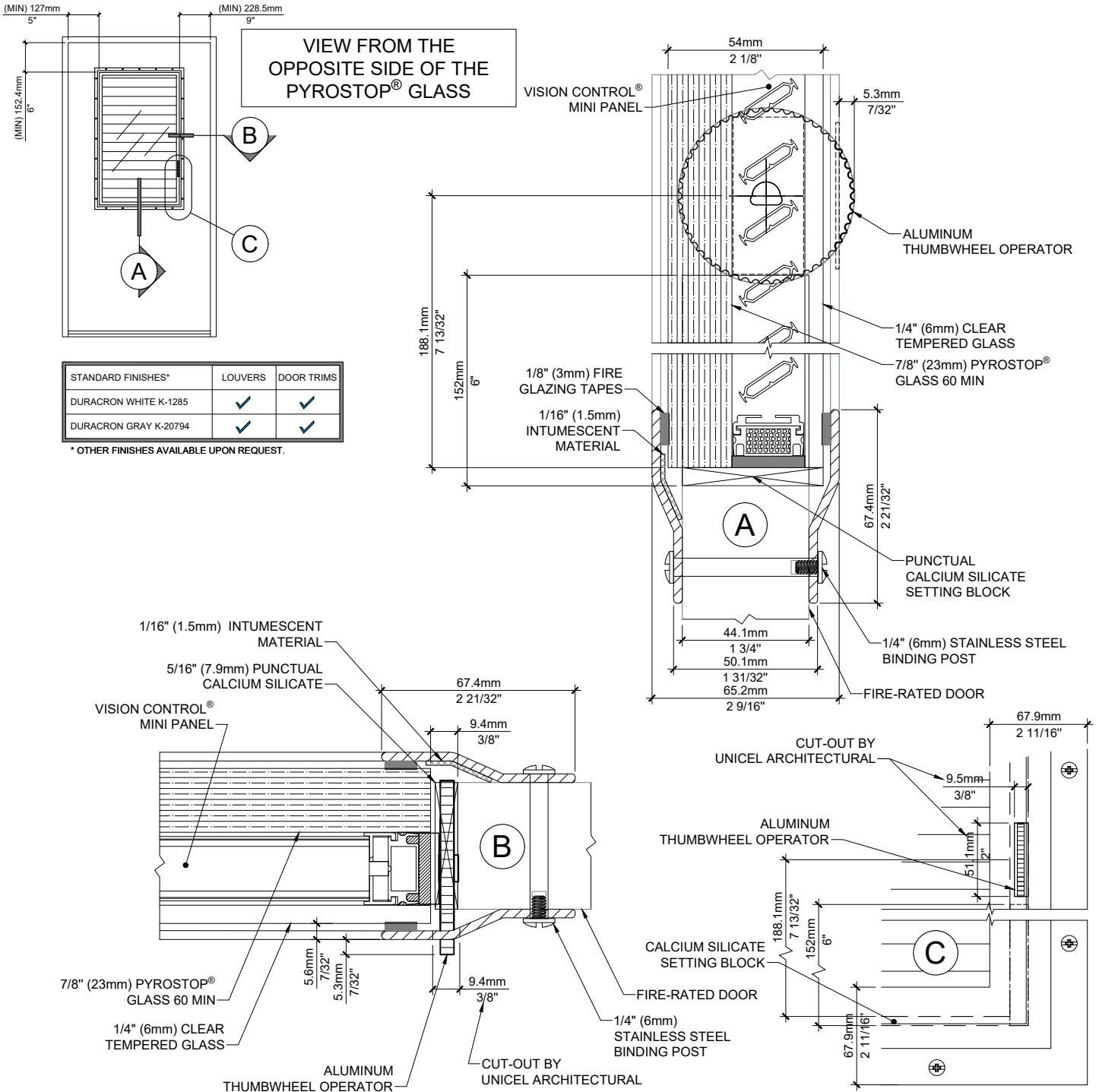
Unicel Architectural Corp.
2155 Fernand-Lafontaine
Longueuil • Québec • J4G 2J4 • Canada



VC MINI 3.3.2

FULL THUMBWHEEL OPERABLE ON ONE SIDE

VISION CONTROL® MINI FURNISHED FACTORY-GLAZED IN UNICEL ARCHITECTURAL'S FIRE-RATED STEEL TRIMS (45 MIN. UL / 60 MIN. BS)
MAXIMUM VISIBLE GLASS = 29" X 48" (737mm X 1219mm)

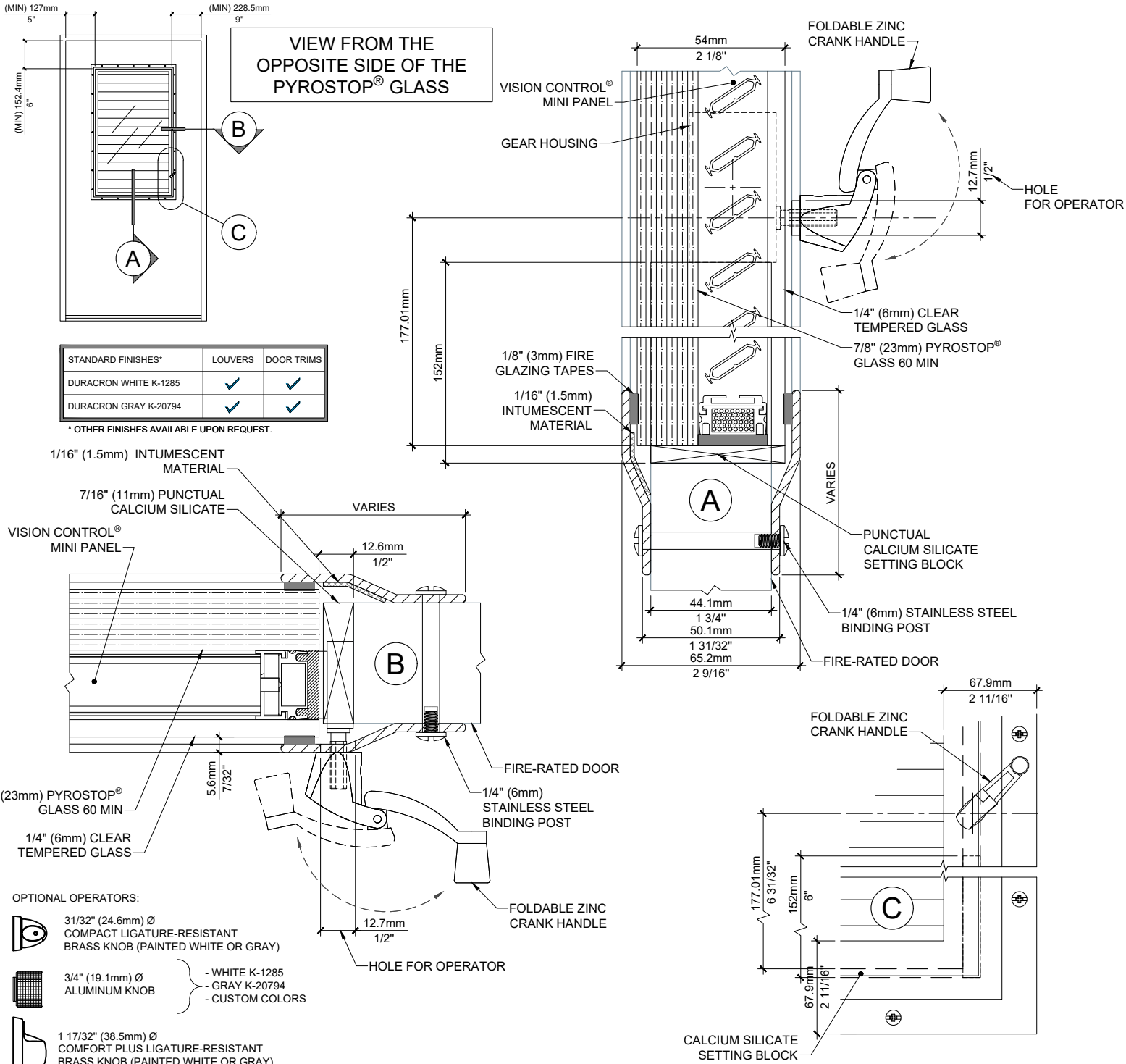


STANDARD FINISHES*	LOUVERS	DOOR TRIMS
DURACRON WHITE K-1285	✓	✓
DURACRON GRAY K-20794	✓	✓

* OTHER FINISHES AVAILABLE UPON REQUEST.

ZINC CRANK HANDLE OPERABLE ON ONE SIDE

VISION CONTROL® MINI FURNISHED FACTORY-GLAZED IN UNICEL ARCHITECTURAL'S FIRE-RATED STEEL TRIMS (45 MIN. UL / 60 MIN. BS)
MAXIMUM VISIBLE GLASS = 29" X 48" (737mm X 1219mm)



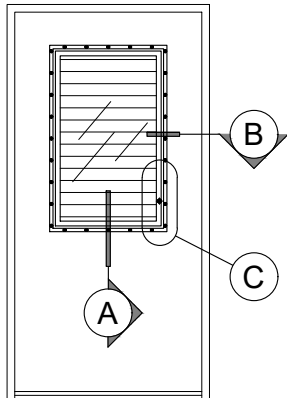
Unicel Architectural Corp.
2155 Fernand-Lafontaine
Longueuil • Québec • J4G 2J4 • Canada



VC MINI 3.5.2

COMPACT LIGATURE-RESISTANT BRASS KNOB OPERABLE ON ONE SIDE

VISION CONTROL® MINI FURNISHED FACTORY-GLAZED IN UNICEL ARCHITECTURAL'S STEEL TRIMS (BEHAVIORAL APPLICATION)
MAXIMUM VISIBLE GLASS = 29" X 48" (737mm X 1219mm)



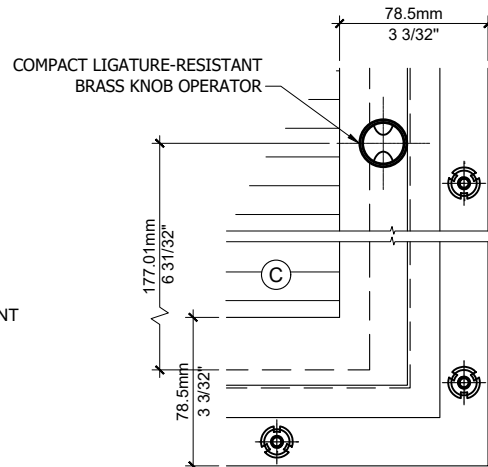
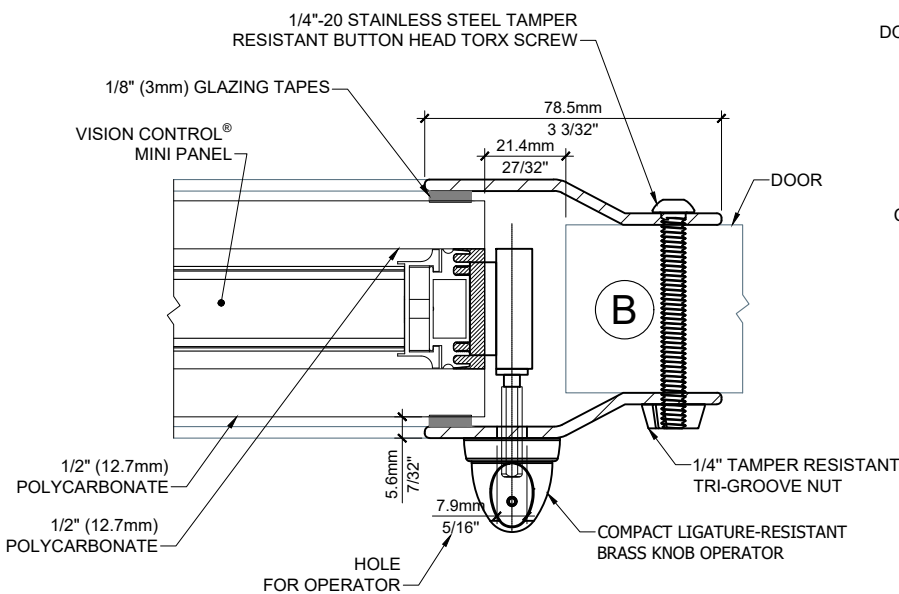
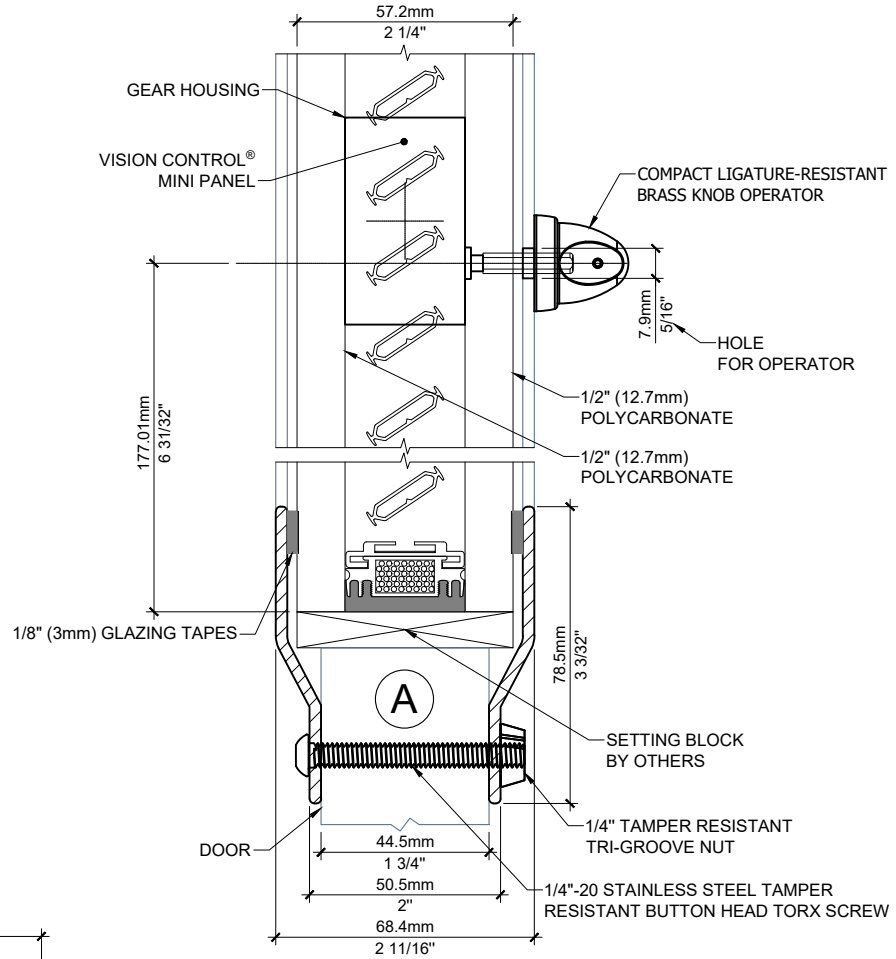
STANDARD FINISHES*	LOUVERS	DOOR TRIMS
DURACRON WHITE K-1285	✓	✓
DURACRON GRAY K-20794	✓	✓

* OTHER FINISHES AVAILABLE UPON REQUEST.

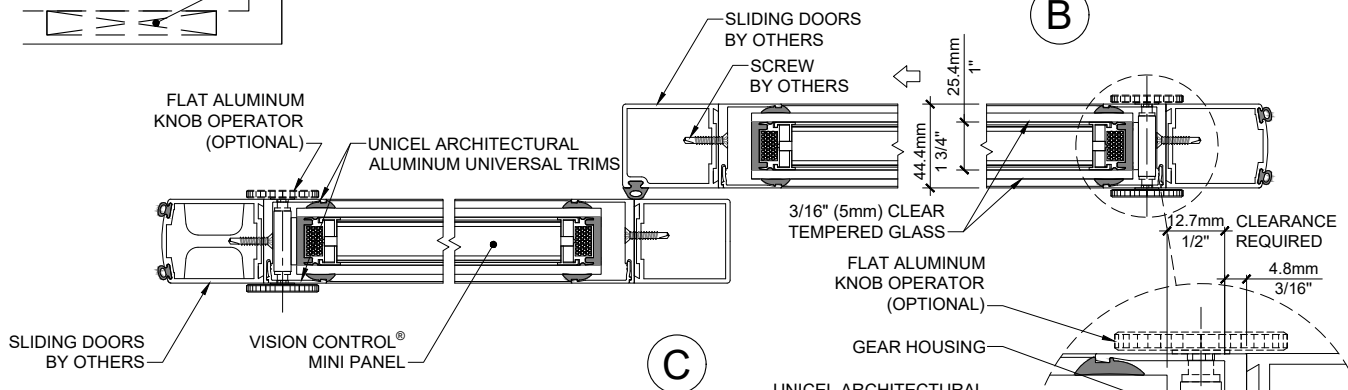
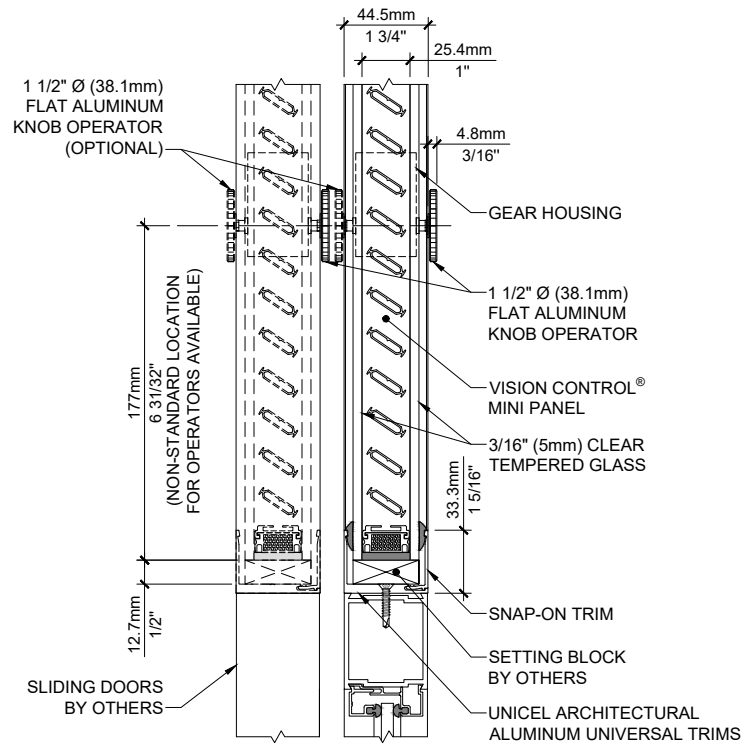
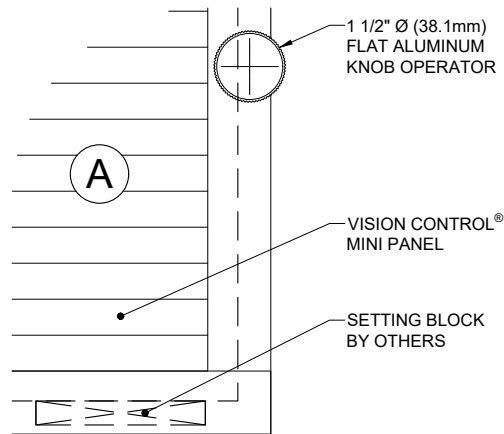
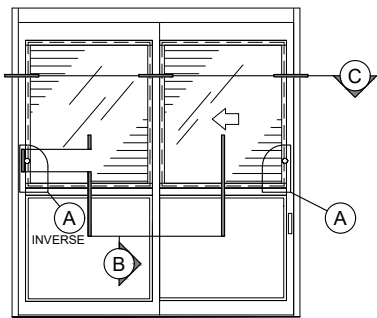
OPTIONAL OPERATORS:



1 17/32" (38.5mm) Ø
COMFORT PLUS LIGATURE-RESISTANT
BRASS KNOB (PAINTED WHITE OR GRAY)



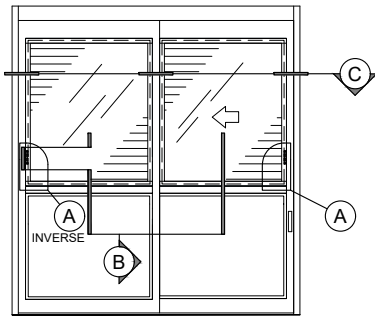
FLAT KNOB OPERABLE ON ONE OR BOTH SIDE(S)
VISION CONTROL® MINI WITH UNIVERSAL ALUMINUM TRIMS SENT LOOSE



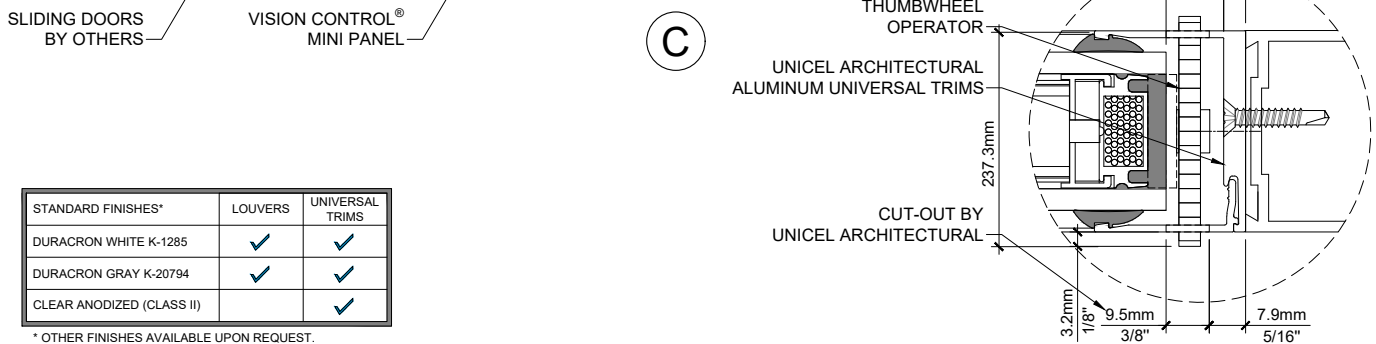
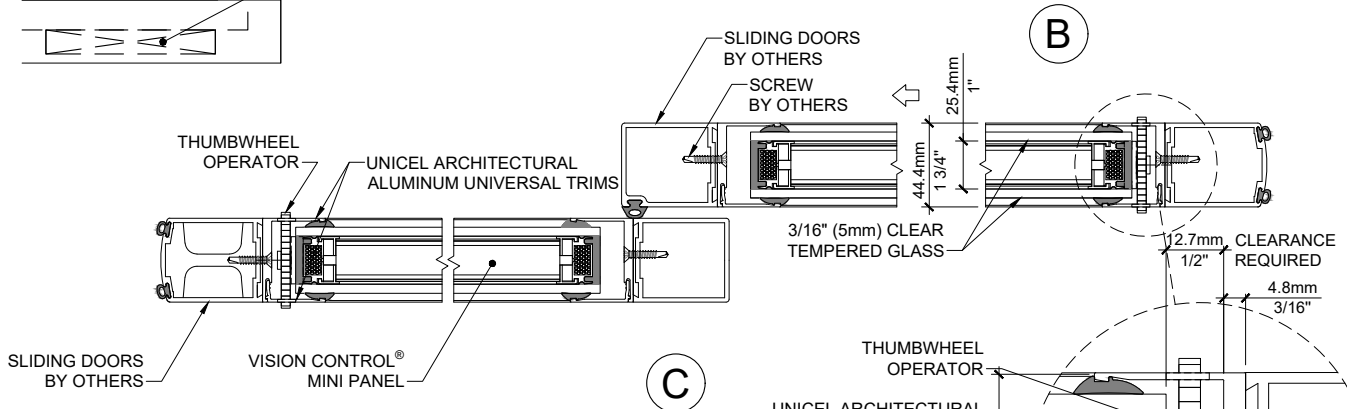
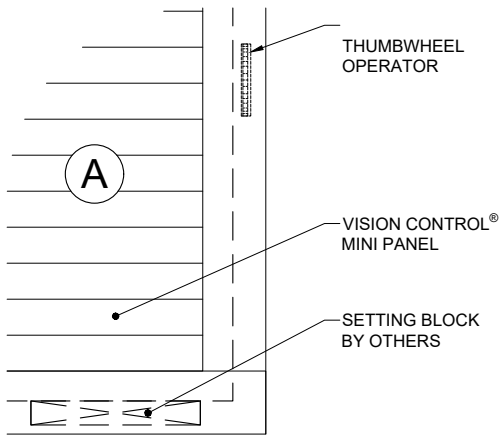
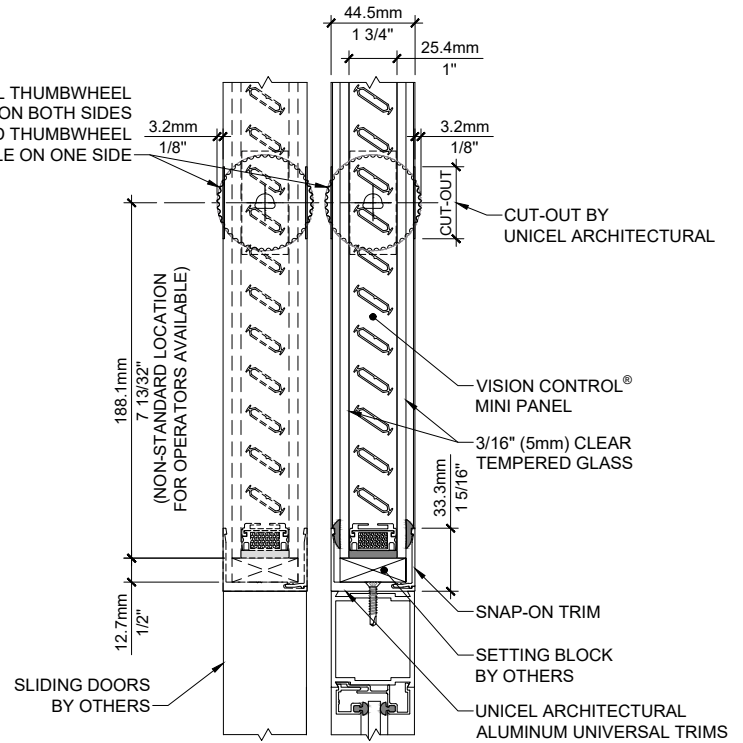
STANDARD FINISHES*	LOUVERS	UNIVERSAL TRIMS
DURACRON WHITE K-1285	✓	✓
DURACRON GRAY K-20794	✓	✓
CLEAR ANODIZED (CLASS II)	✓	✓

* OTHER FINISHES AVAILABLE UPON REQUEST.

THUMBWHEEL OPERABLE BOTH SIDES VISION CONTROL® MINI WITH UNIVERSAL ALUMINUM TRIMS SENT LOOSE



FULL THUMBWHEEL OPERATOR ACCESSIBLE ON BOTH SIDES
ALSO AVAILABLE: FAN-SHAPED THUMBWHEEL OPERATOR ACCESSIBLE ON ONE SIDE

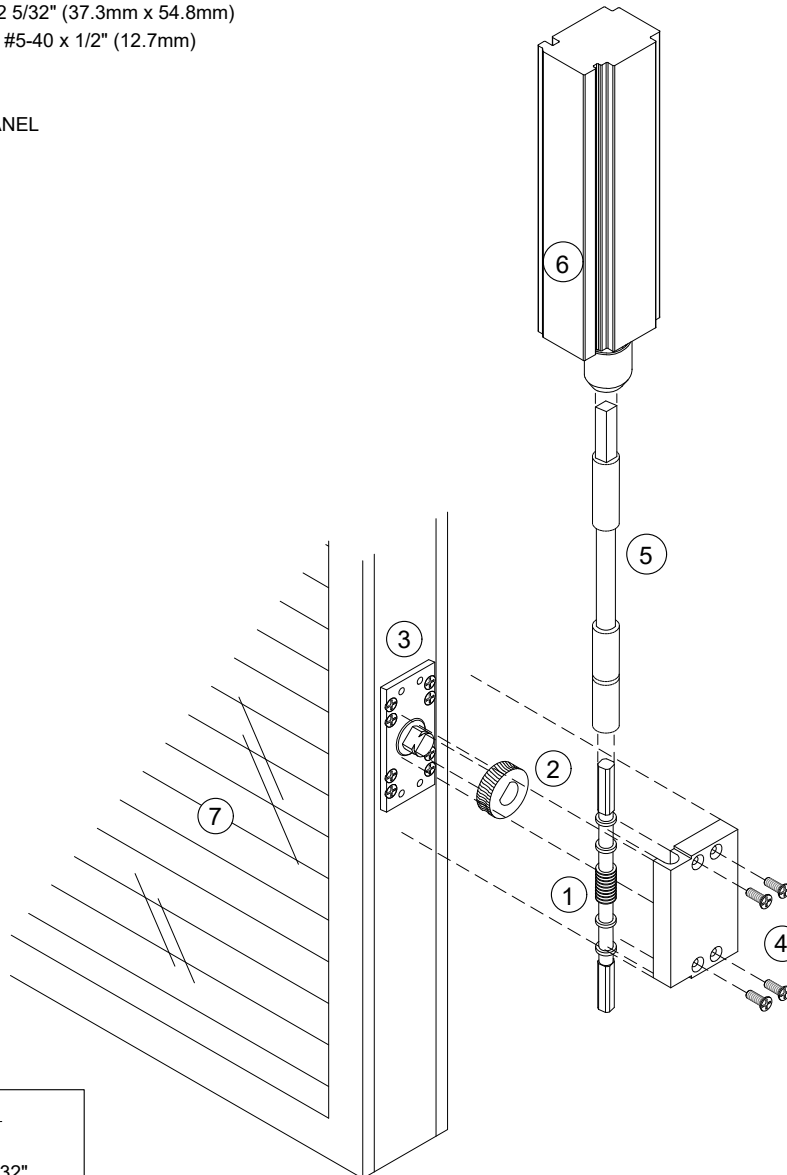


STANDARD FINISHES*	LOUVERS	UNIVERSAL TRIMS
DURACRON WHITE K-1285	✓	✓
DURACRON GRAY K-20794	✓	✓
CLEAR ANODIZED (CLASS II)	✓	✓

* OTHER FINISHES AVAILABLE UPON REQUEST.

SOMFY® MOTOR

- 1- WORM GEAR SHAFT
- 2- GEARING WHEEL
- 3- GEAR HOUSING 1 15/32" x 2 5/32" (37.3mm x 54.8mm)
- 4- PLASTIC COVER & SCREW #5-40 x 1/2" (12.7mm)
- 5- FLEXIBLE CABLE
- 6- SOMFY® MOTOR
- 7- VISION CONTROL® MINI PANEL



MOTOR SPECIFICATIONS:

- MODEL: SOMFY®
- APPROX. DIM.: 29/32" x 1 7/32"
(23.1mm x 31.2mm)
- AMP: 1.2
- VOLTS: 12 DC
- RPM: 68
- RTS: 433.42 MHZ

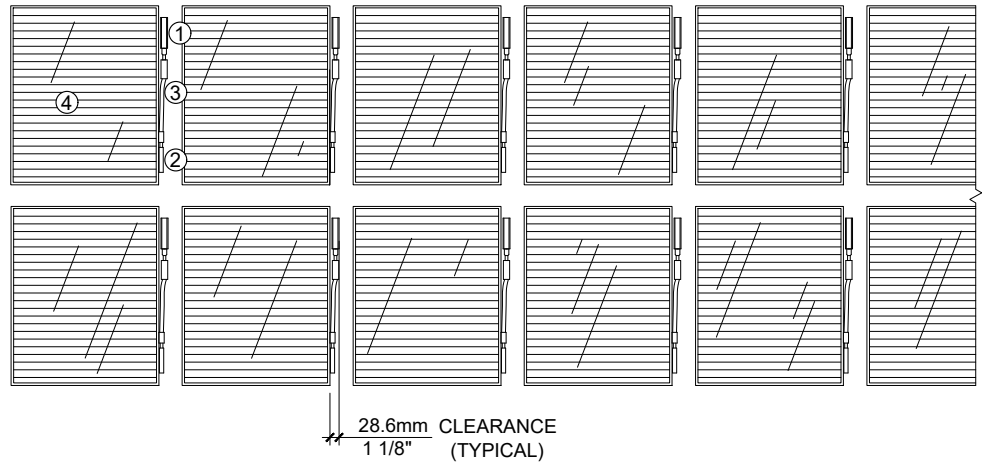
MOTOR TYPE TO BE DETERMINED BY UNICEL
ARCHITECTURAL'S ENGINEERING DEPARTMENT

NOTE: REFER TO APPROVED SHOP DRAWINGS FOR MORE INFORMATION

SOMFY® MOTOR

UNLIMITED NUMBER OF VISION CONTROL® MINI PANELS, ONE MOTOR PER UNIT

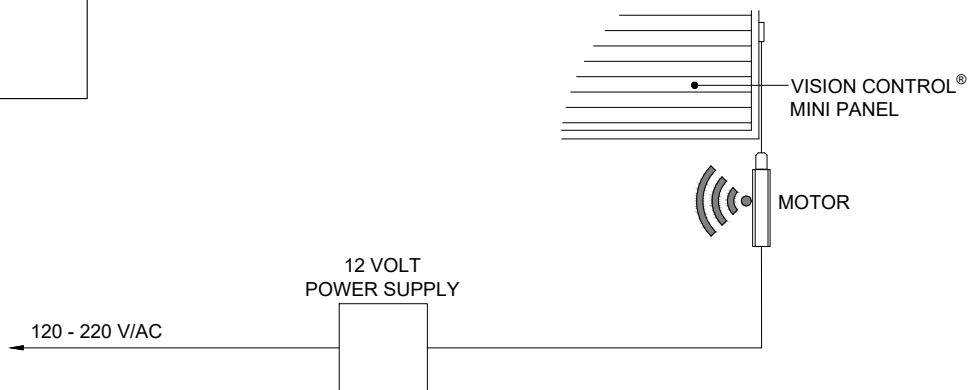
- 1- SOMFY® MOTOR
- 2- GEAR HOUSING 1 15/32" x 2 5/32"
(37.4mm x 54.8mm)
- 3- FLEXIBLE CABLE
- 4- VISION CONTROL® MINI PANEL



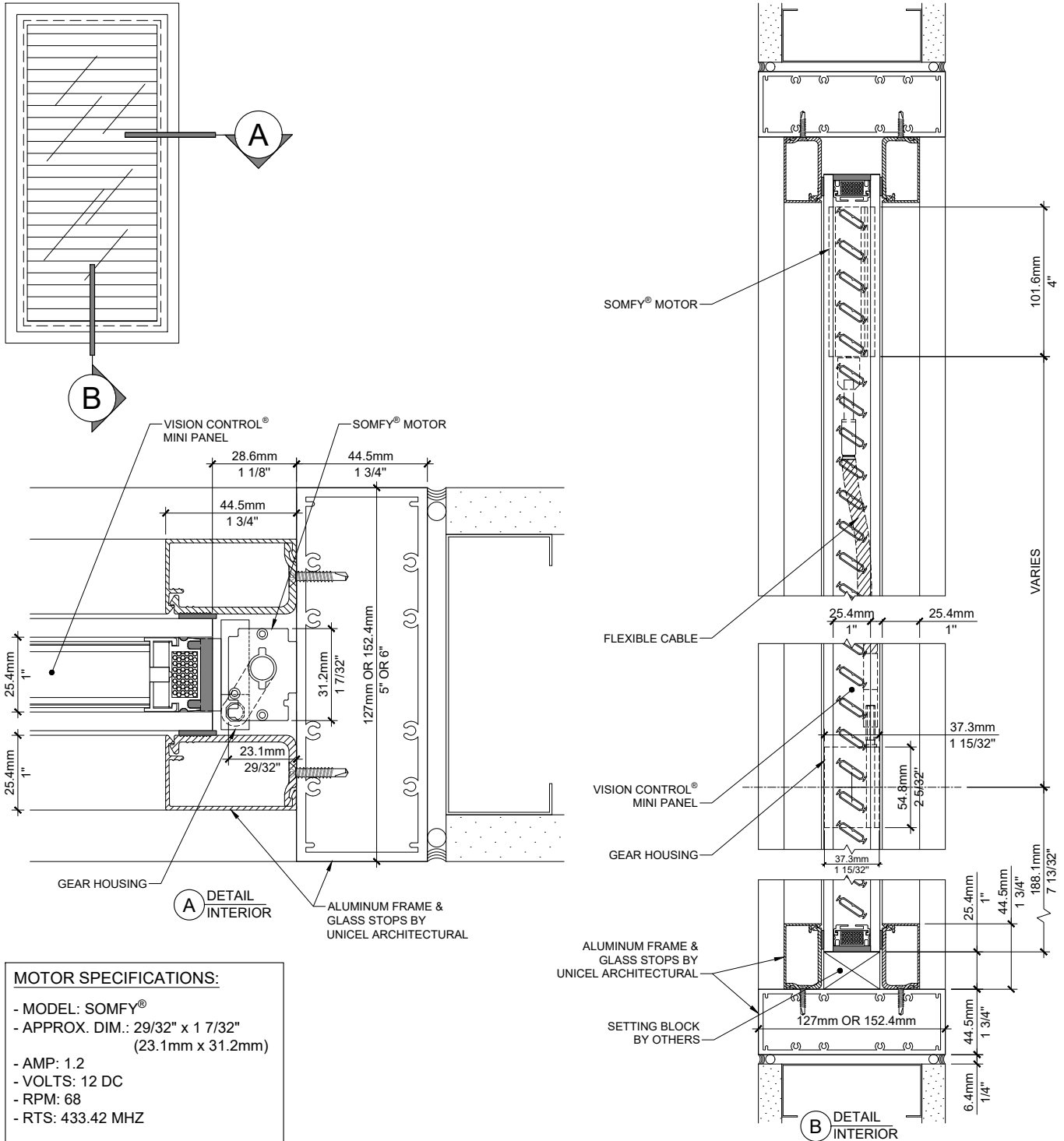
WIRING DIAGRAM FOR 12 VOLT DC MOTOR

MOTOR SPECIFICATIONS:

- MODEL: SOMFY®
- APPROX. DIM.: 29/32" x 1 7/32"
(23.1mm x 31.2mm)
- AMP: 1.2
- VOLTS: 12 DC
- RPM: 68
- RTS: 433.42 MHZ

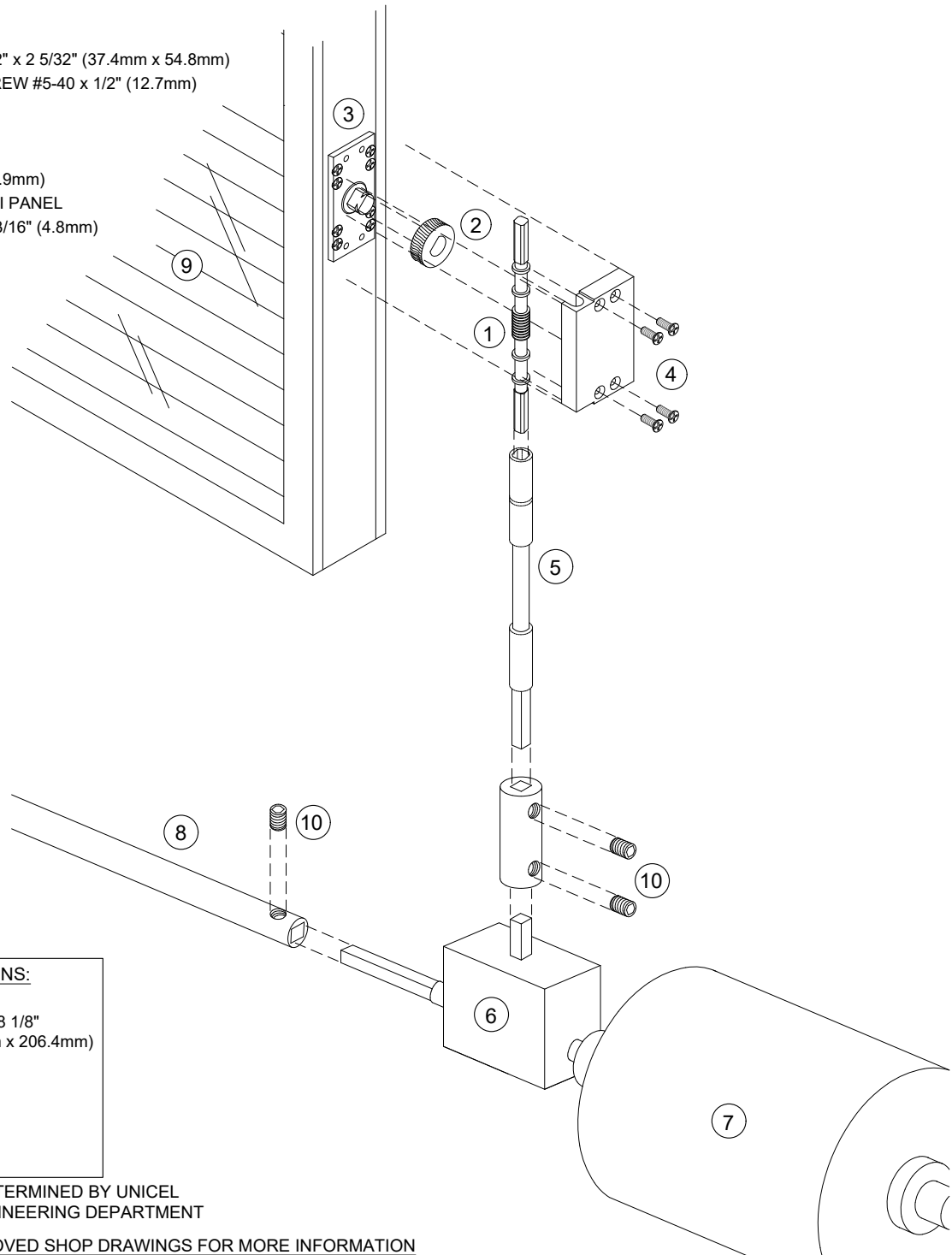


SOMFY® MOTOR



BALDOR® MOTOR

- 1- WORM GEAR SHAFT
- 2- GEARING WHEEL
- 3- GEAR HOUSING 1 15/32" x 2 5/32" (37.4mm x 54.8mm)
- 4- PLASTIC COVER & SCREW #5-40 x 1/2" (12.7mm)
- 5- FLEXIBLE CABLE
- 6- CORNER DRIVE
- 7- BALDOR® MOTOR
- 8- RIGID SHAFT 5/8" Ø (15.9mm)
- 9- VISION CONTROL® MINI PANEL
- 10- SET SCREW #10-24 x 3/16" (4.8mm)



MOTOR SPECIFICATIONS:

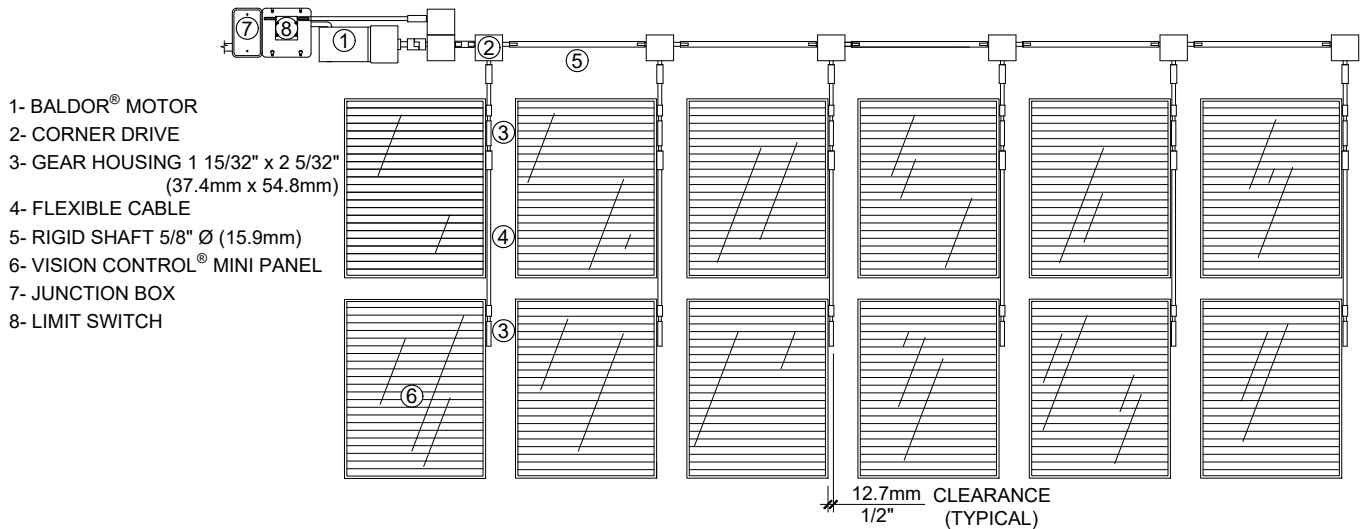
- MODEL: BALDOR®
- APPROX. DIM.: 3 3/4" x 8 1/8"
(95.3mm x 206.4mm)
- AMP: 1
- VOLTS: 120 AC
- RPM: 163
- HZ: 60
- PHASE: 1
- TORQUE 28.5 IN-LB

MOTOR TYPE TO BE DETERMINED BY UNICEL ARCHITECTURAL'S ENGINEERING DEPARTMENT

NOTE: REFER TO APPROVED SHOP DRAWINGS FOR MORE INFORMATION

BALDOR® MOTOR

MAXIMUM OF 12 VISION CONTROL® MINI PANELS PER MOTOR (MAY VARY DEPENDING ON SIZES)

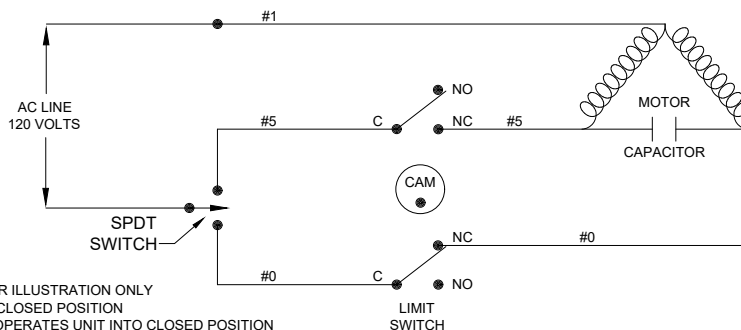


WIRING DIAGRAM FOR 120 VOLT AC MOTOR WITH LIMIT SWITCH

MOTOR SPECIFICATIONS:

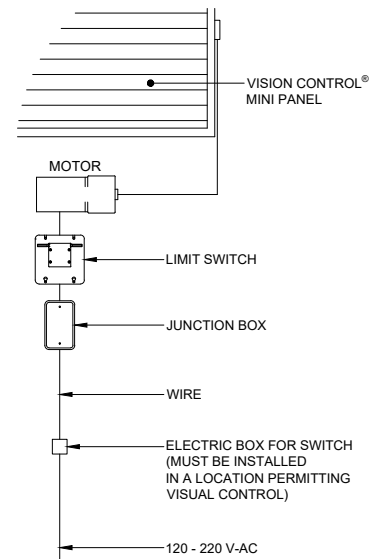
- MODEL: BALDOR®
- APPROX. DIM.: 3 3/4" x 8 1/8"
(95.3mm x 206.4mm)
- AMP: 1
- VOLTS: 120 AC
- RPM: 163
- HZ: 60
- PHASE: 1
- TORQUE 28.5 IN-LB

ELECTRICAL DIAGRAM



NOTES:

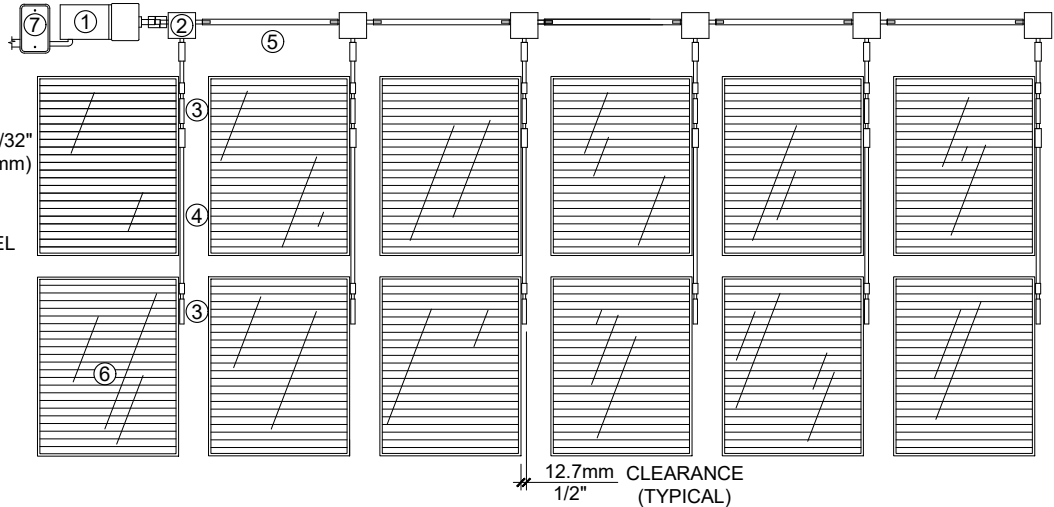
- 1- SWITCH SPDT SHOWN FOR ILLUSTRATION ONLY
- 2- LIMIT SWITCH SHOWN IN CLOSED POSITION
- 3- POWER TO THE #5 WIRE OPERATES UNIT INTO CLOSED POSITION
- 4- POWER TO THE #0 WIRE OPERATES UNIT INTO CLOSED POSITION



BALDOR® MOTOR

MAXIMUM OF 12 VISION CONTROL® MINI PANELS PER MOTOR (MAY VARY DEPENDING ON SIZES)

- 1- BALDOR® MOTOR
- 2- CORNER DRIVE
- 3- GEAR HOUSING 1 15/32" x 2 5/32"
(37.4mm x 54.8mm)
- 4- FLEXIBLE CABLE
- 5- RIGID SHAFT 5/8" Ø (15.9mm)
- 6- VISION CONTROL® MINI PANEL
- 7- JUNCTION BOX

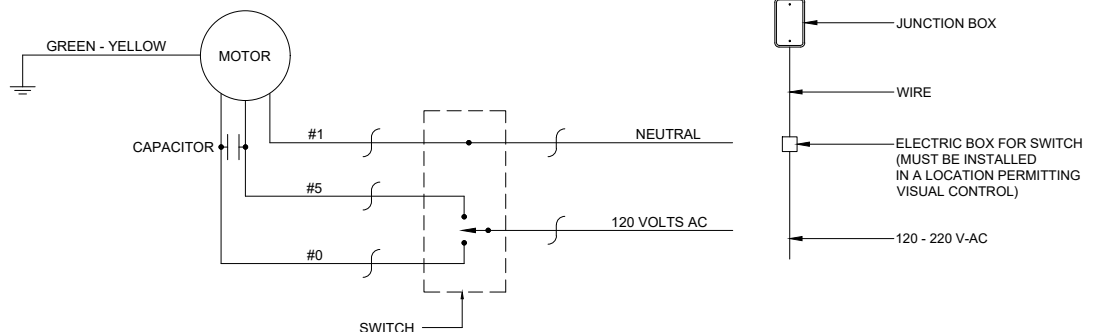


WIRING DIAGRAM FOR 120 VOLT AC MOTOR WITHOUT LIMIT SWITCH

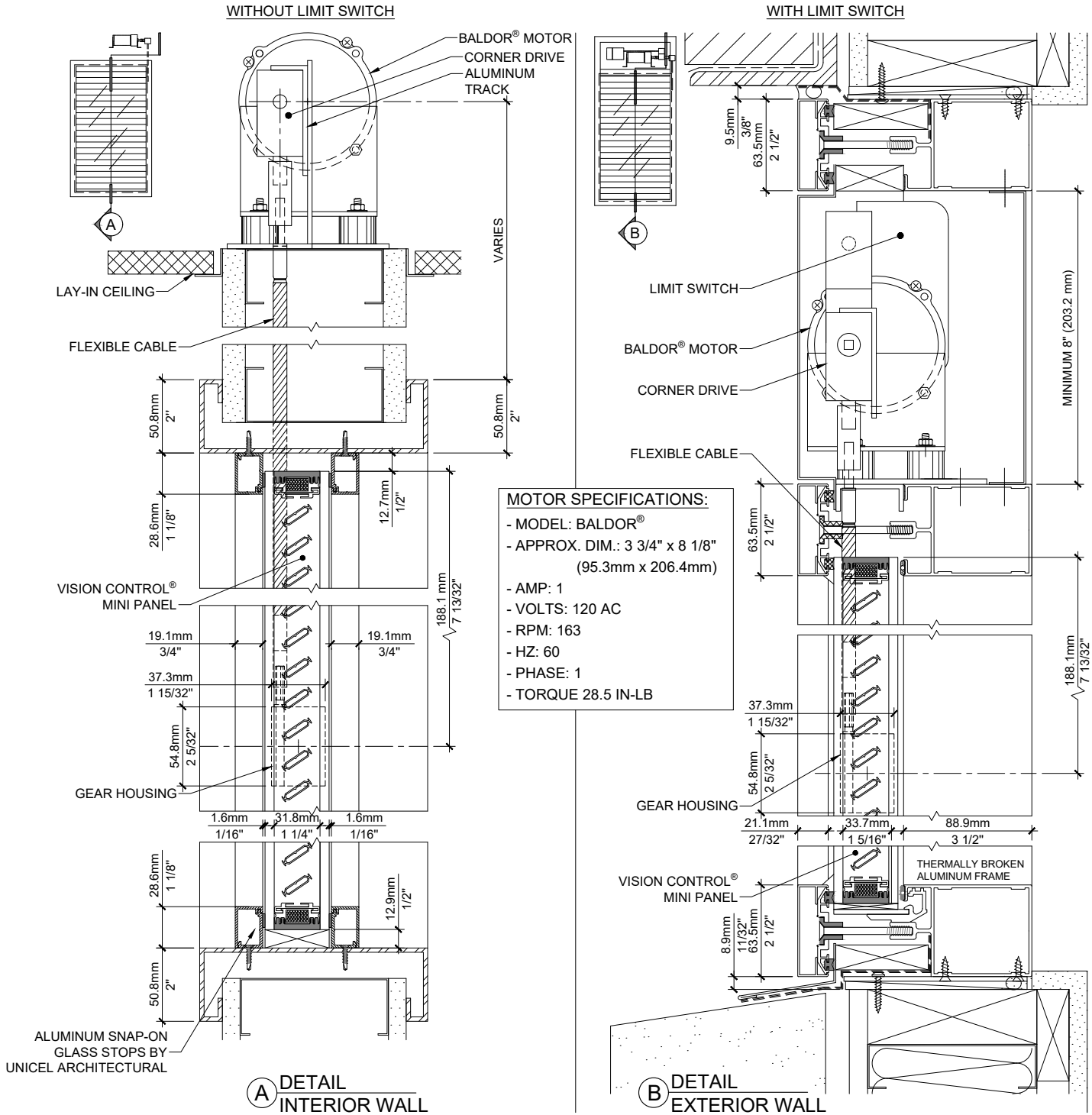
MOTOR SPECIFICATIONS:

- MODEL: BALDOR®
- APPROX. DIM.: 3 3/4" x 8 1/8"
(95.3mm x 206.4mm)
- AMP: 1
- VOLTS: 120 AC
- RPM: 163
- HZ: 60
- PHASE: 1
- TORQUE 28.5 IN-LB

ELECTRICAL DIAGRAM

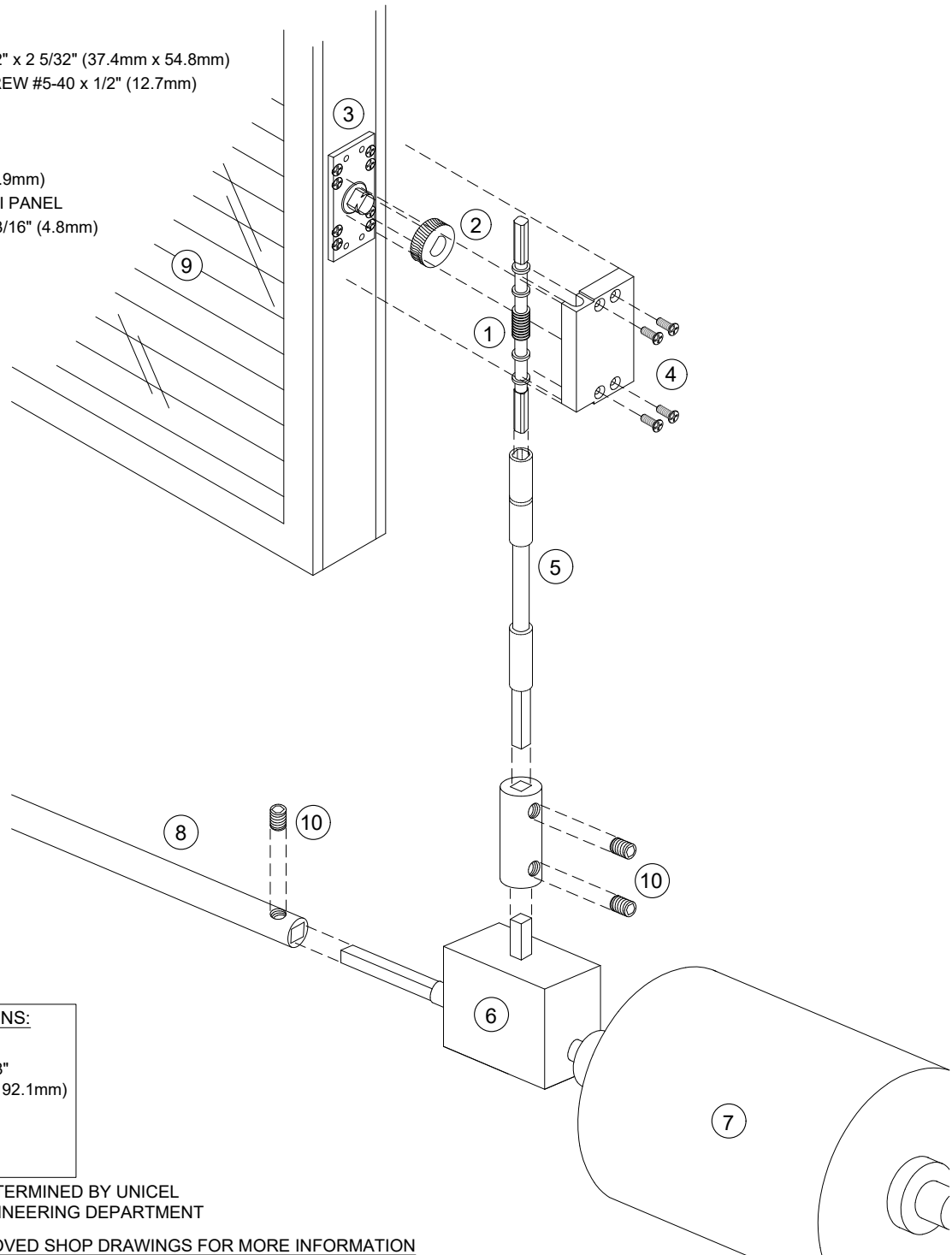


BALDOR® MOTOR
(SUGGESTED DETAIL)



PITTMAN® MOTOR

- 1- WORM GEAR SHAFT
- 2- GEARING WHEEL
- 3- GEAR HOUSING 1 15/32" x 2 5/32" (37.4mm x 54.8mm)
- 4- PLASTIC COVER & SCREW #5-40 x 1/2" (12.7mm)
- 5- FLEXIBLE CABLE
- 6- CORNER DRIVE
- 7- PITTMAN® MOTOR
- 8- RIGID SHAFT 5/8" Ø (15.9mm)
- 9- VISION CONTROL® MINI PANEL
- 10- SET SCREW #10-24 x 3/16" (4.8mm)



MOTOR SPECIFICATIONS:

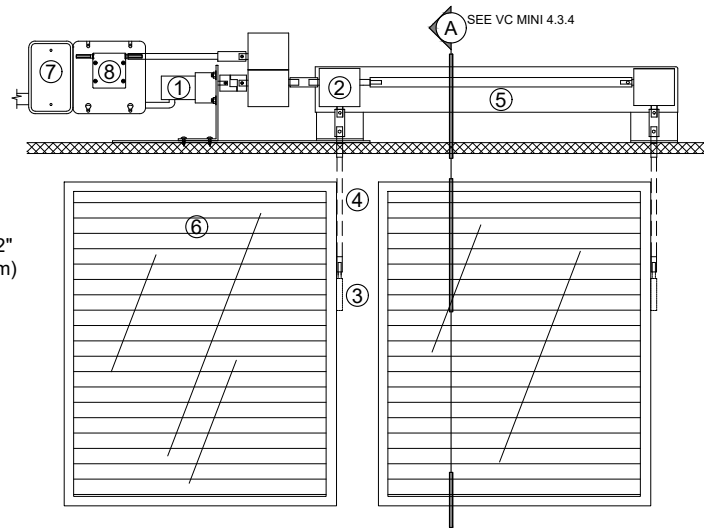
- MODEL: PITTMAN®
- APPROX. DIM.: 2" x 3 5/8"
(50.8mm x 92.1mm)
- AMP: 0.6
- VOLTS: 24 DC
- RPM: 160

MOTOR TYPE TO BE DETERMINED BY UNICEL
ARCHITECTURAL'S ENGINEERING DEPARTMENT

NOTE: REFER TO APPROVED SHOP DRAWINGS FOR MORE INFORMATION

PITTMAN® MOTOR

MAXIMUM OF 4 VISION CONTROL® MINI PANELS PER MOTOR (MAY VARY DEPENDING ON SIZES)



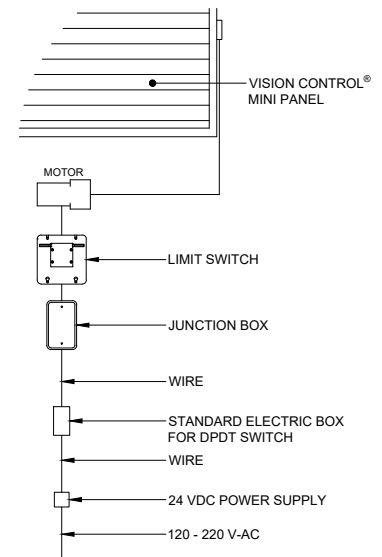
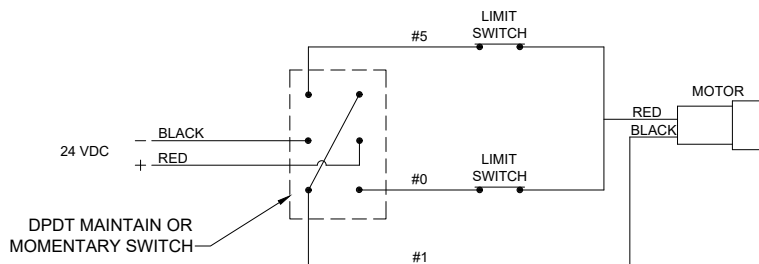
- 1- PITTMAN® MOTOR
- 2- CORNER DRIVE
- 3- GEAR HOUSING 1 15/32" x 2 5/32"
(37.4mm x 54.8mm)
- 4- FLEXIBLE CABLE
- 5- RIGID SHAFT 5/8" Ø (15.9mm)
- 6- VISION CONTROL® MINI PANEL
- 7- JUNCTION BOX
- 8- LIMIT SWITCH

WIRING DIAGRAM FOR 24 VDC MOTOR WITH LIMIT SWITCH

MOTOR SPECIFICATIONS:

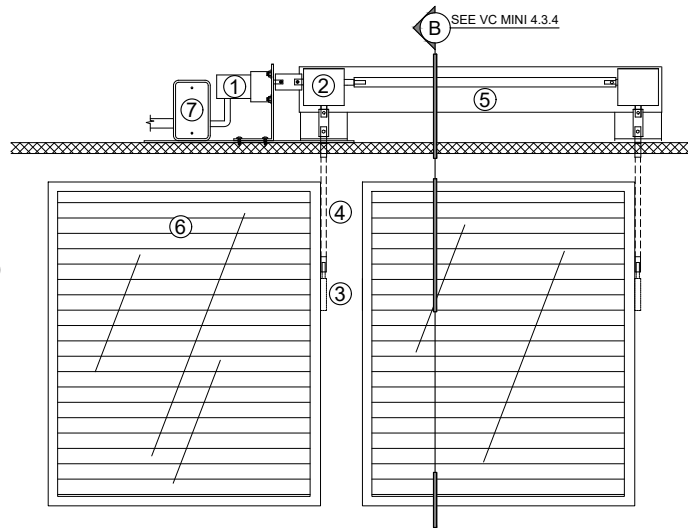
- MODEL: PITTMAN®
- APPROX. DIM.: 2" x 3 5/8"
(50.8mm x 92.1mm)
- AMP: 0.6
- VOLTS: 24 DC
- RPM: 160

ELECTRICAL DIAGRAM



PITTMAN® MOTOR

MAXIMUM OF 4 VISION CONTROL® MINI PANELS PER MOTOR (MAY VARY DEPENDING ON SIZES)



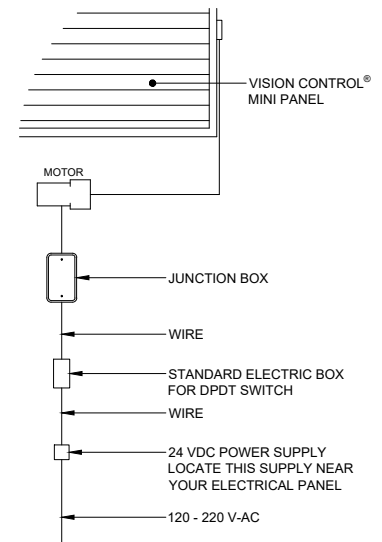
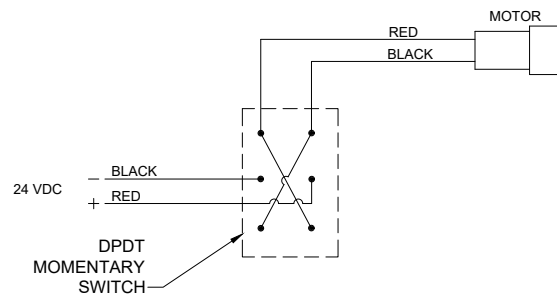
- 1- PITTMAN® MOTOR
- 2- CORNER DRIVE
- 3- GEAR HOUSING 1 15/32" x 2 5/32"
(37.4mm x 54.8mm)
- 4- FLEXIBLE CABLE
- 5- RIGID SHAFT 5/8" Ø (15.9mm)
- 6- VISION CONTROL® MINI PANEL
- 7- JUNCTION BOX

WIRING DIAGRAM FOR 24 VDC MOTOR WITHOUT LIMIT SWITCH

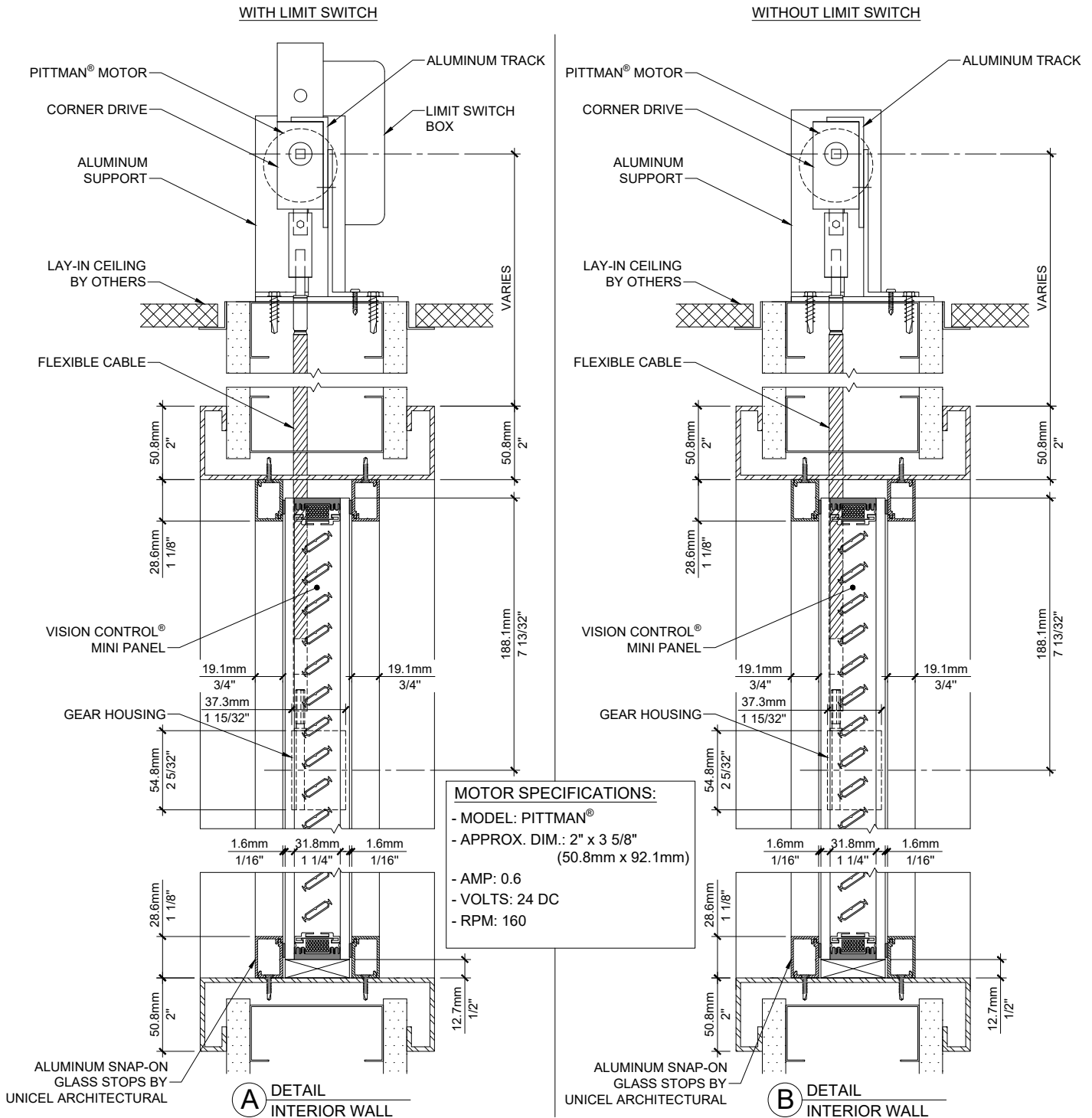
MOTOR SPECIFICATIONS:

- MODEL: PITTMAN®
- APPROX. DIM.: 2" x 3 5/8"
(50.8mm x 92.1mm)
- AMP: 0.6
- VOLTS: 24 DC
- RPM: 160

ELECTRICAL DIAGRAM



PITTMAN® MOTOR
(SUGGESTED DETAIL)



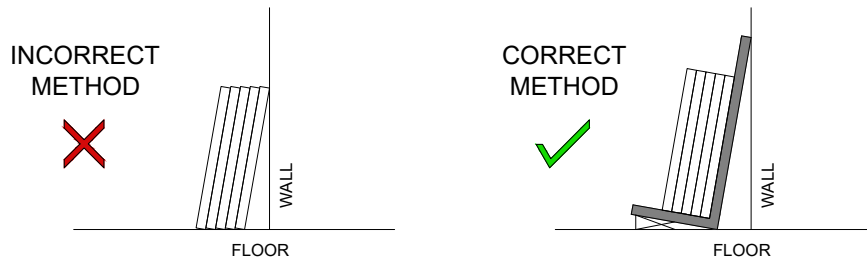
Storage Instructions

A. In Crates

Crates must be kept upright, covered, ventilated and in a dry and safe location.

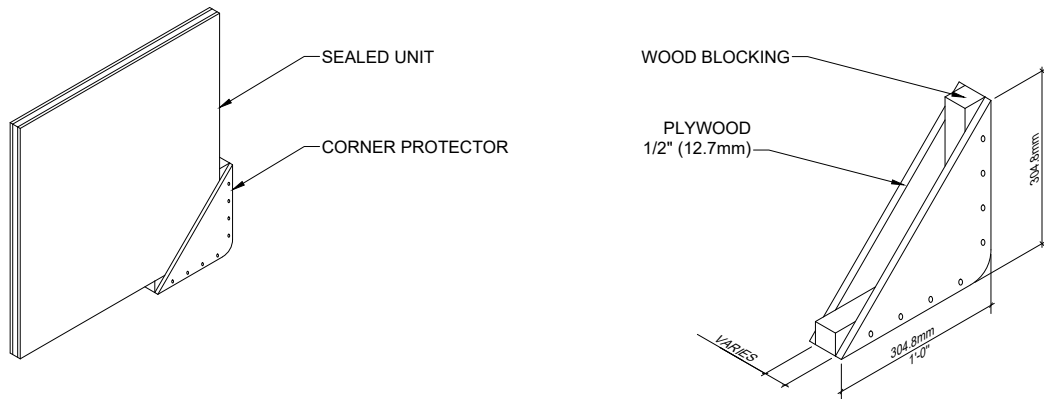
B. Loose Lots

Sealed units must be upright, on blocks and in a safe and dry location. Sealed units should not be stored in a stack, or in direct sunlight as heat build-up may cause breakage. Sealed units should have a base to provide support to all component lites of the unit so that individual lites will not slide out of alignment or out of square causing seal failure or breakage.

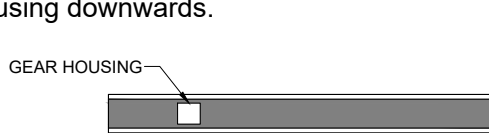


Handling Instructions

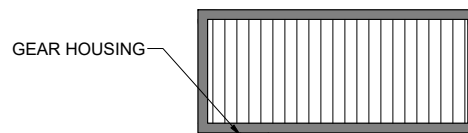
A. Extreme care must be taken when a unit is being moved. Edges and corners should be protected in order to prevent glass from fracturing. The use of a corner protector is suggested.



B. When moving Vision Control® Mini sealed glass panels, always do so as indicated below, flat or the gear housing downwards.



Method 1 : Flat



Method 2 : Gear housing down

GLAZING INSTRUCTIONS

Frame/Sash

1. All framing members must be specifically designed to accept the glass specified and must have adequate structural strength to support the weight of the glass without deformation.
2. Frame and/or sash must be level, plumb, square and in plane and also be free of any glazing obstruction.
3. Joints must be adequately buttered with sealant to prevent water and air infiltration and all sill members must have weep holes to the outside.

Clearance and edge bite

1. Adequate edge and face clearances must be provided to allow the glass to float freely in the opening, without undue restriction by the framing members. The recommended clearance on both vertical edges of the units is a minimum of 1/2" (12.7mm), (9/16" (14.3mm) for double panels) and 1 1/8" for Somfy® motors.
2. Adequate bite is mandatory to maintain a watertight, weather-proof seal as well as retain the glass in the opening under conditions of wind loading and deformation of the framing members.

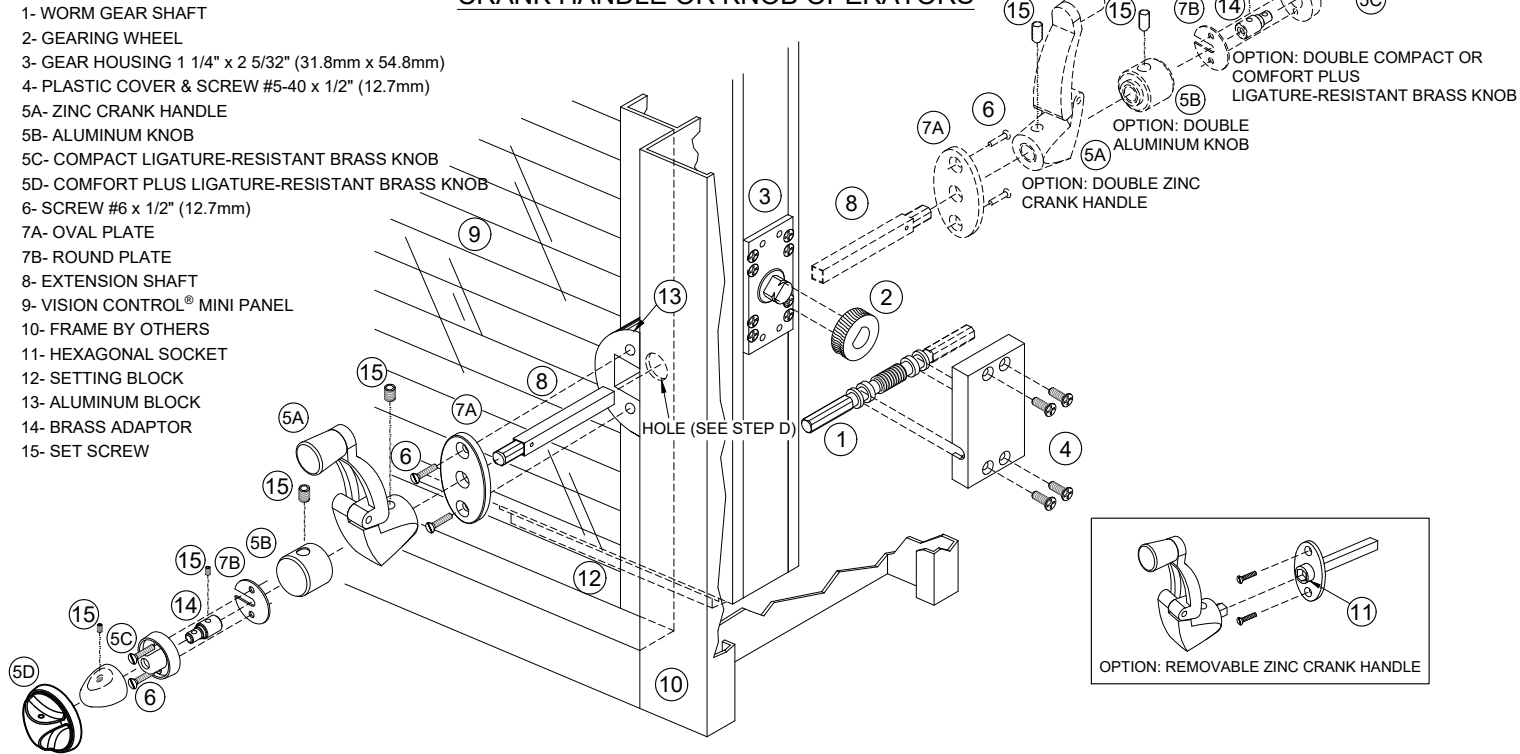
Setting blocks and spacers

1. Silicone setting blocks should be used on the bottom edge of each lite. Place setting blocks at the end points.

Sealing materials

1. For channel glazing, use only a non-hardening, non-corrosive, gun-applied sealant specifically recommended by the sealant manufacturer for the type of glass specified
2. In no case shall glazing be performed with any oleo-resinous or oil-base compounds, nor shall any glazing sealant be diluted or thinned with any solvent.
3. Never fill the space between the bottom edge of the glass and the sill. This will interfere with the weepage system.
4. All sealants must be applied to provide an absolute watertight seal; on insulating glass units, sealant must contact the glass a minimum of 1/8" (3.2mm) above the metal edge protection.
5. Sash with neoprene or structural neoprene gaskets must have a supplementary wet seal applied between the gasket and the glass, at the bottom edge (sill) of the glass and 6" (152mm) up on each jamb. Sill section of all structural neoprene gaskets must have weep holes to the exterior.
6. Special care must be taken when glazing laminated glass, polycarbonates and glass-clad polycarbonates, as they may react unfavorably with certain sealant components. Sealants made of 100% solid components, containing no solvents, must be used. Verify with your sealant manufacturer.
7. All surfaces to be sealed must be completely clean and dry. Verify with sealant manufacturer's recommendations for proper cleaning procedures.

CRANK HANDLE OR KNOB OPERATORS



- A. Install stainless steel worm gear shaft **1** into the cavity provided for it in the plastic cover **4**. To insert the worm gear shaft in position, center the worm gear shaft between two rings and press firmly. Insert the white gearing wheel **2** on the brass shaft.
- B. Make sure that the gear housing **3** is free of dirt. Screw the plastic cover **4** in place. Do not use excessive torque on screws in securing the plastic cover.
- C. (Skip this step if the operator is a compact ligature-resistant knob **5C** or a comfort plus ligature-resistant knob **5D**). Test the functionality of the units by temporarily installing the operator **5A** or **5B** and tightening the set screw **15**. The mechanism is self-reversing and should be tested as follows: Turn the operator in one direction (e.g. clockwise). When the louvers reach the closed position, continue turning 4-8 times in the same direction (e.g. clockwise) without fear of breaking the mechanism until the louvers eventually re-open. Complete two full louver cycles by turning the operator in the same direction (e.g. clockwise). Repeat these steps in the opposite direction (e.g. counter-clockwise) for two more full louver cycles.
- D. Drill the following hole (behind the aluminum block **13**) in glass stop at the appropriate position (for worm gear shaft **1** according to Unicel Architectural's approved shop drawings): for the zinc crank handle **5A**, the aluminum knob **5B**, drill a 5/8" (15.9mm) diameter hole; for the compact ligature-resistant brass knob **5C** and for the comfort plus ligature-resistant brass knob **5D**, drill a 3/8" (9.5mm) diameter hole.
- E. Install setting blocks **12** under the metal plates glued to the unit. Make sure they are sufficiently rigid to secure glass panel into its permanent position.
- F. Install the Vision Control® Mini panel **9** in the opening which must be level, plumb, square and in plane. Make sure the shaft **1** is centered in the hole drilled in step D.
- G. Where necessary, install aluminum supporting block **13** by securing with screws.
- H. According to operator:
 1. Zinc crank handle: Screw the oval plate **7A**, the crank handle **5A** and extension shaft **8** into the the frame with screws **6**. Tighten the set screw **15** of the crank handle **5A** if loose.
 2. Aluminum knob: Screw the oval plate **7A**, the knob **5B** and extension shaft **8** into the the frame with screws **6**. Tighten the set screw **15** of the knob **5B** if loose.
 3. Compact ligature-resistant brass knob and comfort plus ligature-resistant brass knob: Assemble the extension shaft **8** with the round plate **7B** and the brass adaptor **14** and tighten the first set screw. Fix the assembly and the base of the knob **5C** or **5D** into the frame with screws **6**. Push the knob **5C** or **5D** into its base and tighten the second set screw **15**.

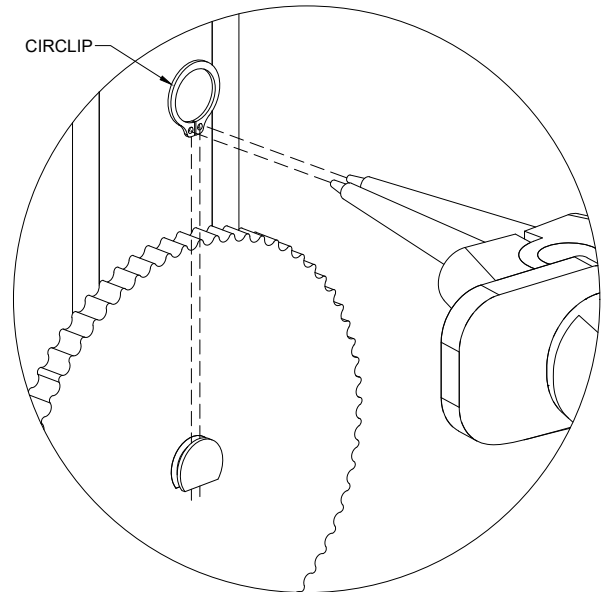
FULL THUMBWHEEL OPERATOR

IMPORTANT NOTE:

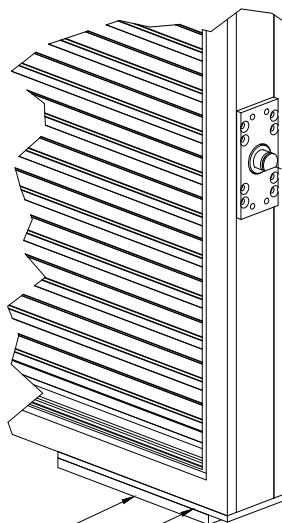
Various thumbwheel diameters may occur throughout this order. Please refer to approved shop drawings to identify the proper thumbwheel diameter size to install.

This operation must be performed before installing the glass units in their respective openings.

Test the functionality of the units by turning the thumbwheel in one direction (e.g. clockwise). When the louvers reach the closed position, continue turning in the same direction (e.g. clockwise) without fear of breaking the mechanism until the louvers eventually re-open. Complete two full louver cycles by turning the operator, always in the same direction (e.g. clockwise). Repeat these steps in the opposite direction (e.g. counter-clockwise) for two more full louver cycles.

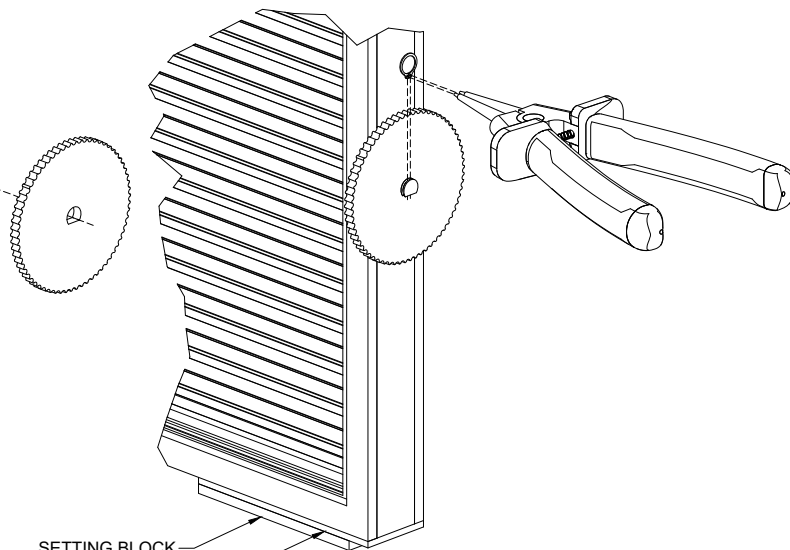


STEP 1



SETTING BLOCK
METAL PLATE

STEP 2



SETTING BLOCK
METAL PLATE

ADDITIONAL INSTRUCTIONS

Install setting blocks under the metal plates glued to each unit. Make sure they are sufficiently rigid to secure the glass panels into their permanent position. The units must be level, plumb, square and in plane. Install the glass stops, which should have been notched at predetermined locations according to approved shop drawings, to accommodate thumbwheel operator.

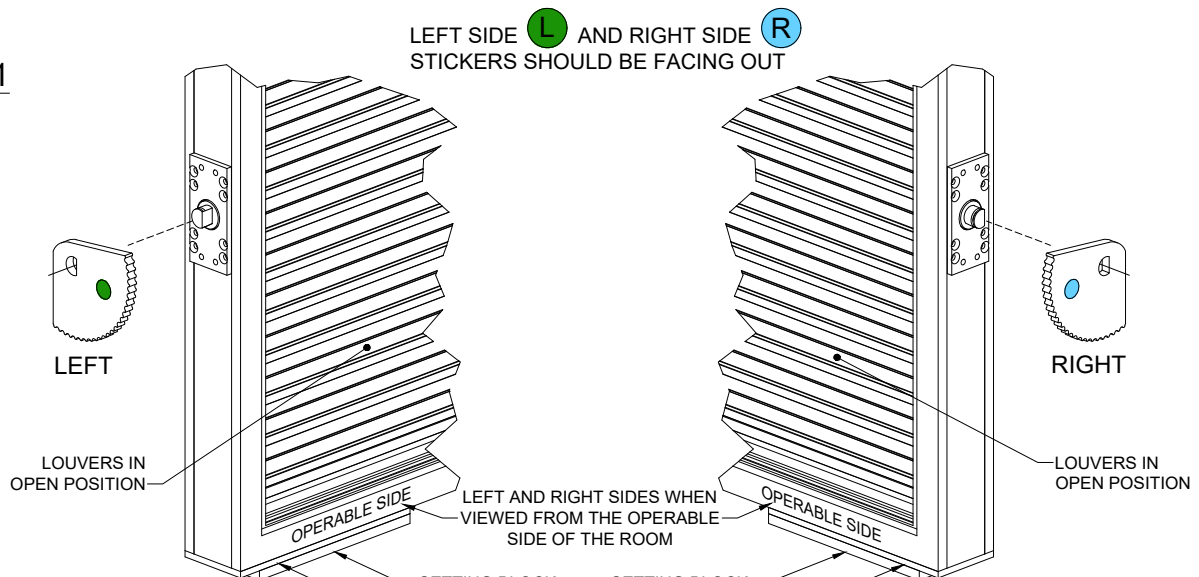
FAN-SHAPED THUMBWHEEL OPERATORS

IMPORTANT NOTE:

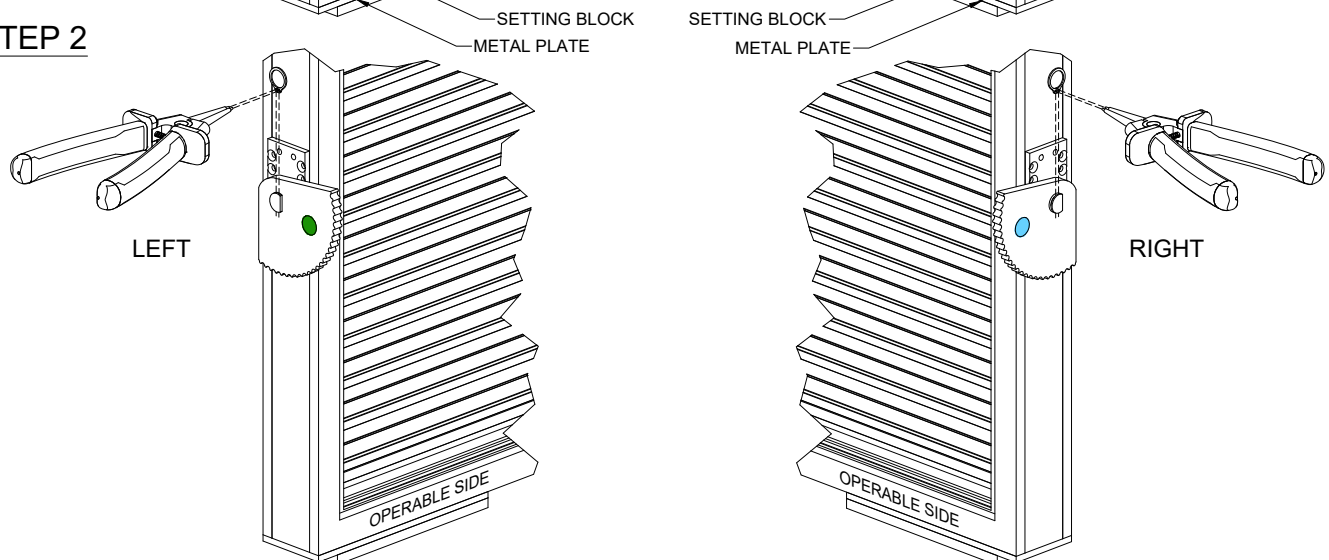
Various thumbwheel diameters may occur throughout this order.
Please refer to approved shop drawings to identify the proper thumbwheel diameter size to install.

This operation must be performed before installing the glass units in their respective openings.
Follow the instructions for either left side or right side, as required.

STEP 1



STEP 2



ADDITIONAL INSTRUCTIONS

Install setting blocks under the metal plates glued to each unit. Make sure they are sufficiently rigid to secure the glass panels into their permanent position. The units must be level, plumb, square and in plane. Install the glass stops, which should have been notched at predetermined locations according to approved shop drawings, to accommodate thumbwheel operator.

FAN-SHAPED THUMBWHEEL OPERATORS

IMPORTANT NOTE:

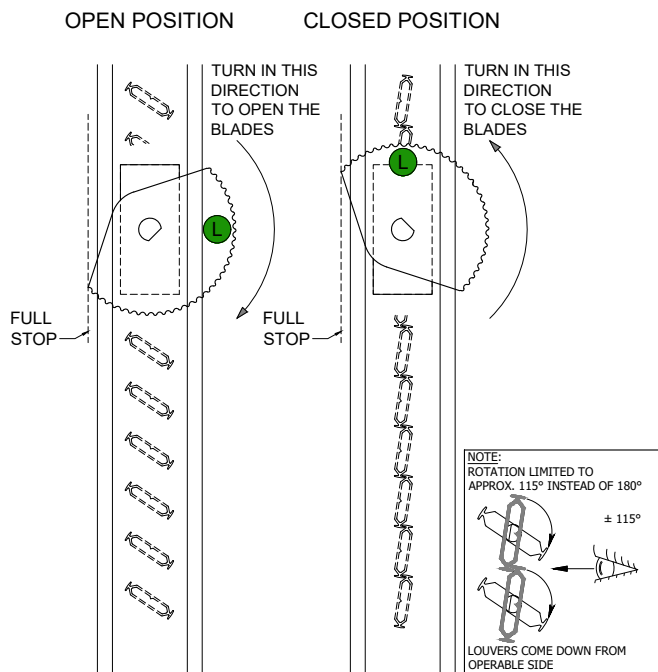
Various thumbwheel diameters may occur throughout this order.
Please refer to approved shop drawings to identify the proper thumbwheel diameter size to install.

This operation must be performed before installing the glass units in their respective openings.

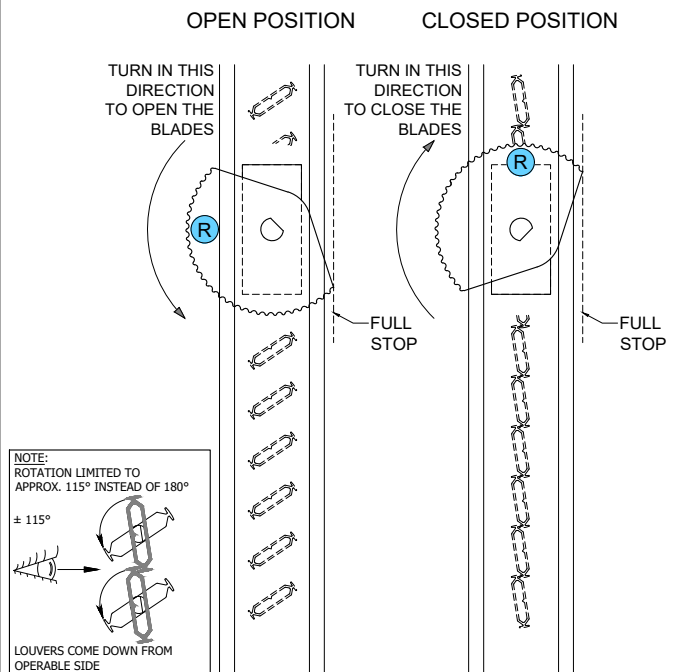
Applicable for both left and right sides.
If this orientation is not observed, remove the thumbwheel, flip it and re-install it.

STEP 3

LEFT SIDE FAN-SHAPED THUMBWHEEL



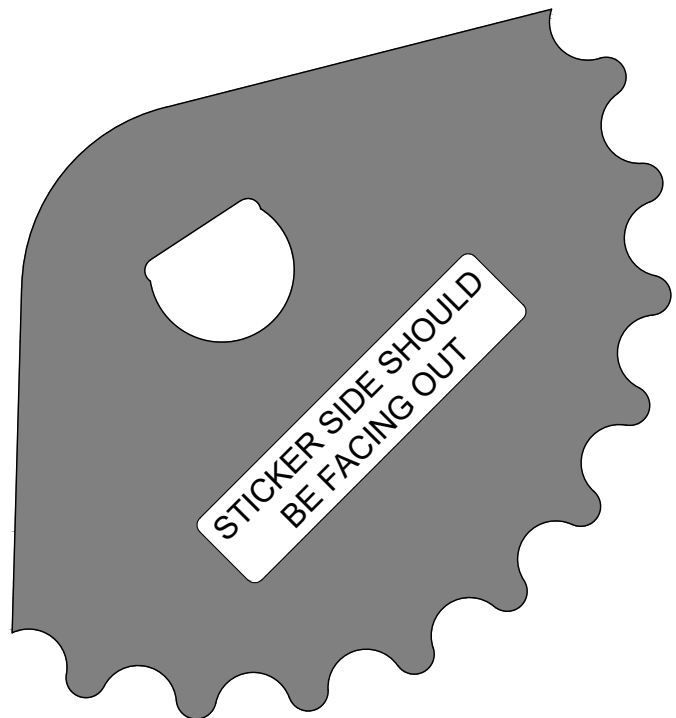
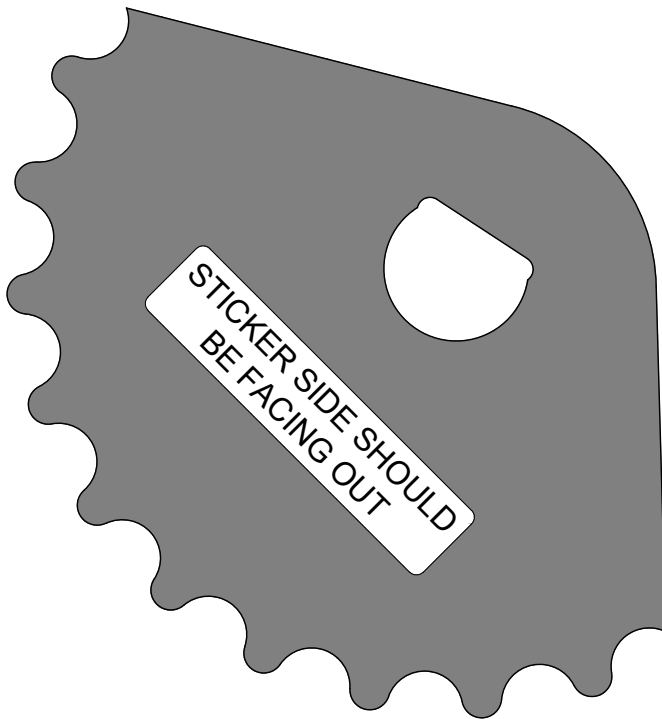
RIGHT SIDE FAN-SHAPED THUMBWHEEL



FAN-SHAPED THUMBWHEEL OPERATORS FOR VISION CONTROL® MINI UNITS WITH DOUBLE WHEELS

IMPORTANT NOTE FOR INSTALLATION:

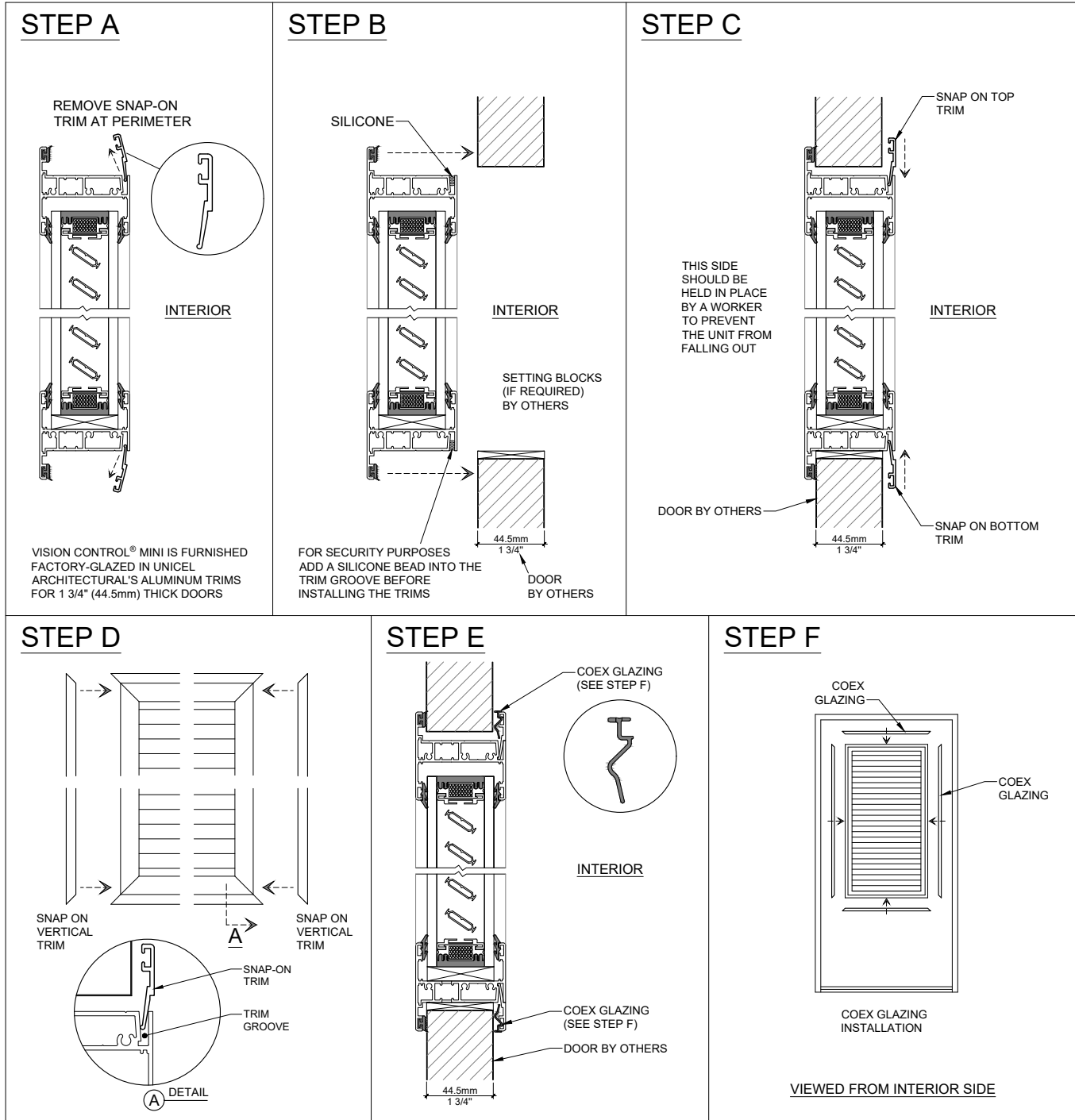
1. **Do not turn** the brass hubs of the glass units!
2. Install the wheels, sticker side facing out. **Do not turn the wheels in any direction.**
3. If the wheels are turned, it could cause irreversible damage to the mechanism of the unit.



4. Install Vision Control® Mini glass in openings according to shop drawings. Install glass stops at perimeter, on both sides of the window.
5. Thumbwheels may now be turned.

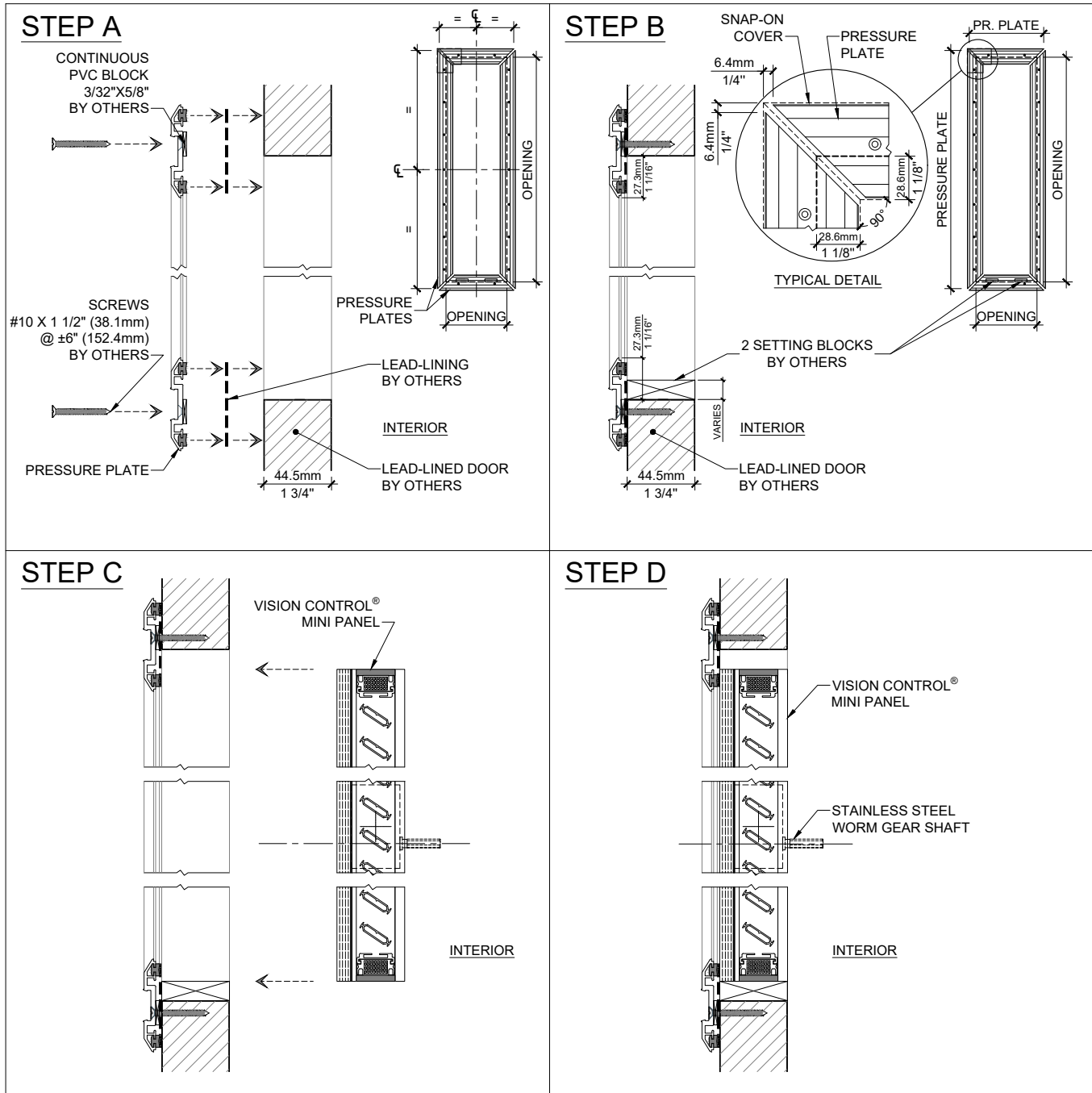
FOR DOORS: VISION CONTROL® MINI FURNISHED FACTORY-GLAZED IN UNICEL ARCHITECTURAL'S ALUMINUM TRIMS

Test the functionality of the units by turning the operator several times in each direction.

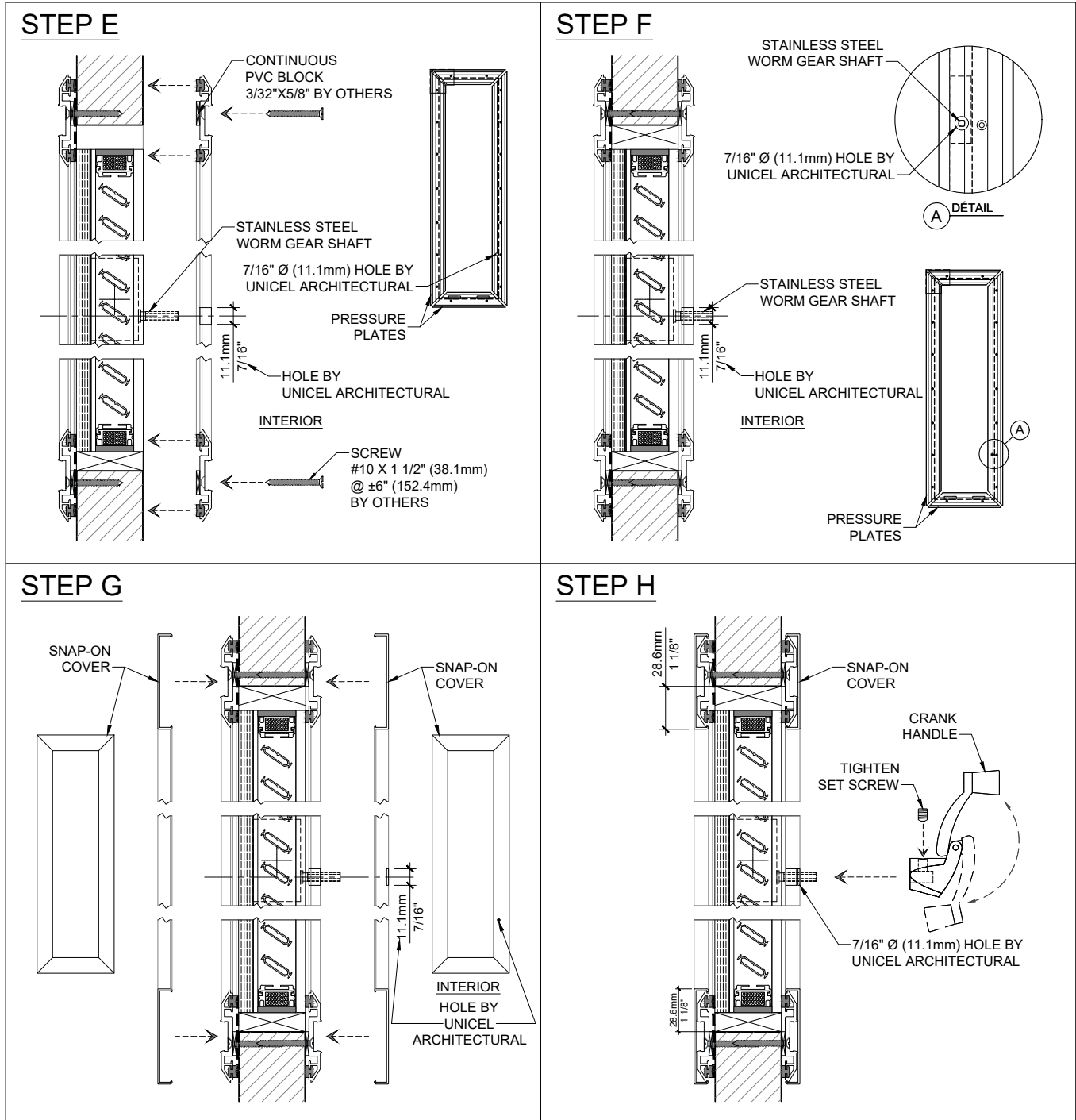


ZINC CRANK HANDLE OPERABLE ON ONE SIDE

Test the functionality of the units by temporarily installing the operator and tightening the set screw. The mechanism is self-reversing and should be tested as follows: Turn the operator in one direction (e.g. clockwise). When the louvers reach the closed position, continue turning 4-8 times in the same direction (e.g. clockwise) without fear of breaking the mechanism until the louvers eventually re-open. Complete two full louver cycles by turning the operator in the same direction (e.g. clockwise). Repeat these steps in the opposite direction (e.g. counter-clockwise) for two more full louver cycles.

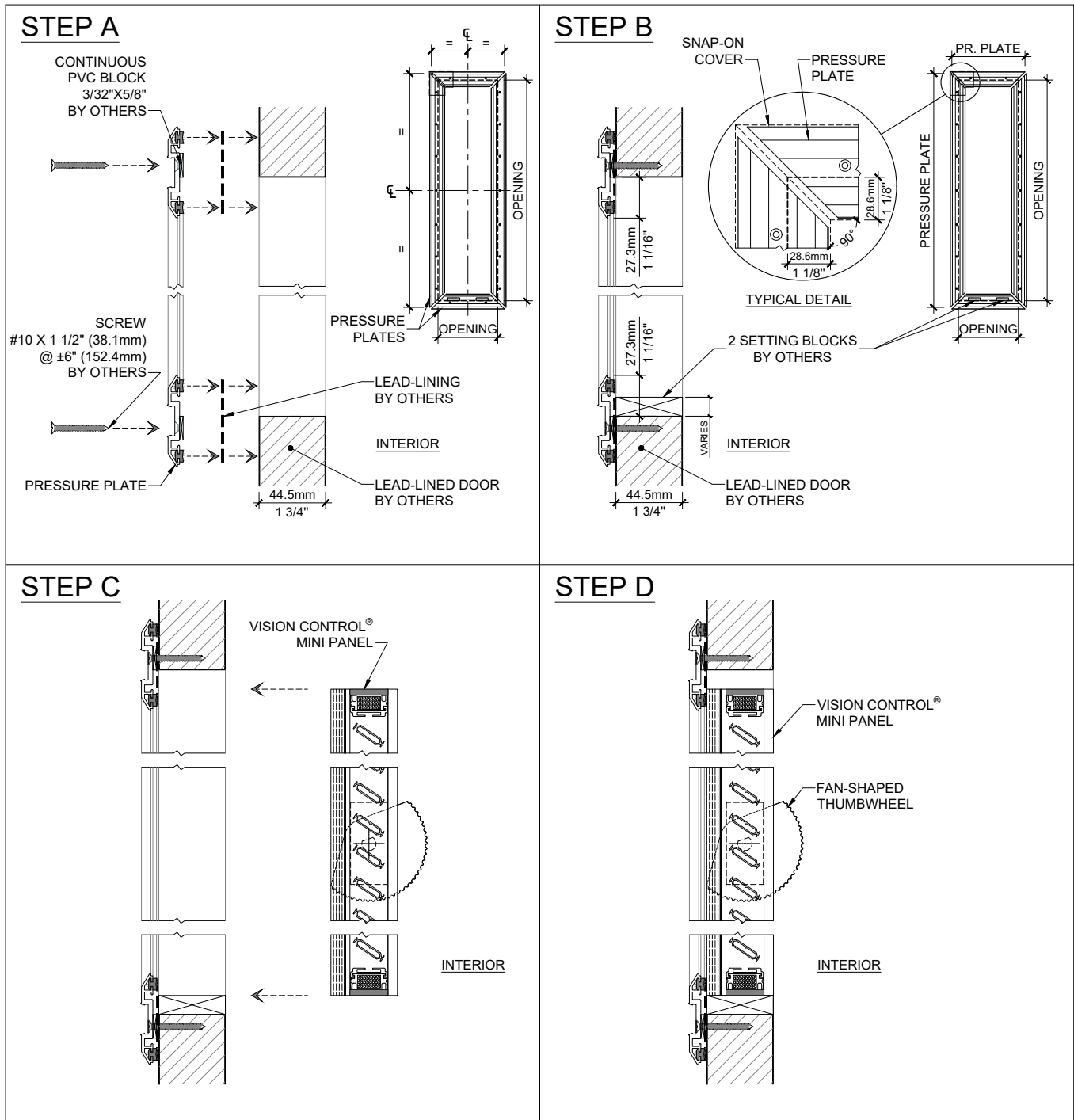


ZINC CRANK HANDLE OPERABLE ON ONE SIDE

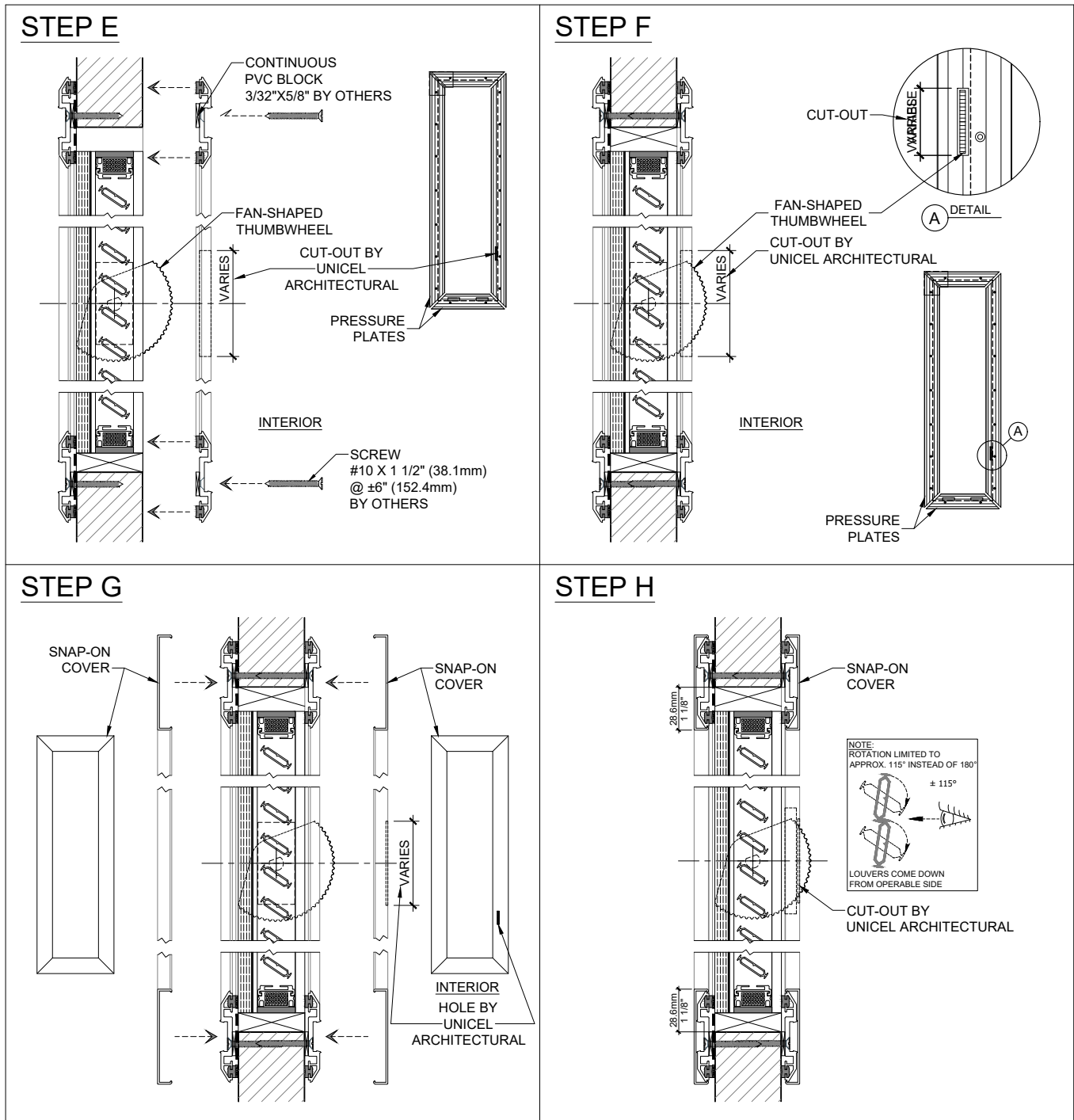


FAN-SHAPED THUMBWHEEL OPERABLE ON ONE SIDE

Install the operator according to pages 6.5.1 & 6.5.2.

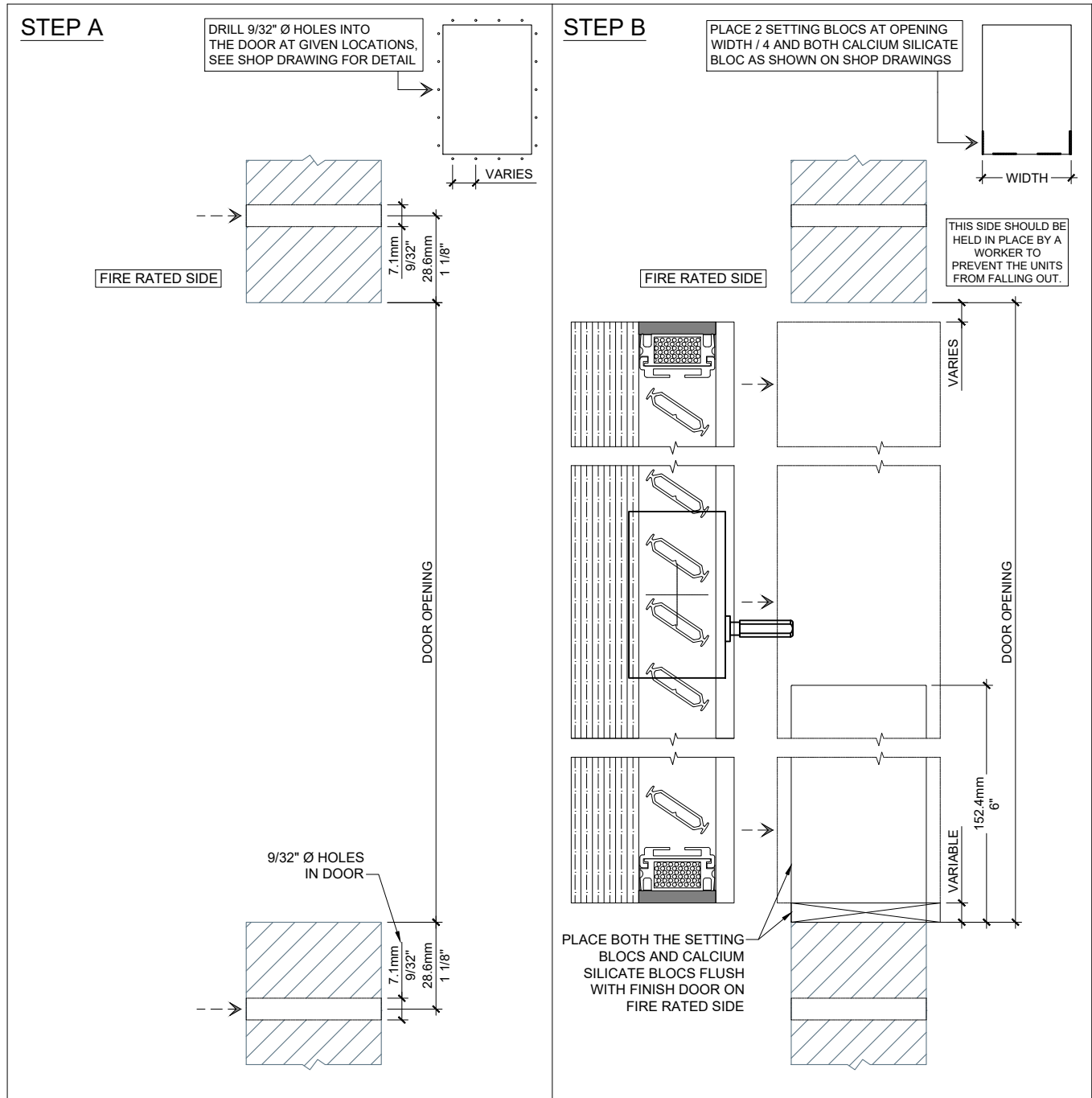


FAN-SHAPED THUMBWHEEL OPERABLE ON ONE SIDE

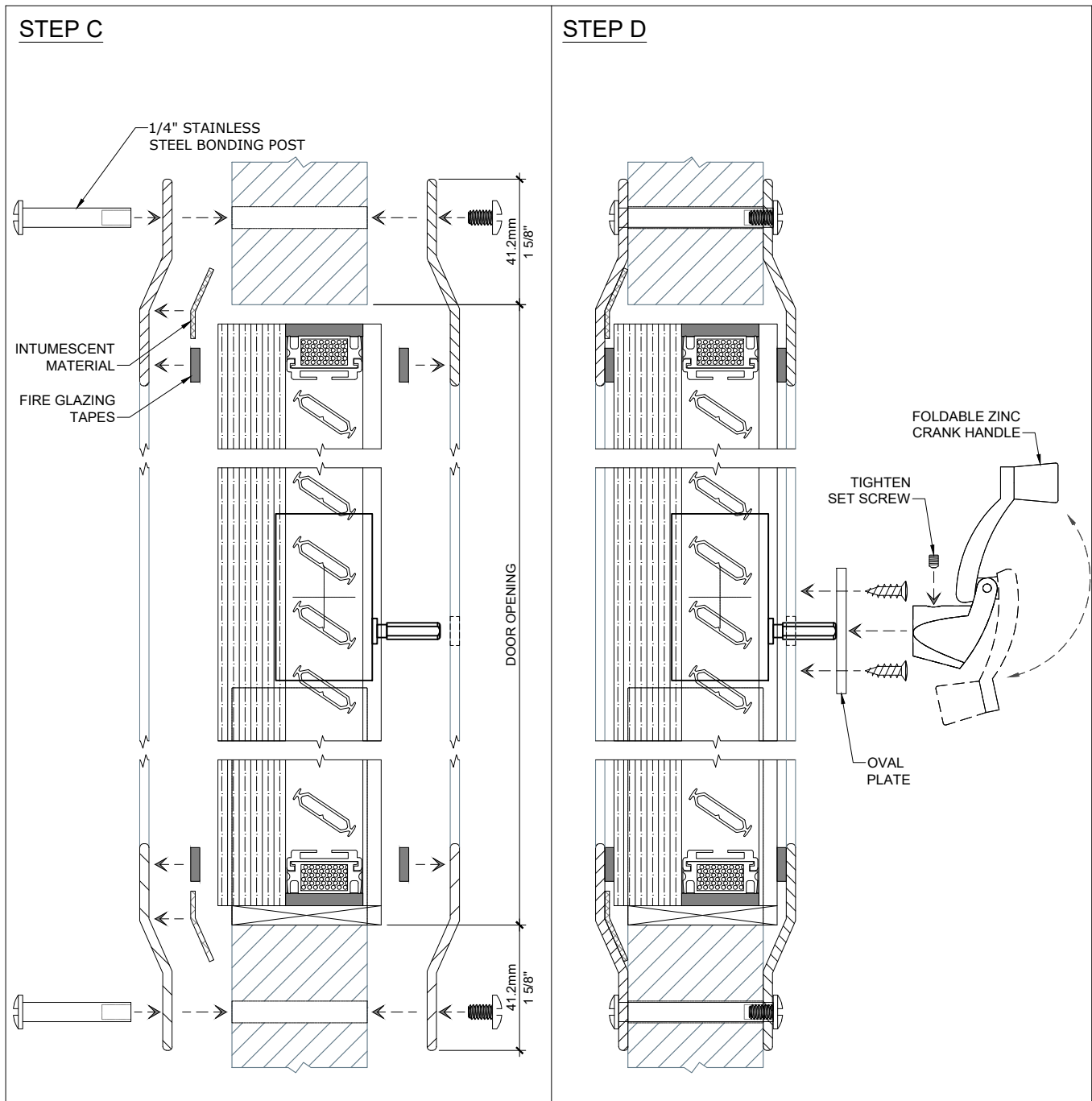


CRANK HANDLE OPERABLE ON ONE SIDE

Test the functionality of the units by temporarily installing the operator and tightening the set screw. The mechanism is self-reversing and should be tested as follows: Turn the operator in one direction (e.g. clockwise). When the louvers reach the closed position, continue turning 4-8 times in the same direction (e.g. clockwise) without fear of breaking the mechanism until the louvers eventually re-open. Complete two full louver cycles by turning the operator in the same direction (e.g. clockwise). Repeat these steps in the opposite direction (e.g. counter-clockwise) for two more full louver cycles.

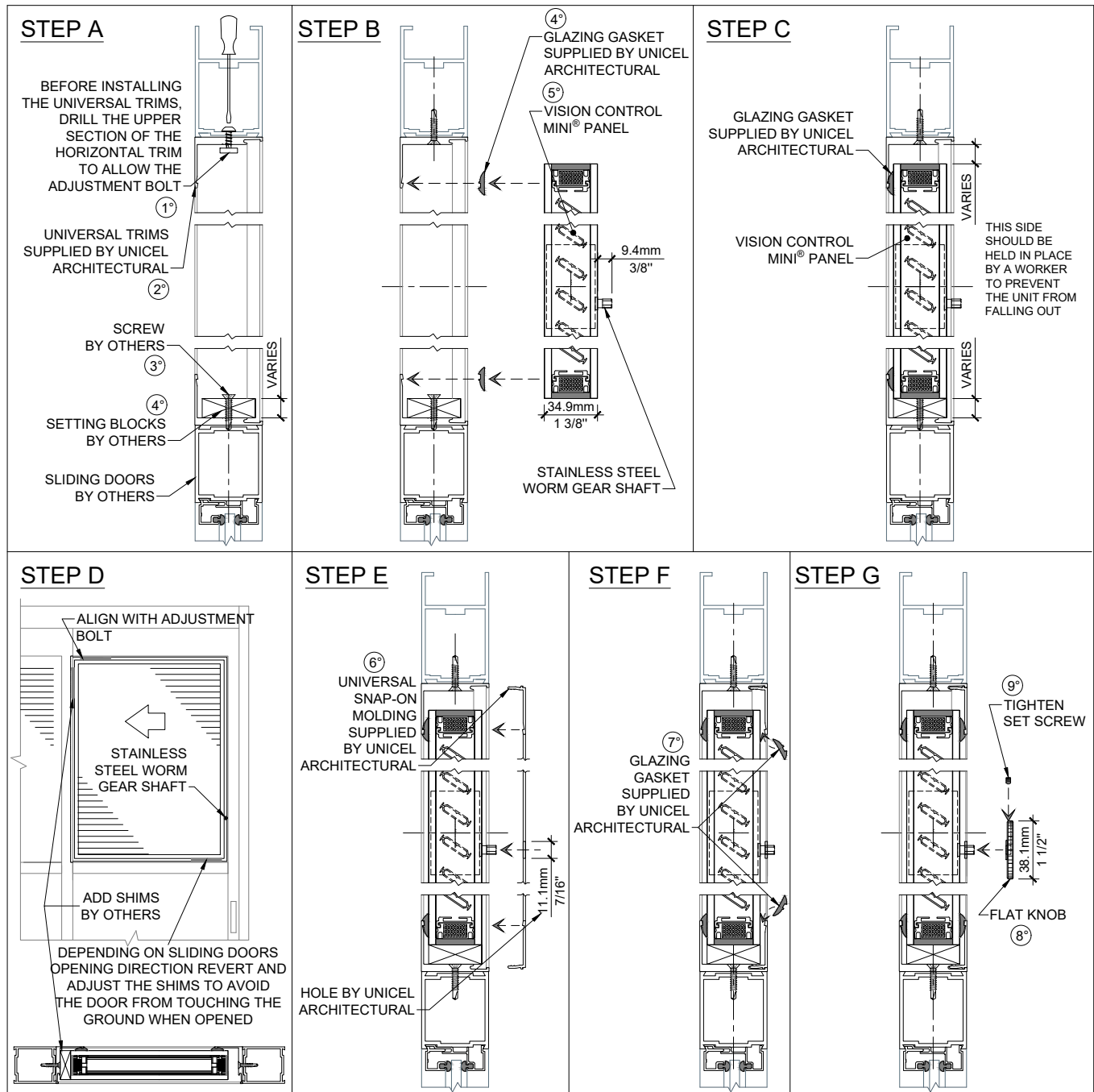


CRANK HANDLE OPERABLE ON ONE SIDE



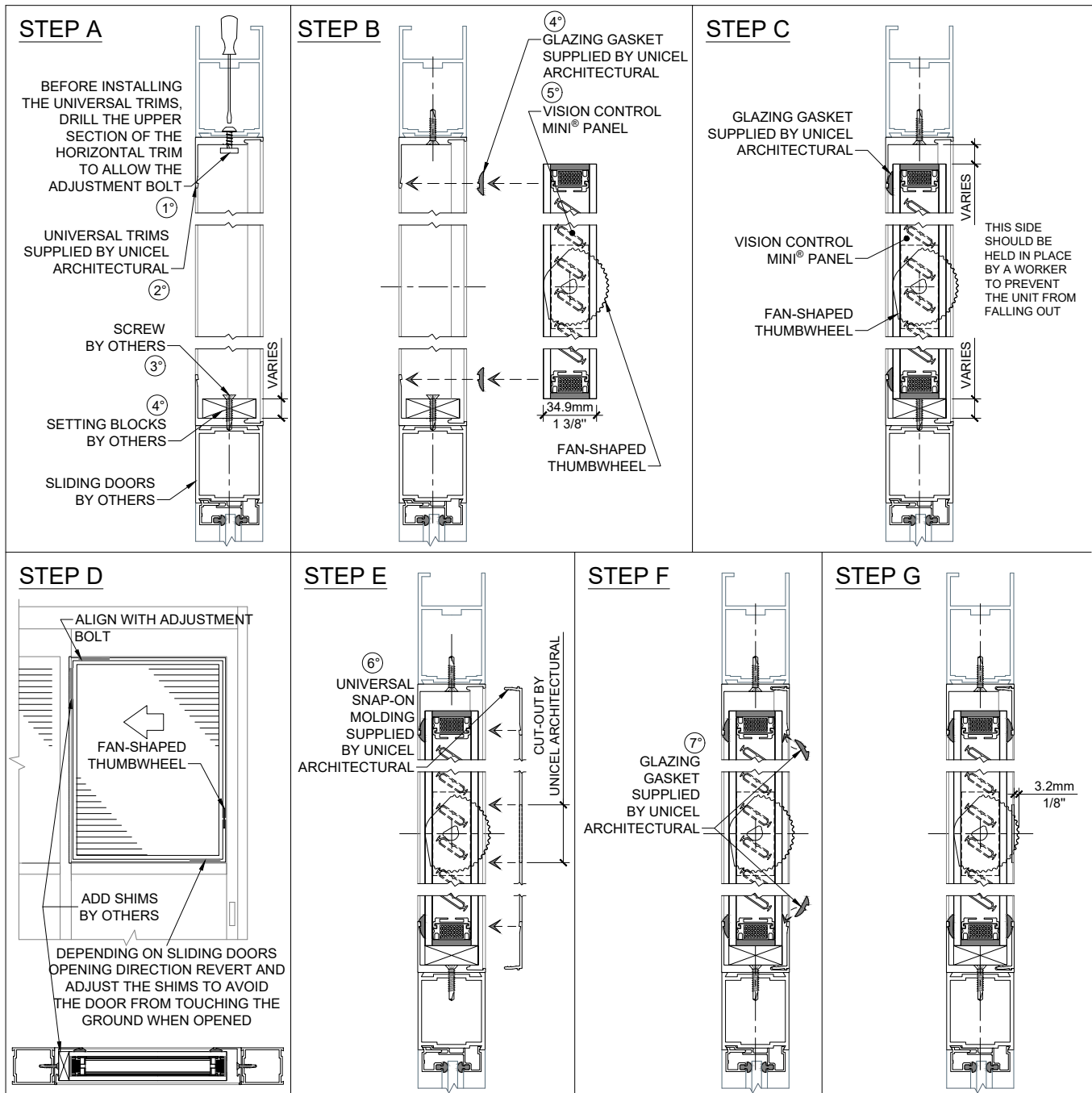
FLAT KNOB OPERABLE ON ONE SIDE

Test the functionality of the units by temporarily installing the operator and tightening the set screw. The mechanism is self-reversing and should be tested as follows: Turn the operator in one direction (e.g. clockwise). When the louvers reach the closed position, continue turning 4-8 times in the same direction (e.g. clockwise) without fear of breaking the mechanism until the louvers eventually re-open. Complete two full louver cycles by turning the operator in the same direction (e.g. clockwise). Repeat these steps in the opposite direction (e.g. counter-clockwise) for two more full louver cycles.



FAN-SHAPED THUMBWHEEL OPERABLE ON ONE SIDE

Install the operator according to pages 6.5.1 & 6.5.2.



MAINTENANCE INSTRUCTIONS

Cleaning and maintenance of glass:

- Routinely clean using ordinary window-washing techniques.
- For best results, use liquid glass cleaners or mild household detergents. Do not use cleaning compounds containing fluorine, strong acids, corrosive alkaline detergents or from glass surfaces.

Cleaning and maintenance of zinc crank handle, aluminum knobs, or plastic thumbwheel:

- If the crank handle or knob becomes loose, just tighten the allen screw with an allen key on the side of the crank handle or knob.
- Clean the crank handle with liquid glass cleaners and thumbwheel with cleaners used for polymer.

Cleaning and maintenance of aluminum blocks, oval plates, knobs, and aluminum trims:

- Mild soaps or detergents ruled safe for bare hands should be safe for coated aluminum. Stronger detergents such as some dishwasher detergents should be carefully spot tested. After cleaning, the finish should be thoroughly rinsed with clean water and dried.
- Avoid abrasive cleaners. Strong solvents or strong cleaner concentrations can cause damage to painted surfaces. Overcleaning or excessive rubbing can do more harm than good.
- Abrasive materials such as steel wool and abrasive brushes can wear and harm finishes. Do not scour painted surfaces.
- Never use paint removers, aggressive alkaline, acid or abrasive cleaners. Do not use trisodium phosphate, highly alkaline or highly acid cleaners. Always do a test surface.

During a period of twenty (20)-years from date of manufacture, depending on the type of unit construction and the use to which the unit is put, Vision Control® Mini insulating glass units installed in interior applications are warranted not to develop, under normal conditions, material obstruction of vision as a result of dust or film formation on the internal glass surface caused by failure of the hermetic seal other than through glass breakage. Additionally, this warranty covers any internal parts for malfunction, mechanical failure or premature wear under normal use. Baldor® and Pittman® motors are covered up to a one (1)-year period. Somfy® motors are covered up to a five (5)-year period. All other motorized elements are covered up to a one (1)-year period. Glass edge separation, changes in properties of interlayer, delamination of glass, glass coatings, and material obstruction through glass not caused by seal failure, are not covered beyond the warranty period offered by the original supplier of glass. This warranty does not apply to glass breakage or vandalism, and does not cover replacement and labor costs. Units installed in exterior applications and without breather tubes or capillary breather tubes are covered up to a ten (10)-year period.

This warranty is effective only if installation is made in accordance with Unicel Architectural's specific instructions and does not apply to units damaged by improper handling or installation. This represents Unicel Architectural's maximum liability. The obligations of Unicel Architectural under this warranty are limited to the repair or replacement, at Unicel Architectural's option, of defective parts of the goods, Ex-Works Unicel Architectural's plant. This warranty does not apply to replacement units beyond the original twenty (20)-year (or ten (10)-year) period to which the original unit is subjected. Unicel Architectural will not be liable for any other expenses involved in the removal of defective units, installation of replacement units, or any other incidental or consequential damages.

Unicel Architectural does not authorize any person, dealer, or distributor to create for it any obligation or liability in connection with the goods. Leakage will be the sole responsibility of the glass contractor or installer.

This warranty shall be void if the units are subjected to abnormal stresses from, but not limited to, the load application of heat, excessive vibration, building or foundation movement; if glazed with materials which do not remain resilient for the life of the warranty, or if the methods and materials used in glazing the units do not completely repel water for the life of the warranty. Unicel Architectural reserves the right to inspect, in the field, any part or unit which is allegedly defective, or to request that the unit(s) be returned to Unicel Architectural for inspection.

This warranty is valid only if contracts have been paid in full.

Unicel Architectural Corp.