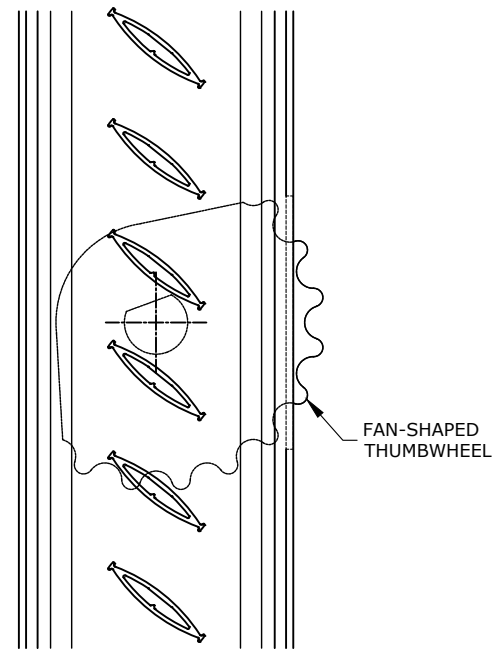
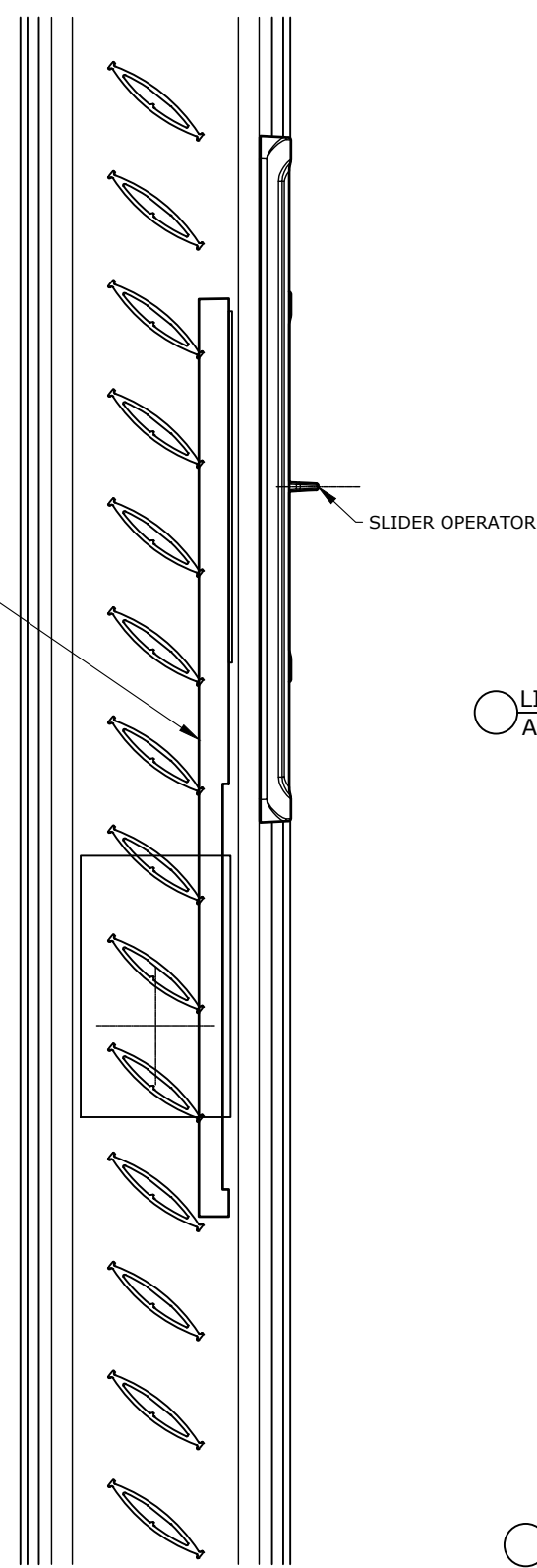


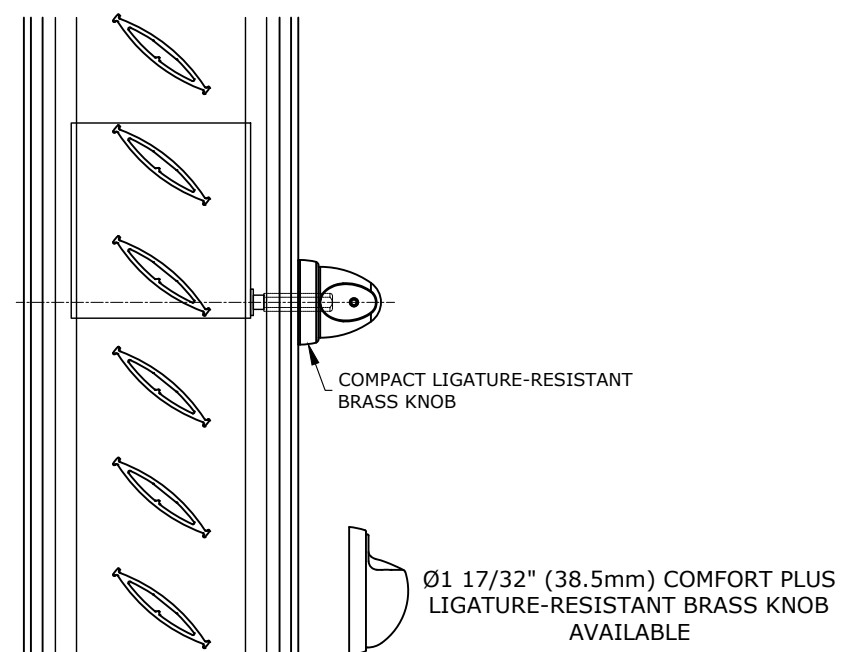
○ THUMBWHEEL  
ACCESSIBLE ON BOTH SIDES



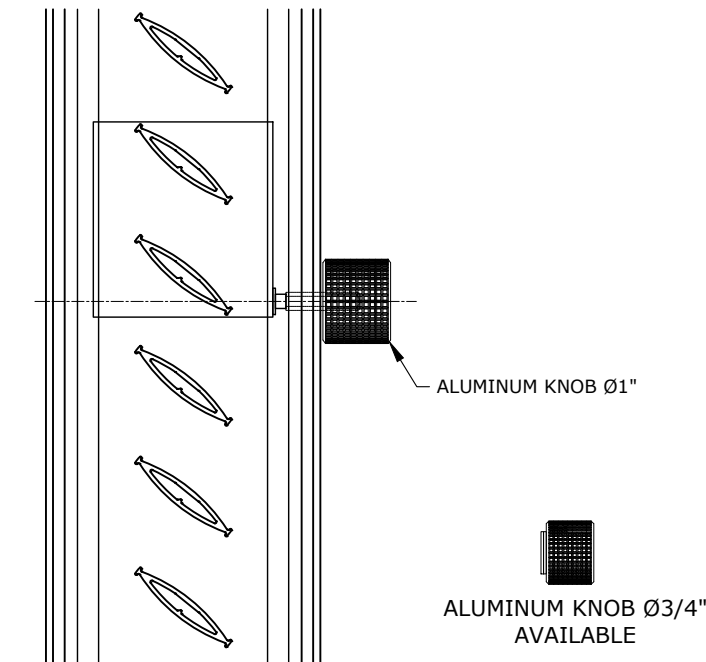
○ FAN-SHAPED THUMBWHEEL  
ACCESSIBLE ON ONE SIDE



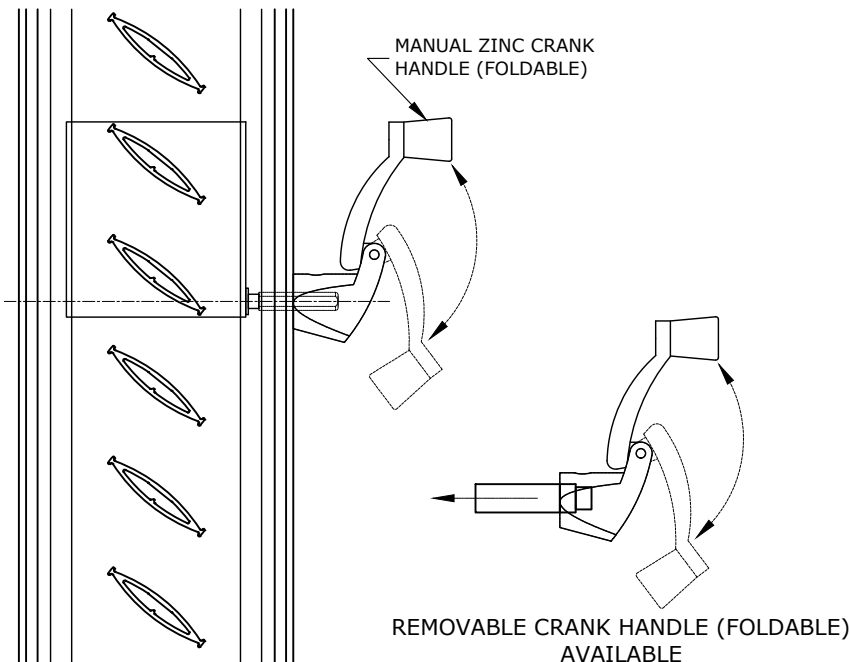
○ QUICKGLIDE™  
ACCESSIBLE ON ONE SIDE  
(RIGHT SIDE ONLY)



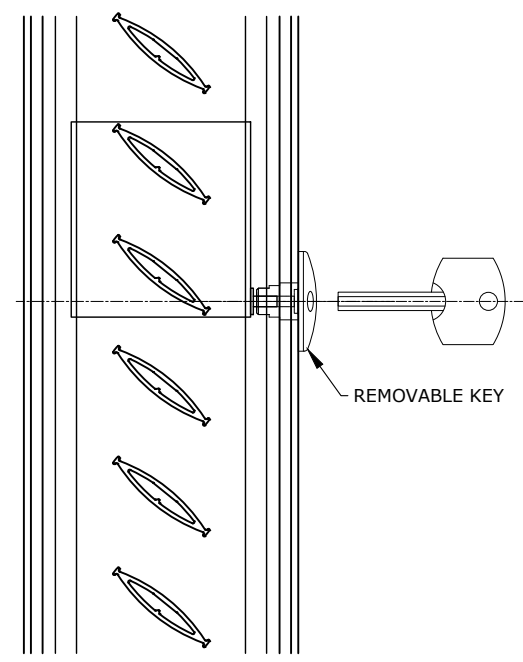
○ LIGATURE-RESISTANT BRASS KNOB  
ACCESSIBLE ON 1 OR 2 SIDES



○ ALUMINUM KNOB  
ACCESSIBLE ON 1 OR 2 SIDES



○ ZINC CRANK HANDLE  
ACCESSIBLE ON 1 OR 2 SIDES



○ REMOVABLE KEY  
ACCESSIBLE ON 1 OR 2 SIDES

3	REVISION	2023-09-13	V. DROLET
2	REVISION	2023-07-06	V. DROLET
1	REVISION	2023-06-27	V. DROLET