

TABLE OF CONTENTS

1. AVAILABLE COVER PROFILE

1.1. THERM+ 76mm

2. DETAIL OF TYPICAL SYSTEMS

2.1. THERM+76/80mm

- 2.1.1. Cover profile - Double glazing
- 2.1.2. Cover profile - Triple glazing
- 2.1.3. Wood cover profile - Double glazing
- 2.1.4. Wood cover profile - Triple glazing
- 2.1.5. Detail of perimeter system
- 2.1.6. SG2 system
 - 2.1.6.1. Without suction disc
 - 2.1.6.2. With suction disc - Round - Double glazing
 - 2.1.6.3. With suction disc - Round - Triple glazing
 - 2.1.6.4. With suction disc - Double glazing
 - 2.1.6.5. With suction disc - Triple glazing
- 2.1.7. Typical Spandrel panel
- 2.1.8. Galvanized steel back pan curtain wall

3. STRUCTURAL SYSTEM

3.1. THERM+76

4. TYPICAL CORNER DETAILS

4.1. THERM+76/80mm

- 4.1.1. SPANDREL PANEL CORNER
 - 4.1.1.1. Wood column corner
 - 4.1.1.2. Insulated column corner
 - 4.1.1.3. 45° mullion corner
- 4.1.2. SG2 corner (Structural glazing system)
 - 4.1.2.1. Corner with steel column
 - 4.1.2.2. Corner with wood column

5. TYPICAL DOOR DETAIL

5.1. Aluminum door - Alumico

- 5.1.1. Section detail - Double glazing
- 5.1.2. Section detail - Triple glazing
- 5.1.3. Plan detail - Double glazing

5.2. Wood door - Lemberc

- 5.2.1. Section detail - Triple glazing
- 5.2.2. Plan detail - Triple glazing
- 5.2.3. Single wood lift and slide door (Standard) - UNICEL ARCHITECTURAL CORP.
- 5.2.4. Section detail - Double glazing
- 5.2.5. Plan detail - Double glazing
- 5.2.6. Section detail - Triple glazing
- 5.2.7. Plan detail - Triple glazing



540, Lucien-Thibodeau
Portneuf, Qc. G0A 2Y0
Tel. 1.450.670.6844
Fax. 1.450.670.7144
unicel@unicelarchitectural.com
www.unicelarchitectural.com

TABLE OF CONTENTS

Title :

-

DRAWING BY :

M. LAVOIE

UPDATE :

Nom : J.PAUL-HUS Date : 2021-06-11

Page :

1

TABLE OF CONTENTS

5.4. Double wood lift and slide door (Standard) - UNICEL ARCHITECTURAL CORP.

5.4.1. Section detail - Double glazing

5.4.2. Plan detail - Double glazing

5.4.3. Section detail - Triple glazing

5.4.4. Plan detail - Triple glazing

5.5. Single wood lift and slide door (Oversize) - UNICEL ARCHITECTURAL CORP.

5.5.1. Section detail - Double glazing

5.5.2. Plan detail - Double glazing

5.5.3. Section detail - Triple glazing

5.5.4. Plan detail - Triple glazing

5.6. Double wood lift and slide door (Oversize) - UNICEL ARCHITECTURAL CORP.

5.6.1. Section detail - Double glazing

5.6.2. Plan detail - Double glazing

5.6.3. Section detail - Triple glazing

5.6.4. Plan detail - Triple glazing

6. TYPICAL WINDOW DETAIL

6.1. Aluminum window - Alumico

6.1.1. Section detail - Double glazing

6.1.2. Section detail - Triple glazing

6.1.3. Plan detail - Double glazing

6.2. Aluminum window - Alumicor

6.2.1. Section detail - Double glazing

6.2.2. Section detail - Triple glazing

6.2.3. Plan detail - Double glazing

6.3. Wood window - LEMBERC

6.3.1. Section detail - Triple glazing

6.3.2. Plan detail - Triple glazing

7. APPLICATIONS

7.1. Various

7.1.1. Plan detail - Junction with masonry

7.1.2. Plan detail - Junction with siding

7.1.3. Plan detail - Junction with concrete wall

7.1.4. Section detail - Exterior connector with insertion in concrete

7.1.5. Section detail - Exterior connector without insertion in concrete

7.1.6. Section detail - Double connector

7.1.7. Section detail - Interior connector

7.1.8. Section detail - Exterior connector with wood beam

7.1.9. Section detail - Exterior connector with steel beam

7.2. Glass roof

7.2.1. Roof ridge connection

7.2.2. Intermediate roof connection

7.2.3. Eave section detail

7.2.4. Typical column & mullion

8. TRANSOM INSERTION

8.1. Insertion method



540, Lucien-Thibodeau
Portneuf, Qc, G0A 2Y0
Tel. 1.450.670.6844
Fax. 1.450.670.7144
unicel@unicelarchitectural.com
www.unicelarchitectural.com

TABLE OF CONTENTS

Title :

-

DRAWING BY :

M. LAVOIE

Page :

UPDATE :

Nom : J.PAUL-HUS Date : 2021-06-11

II

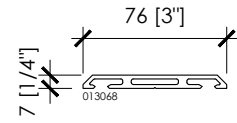
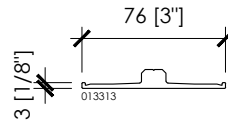
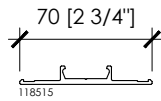
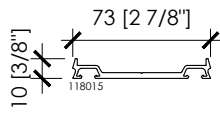
THERM+ H-I 76

PRESSURE PLATE

ALUMINUM COVER PROFILE

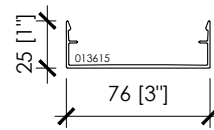
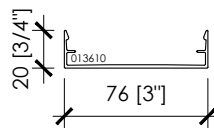
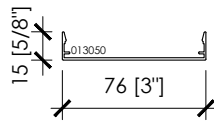
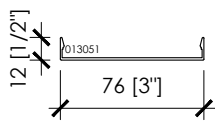
WOOD COVER PROFIL

USE FOR GLASS ROOF



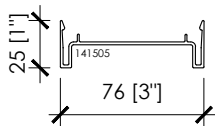
OPTIONALS COVER PROFILES

ALUMINUM COVER PROFILES



SPECIAL ALUMINUM COVER PROFILES

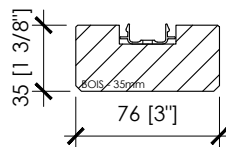
SG2



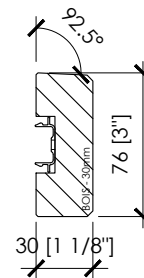
POSSIBILITY FOR
COVER PROFILE ON
DEMAND

STRUCTURAL
GLAZING CURTAIN
WALL

WOOD COVER PROFILE



MULLION'S COVER
PROFILE (VERTICAL
SYSTEM)



TRANSOM'S COVER PROFIL
(HORIZONTAL SYSTEM)



540, Lucien-Thibodeau
Portneuf, Qc. G0A 2Y0
Tel. 1.450.670.6844
Fax. 1.450.670.7144
unicel@unicelarchitectural.com
www.unicelarchitectural.com

DETAILS

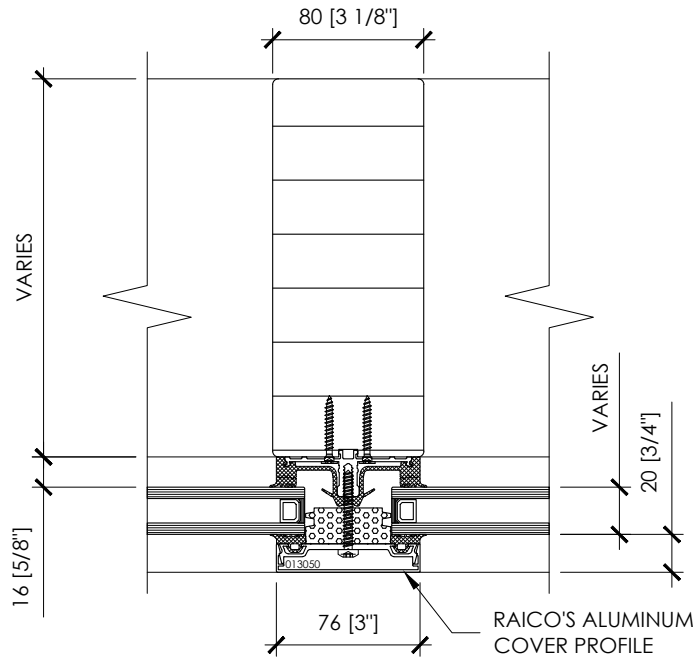
Title :
THERM+ H-I - 76/80mm
COVER PROFILES

DRAWING BY :
M. LAVOIE

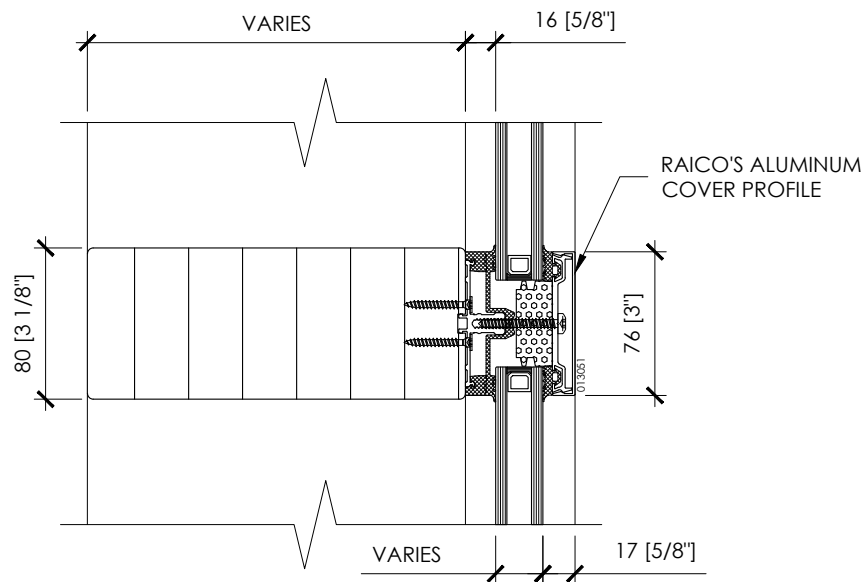
UPDATE :
Nom : J.PAUL-HUS Date : 2021-06-11

Page :

1.1



VERTICAL SYSTEM (MULLION)



HORIZONTAL SYSTEM (TRANSOM)

ADVICE

- UNICEL ARCHITECTURAL CORP. RECOMMEND 15mm COVER PROFILE ON VERTICAL MULLIONS AND 12mm COVER PROFILES ON HORIZONTAL TRANSOMS FOR A BETTER FINISH;

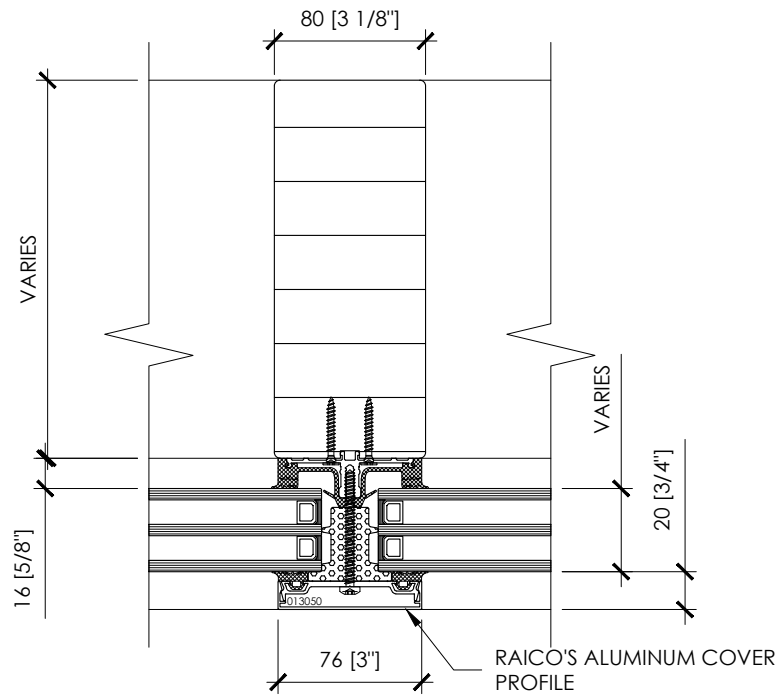
UNICEL ARCHITECTURAL | Defining the Space Within™
 540, Lucien-Thibodeau
 Portneuf, Qc, G0A 2Y0
 Tel. 1.450.670.6844
 Fax. 1.450.670.7144
 unichel@unicelarchitectural.com
 www.unicelarchitectural.com

DETAILS

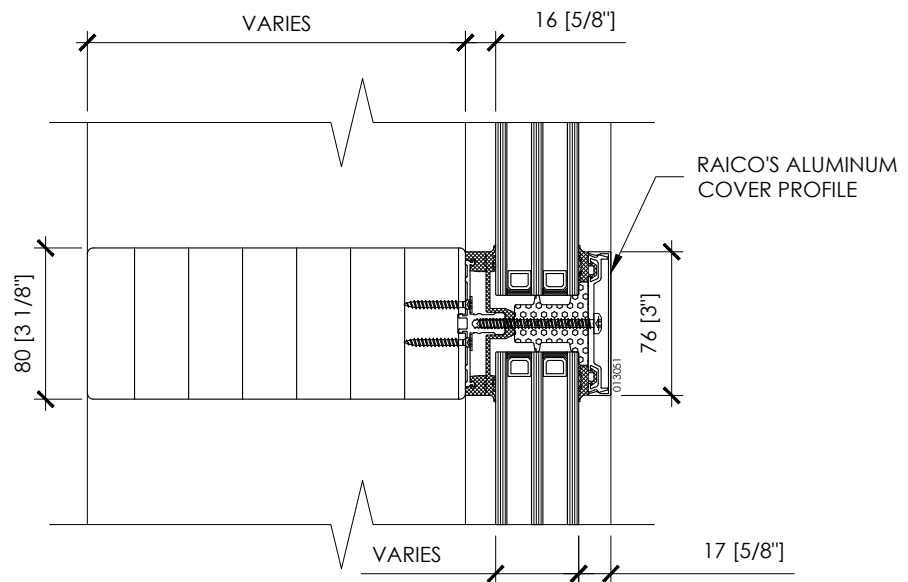
Title : **THERM+ H-I 76/80mm**
 COVER PROFILE & DOUBLE GLAZING

DRAWING BY : **M. LAVOIE**
 UPDATE :
 Nom : J.PAUL-HUS Date : 2021-06-11

Page :
2.1.1



VERTICAL SYSTEM (MULLION)



HORIZONTAL SYSTEM (TRANSOM)

ADVICE

- UNICEL ARCHITECTURAL CORP. RECOMMEND 15mm COVER PROFILE ON VERTICAL MULLIONS AND 12mm COVER PROFILES ON HORIZONTAL TRANSOMS FOR A BETTER FINISH;



540, Lucien-Thibodeau
 Portneuf, Qc, G0A 2Y0
 Tel. 1.450.670.6844
 Fax. 1.450.670.7144
 unichel@unicelarchitectural.com
 www.unicelarchitectural.com

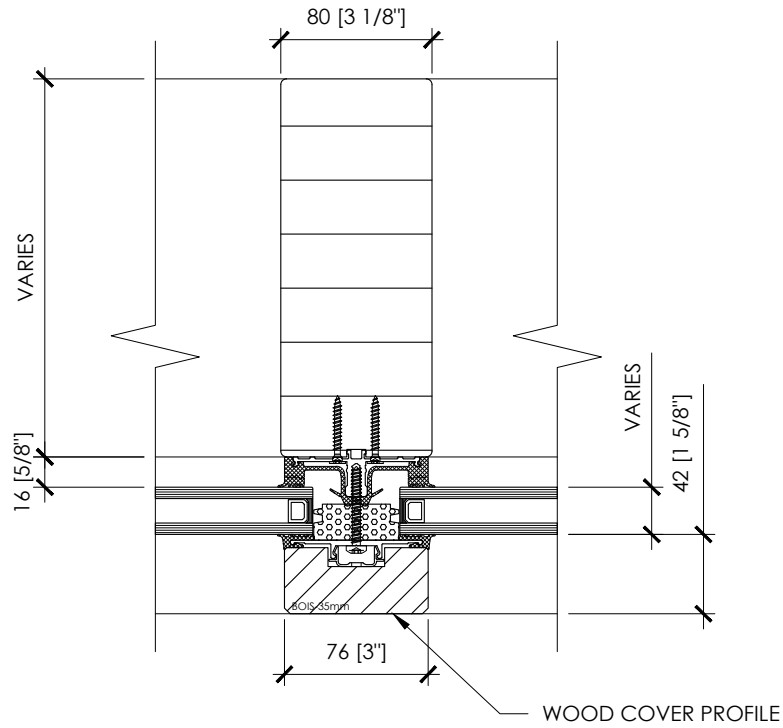
DETAILS

Title :
THERM+ H-I 76/80mm
 COVER PROFILE & TRIPLE GLAZING

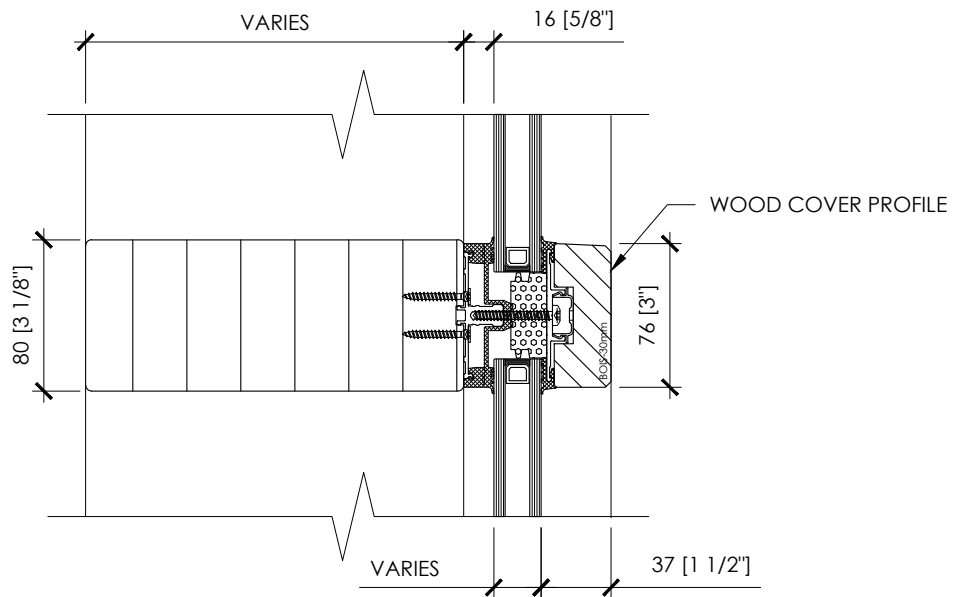
DRAWING BY :
M. LAVOIE

UPDATE :
 Nom : J.PAUL-HUS Date : 2021-06-11

Page :
2.1.2



VERTICAL SYSTEM (MULLION)



HORIZONTAL SYSTEM (TRANSOM)



540, Lucien-Thibodeau
 Portneuf, Qc, G0A 2Y0
 Tel. 1.450.670.6844
 Fax. 1.450.670.7144
 unichel@unicelarchitectural.com
 www.unicelarchitectural.com

DETAILS

Title :

THERM+ H-I 76/80mm
 WOOD COVER PROFILE & DOUBLE GLAZING

DRAWING BY :

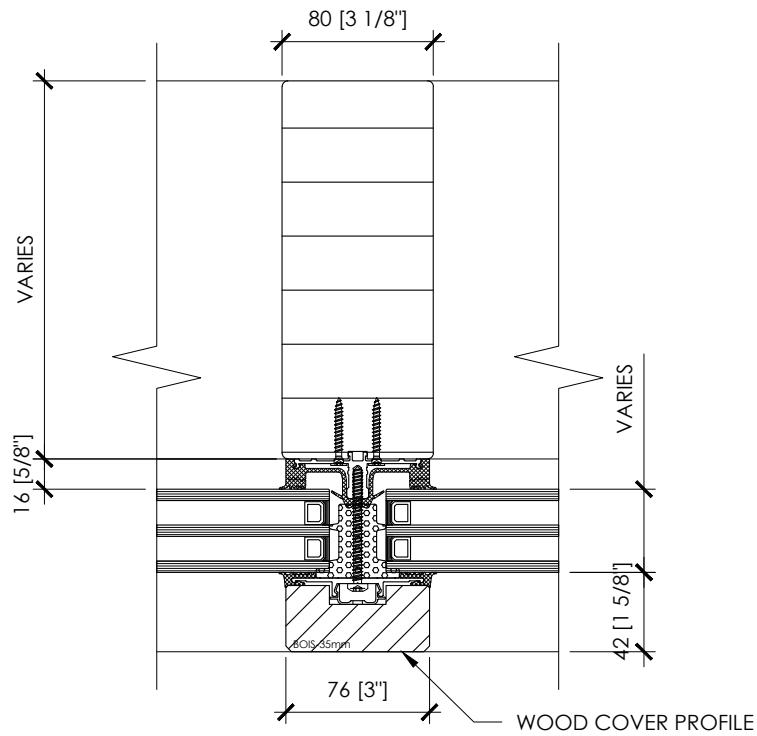
M. LAVOIE

UPDATE :

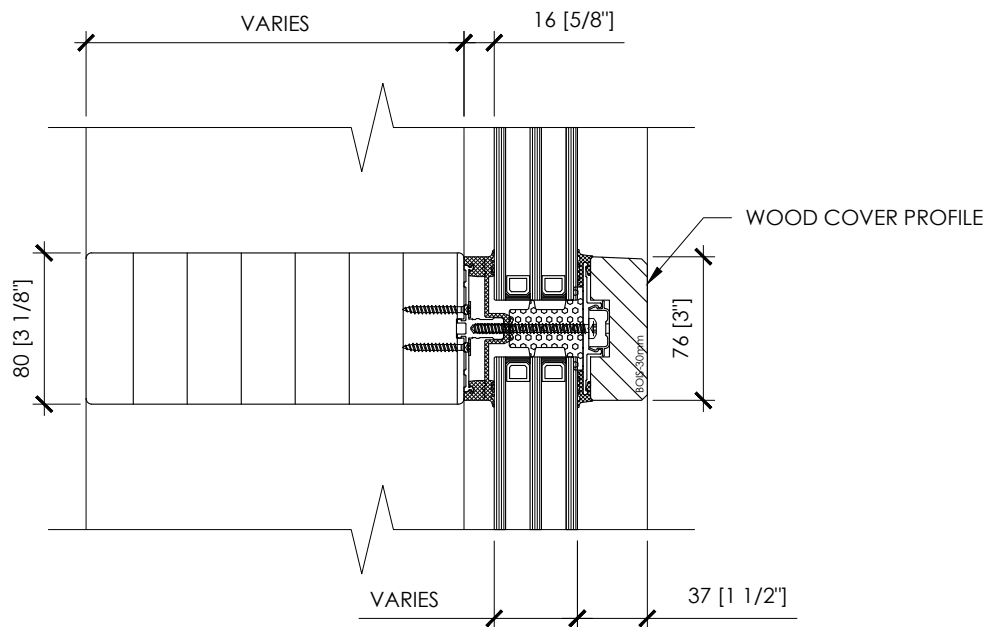
Nom : J.PAUL-HUS Date : 2021-06-11

Page :

2.1.3



VERTICAL SYSTEM (MULLION)



HORIZONTAL SYSTEM (TRANSOM)



540, Lucien-Thibodeau
 Portneuf, Qc, G0A 2Y0
 Tel. 1.450.670.6844
 Fax. 1.450.670.7144
 unichel@unicelarchitectural.com
 www.unicelarchitectural.com

DETAILS

Title :

THERM+ H-I 76/80mm
 WOOD COVER PROFILE & TRIPLE GLAZING

DRAWING BY :

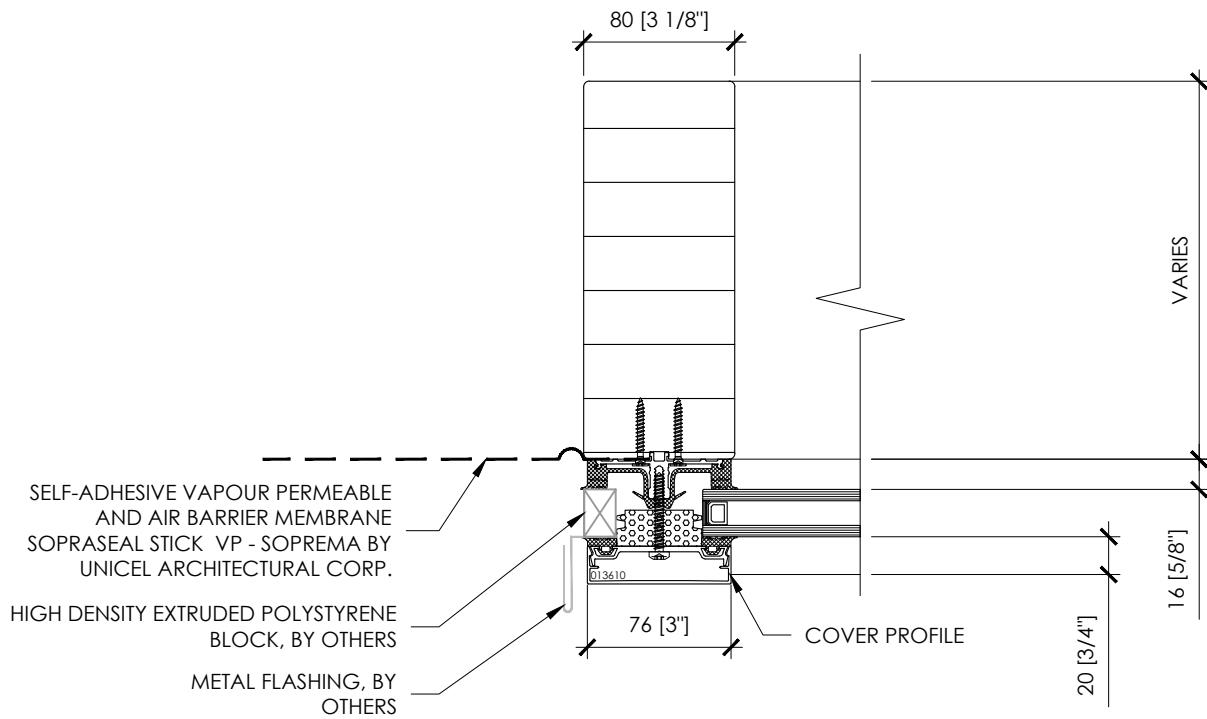
M. LAVOIE

UPDATE :

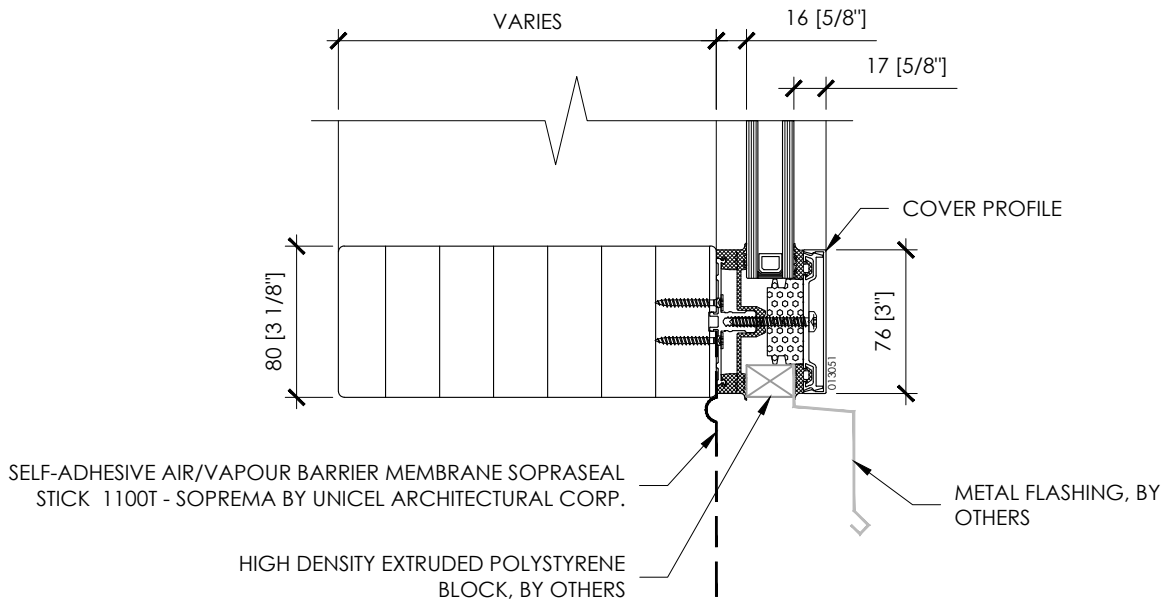
Nom : J.PAUL-HUS Date : 2021-06-11

Page :

2.1.4



VERTICAL SYSTEM (MULLION)



HORIZONTAL SYSTEM (TRANSOM)

ADVICE

- UNICEL ARCHITECTURAL CORP. RECOMMEND 15mm COVER PROFILE ON VERTICAL MULLIONS AND 12mm COVER PROFILES ON HORIZONTAL TRANSOMS FOR A BETTER FINISH;

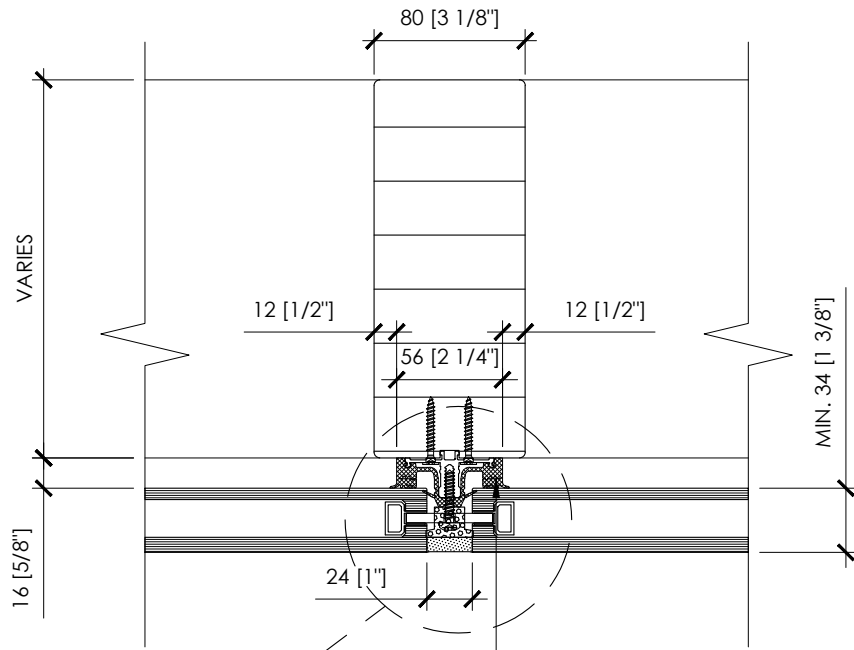
UNICEL ARCHITECTURAL | Defining the Space Within™
 540, Lucien-Thibodeau
 Portneuf, Qc, G0A 2Y0
 Tel. 1.450.670.6844
 Fax. 1.450.670.7144
 unichel@unicelarchitectural.com
 www.unicelarchitectural.com

DETAILS

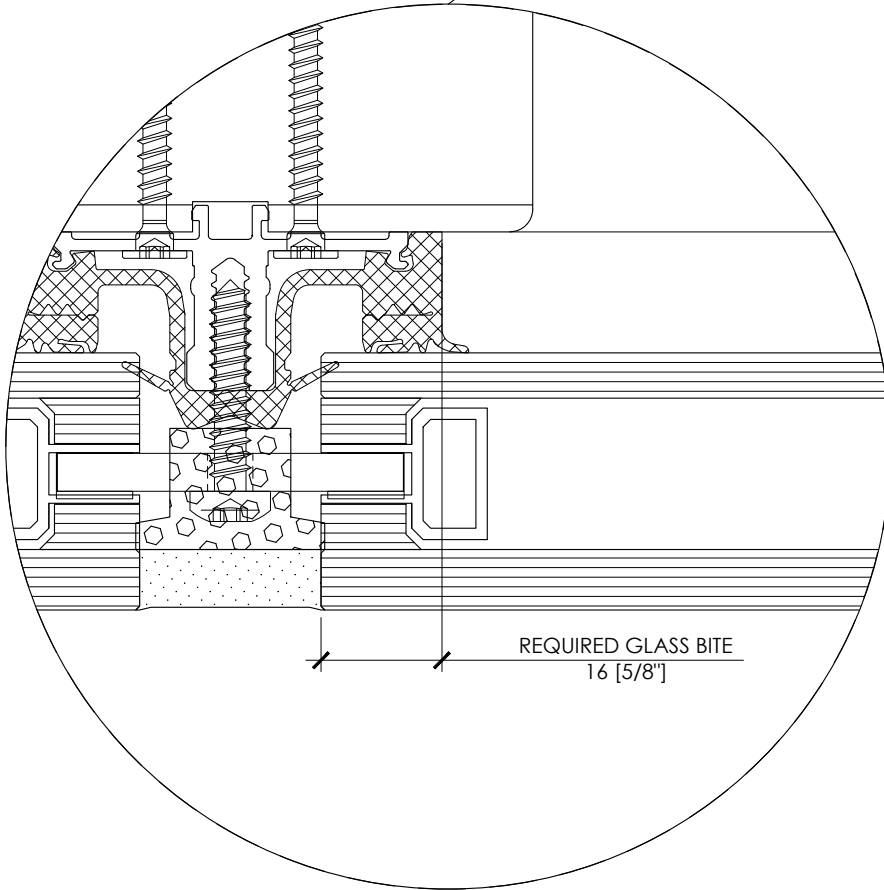
Title : **THERM+ H-I 76/80mm**
 DETAIL OF PERIMETER SYSTEM

DRAWING BY : **M. LAVOIE**
 UPDATE :
 Nom : J.PAUL-HUS Date : 2021-06-11

Page : **2.1.5**



MANDATORY USE OF GASKET 56
TO RESPECT 16mm REQUIRED GLASS BITE



540, Lucien-Thibodeau
Portneuf, Qc. G0A 2Y0
Tel. 1.450.670.6844
Fax. 1.450.670.7144
unicel@unicelarchitectural.com
www.unicelarchitectural.com

DETAILS

Title :

THERM+ H-I - SG2 SYSTEM
WITHOUT SUCTION DISC

DRAWING BY :

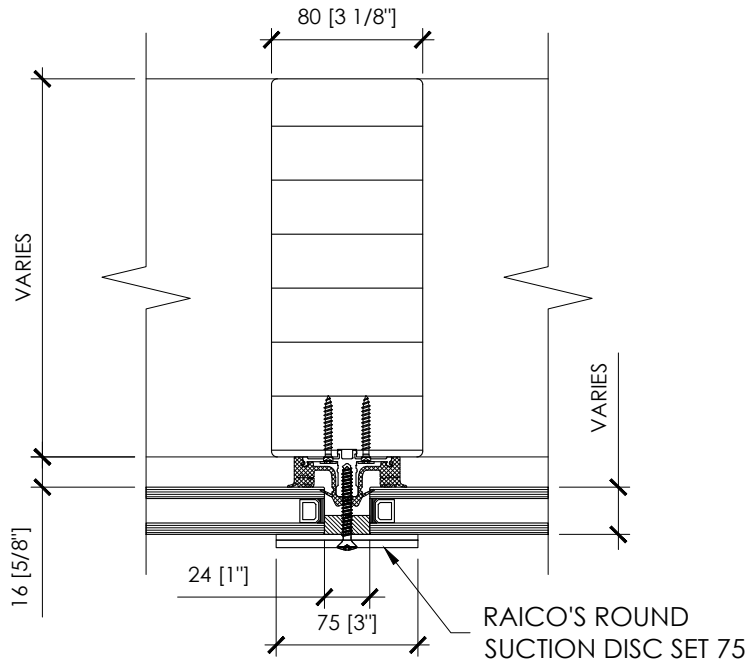
M. LAVOIE

UPDATE :

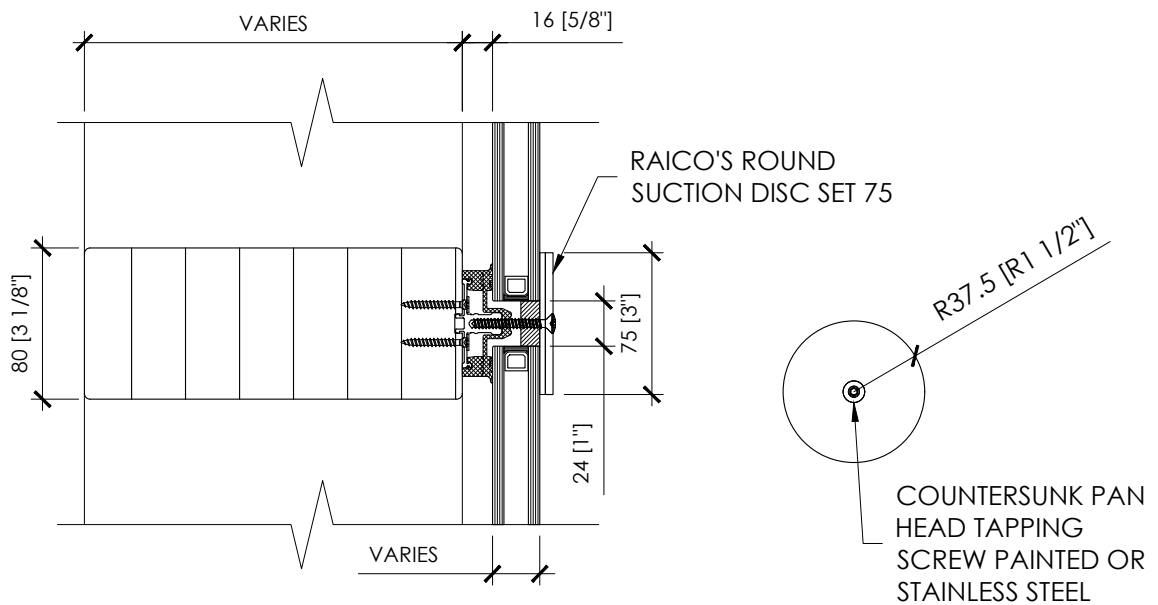
Nom : J.PAUL-HUS Date : 2021-06-11

Page :

2.1.6.1



VERTICAL SYSTEM (MULLION)



HORIZONTAL SYSTEM (TRANSOM)

RECOMMENDATION

- UNICEL ARCHITECTURAL CORP. RECOMMEND A MAXIMUM SPACE OF 500mm CENTER TO CENTER BETWEEN SUCTION DISCS TO BE VALIDATED BY AN ENGINEER.



540, Lucien-Thibodeau
 Portneuf, Qc. G0A 2Y0
 Tel. 1.450.670.6844
 Fax. 1.450.670.7144
 unichel@unicelarchitectural.com
 www.unicelarchitectural.com

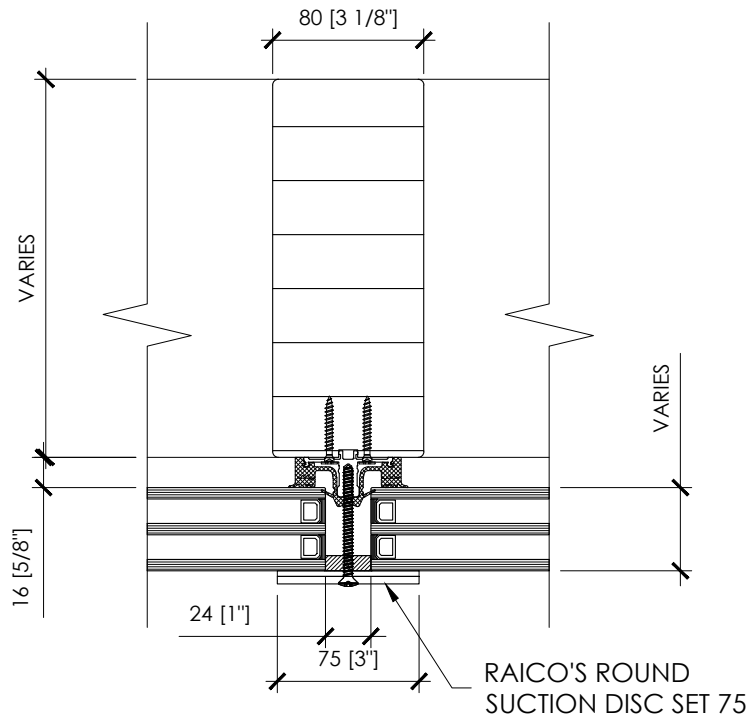
DETAILS

Title :
THERM+ H-I - SG2 SYSTEM
 WITH SUCTION DISC - ROUND - DOUBLE GLAZING

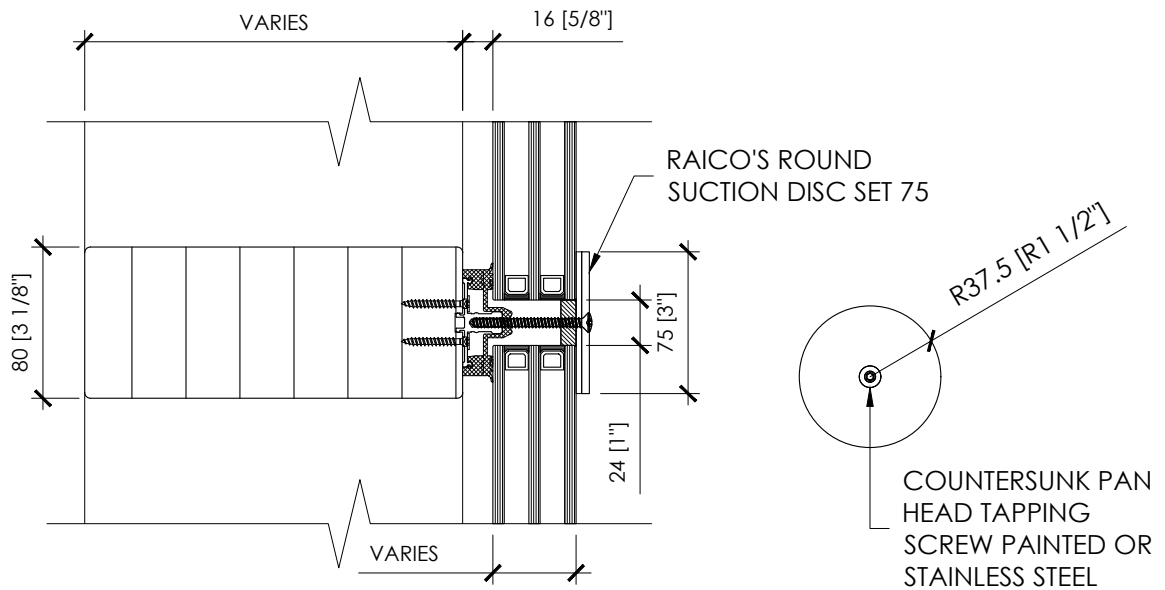
DRAWING BY :
M. LAVOIE

UPDATE :
 Nom : J.PAUL-HUS Date : 2021-06-11

Page :
2.1.6.2



VERTICAL SYSTEM (MULLION)



HORIZONTAL SYSTEM (TRANSOM)

RECOMMENDATION

- UNICEL ARCHITECTURAL CORP. RECOMMEND A MAXIMUM SPACE OF 500mm CENTER TO CENTER BETWEEN SUCTION DISCS TO BE VALIDATED BY AN ENGINEER.



540, Lucien-Thibodeau
 Portneuf, Qc. G0A 2Y0
 Tel. 1.450.670.6844
 Fax. 1.450.670.7144
 unichel@unicelarchitectural.com
 www.unicelarchitectural.com

DETAILS

Title :

THERM+ H-I - SG2 SYSTEM
 WITH SUCTION DISC - ROUND - TRIPLE GLAZING

DRAWING BY :

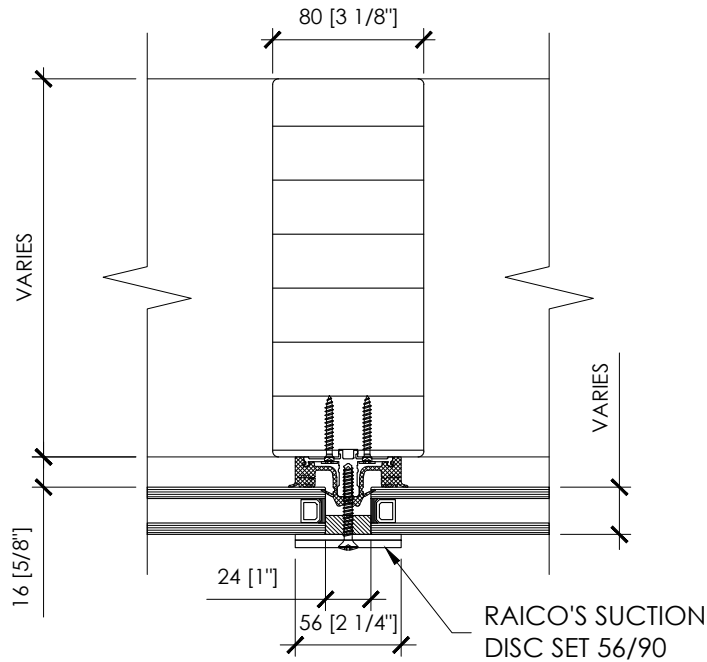
M. LAVOIE

UPDATE :

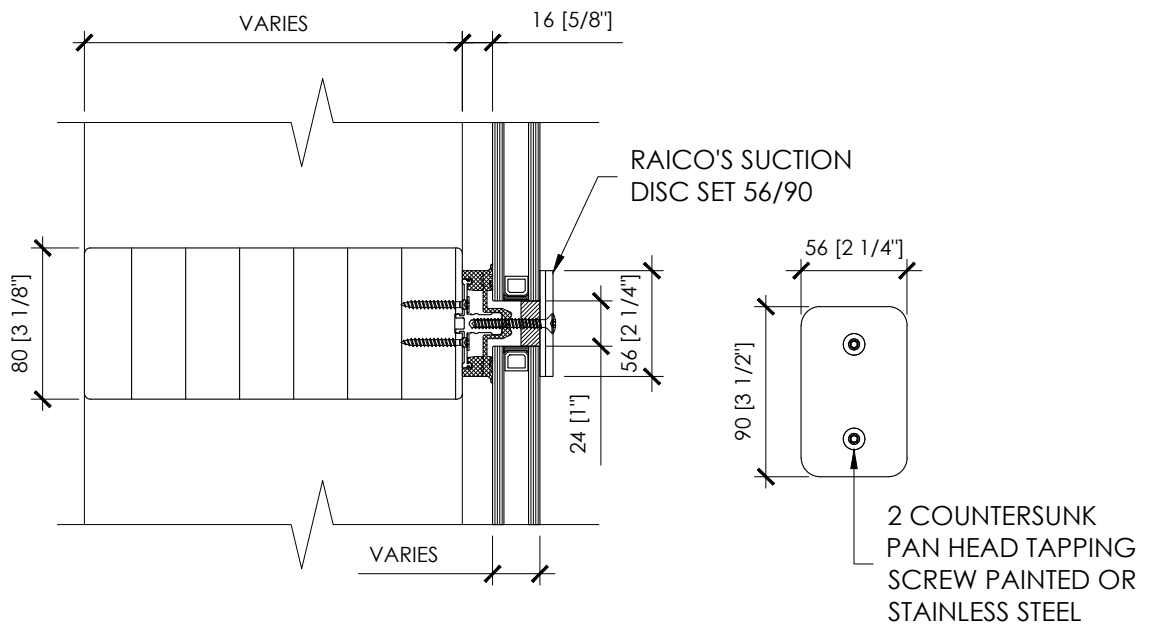
Nom : J.PAUL-HUS Date : 2021-06-11

Page :

2.1.6.3



VERTICAL SYSTEM (MULLION)



HORIZONTAL SYSTEM (TRANSOM)

RECOMMENDATION

- UNICEL ARCHITECTURAL CORP. RECOMMEND A MAXIMUM SPACE OF 500mm CENTER TO CENTER BETWEEN SUCTION DISCS TO BE VALIDATED BY AN ENGINEER.



540, Lucien-Thibodeau
 Portneuf, Qc. G0A 2Y0
 Tel. 1.450.670.6844
 Fax. 1.450.670.7144
 unichel@unicelarchitectural.com
 www.unicelarchitectural.com

DETAILS

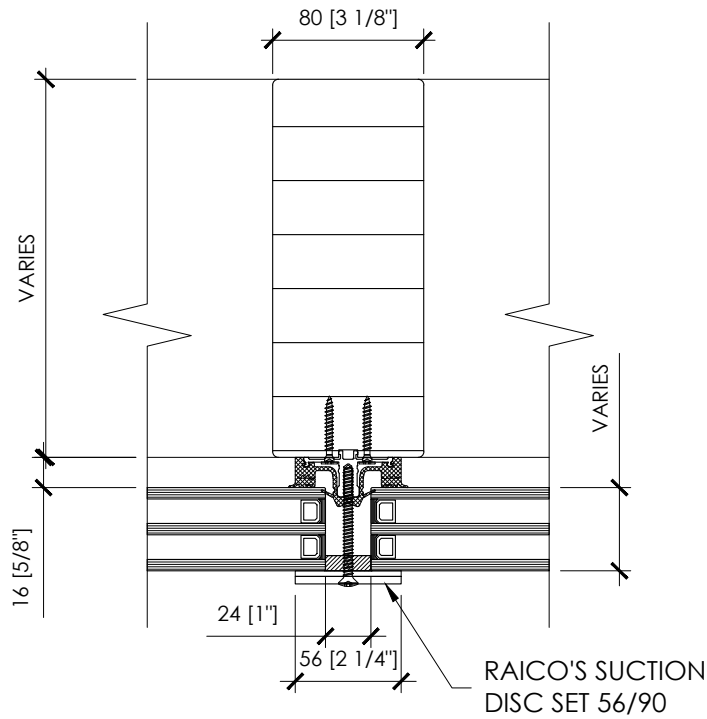
Title :
THERM+ H-I - SG2 SYSTEM
 WITH SUCTION DISC - DOUBLE GLAZING

DRAWING BY :
M. LAVOIE

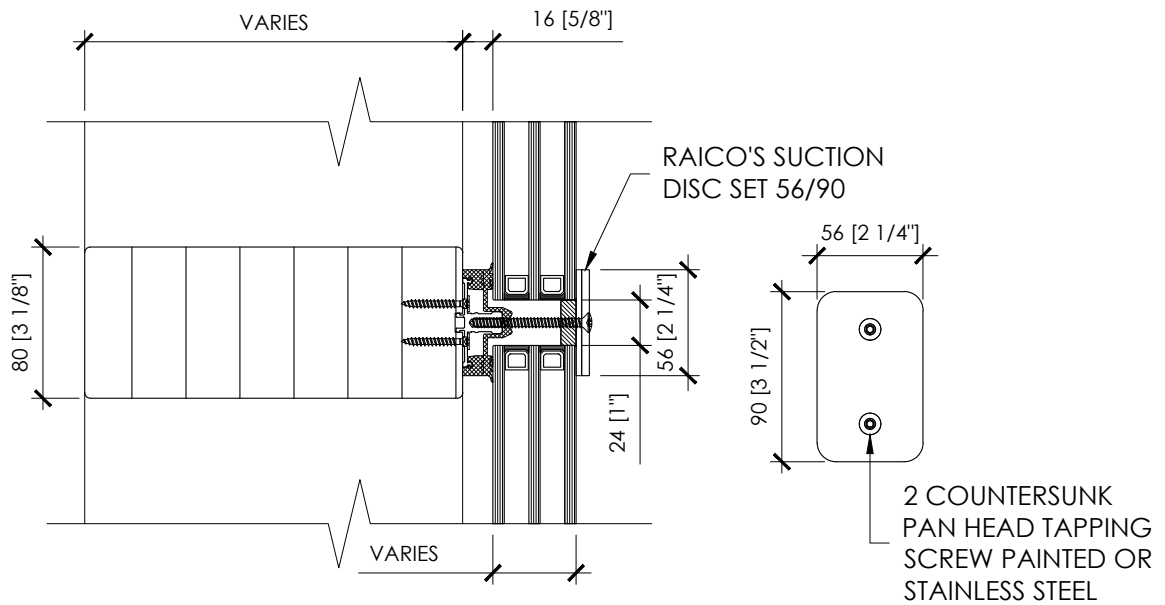
UPDATE :
 Nom : J.PAUL-HUS Date : 2021-06-11

Page :

2.1.6.4



VERTICAL SYSTEM (MULLION)



HORIZONTAL SYSTEM (TRANSOM)

RECOMMENDATION

- UNICEL ARCHITECTURAL CORP. RECOMMEND A MAXIMUM SPACE OF 500mm CENTER TO CENTER BETWEEN SUCTION DISCS TO BE VALIDATED BY AN ENGINEER.



540, Lucien-Thibodeau
 Portneuf, Qc. G0A 2Y0
 Tel. 1.450.670.6844
 Fax. 1.450.670.7144
 unichel@unicelarchitectural.com
 www.unicelarchitectural.com

DETAILS

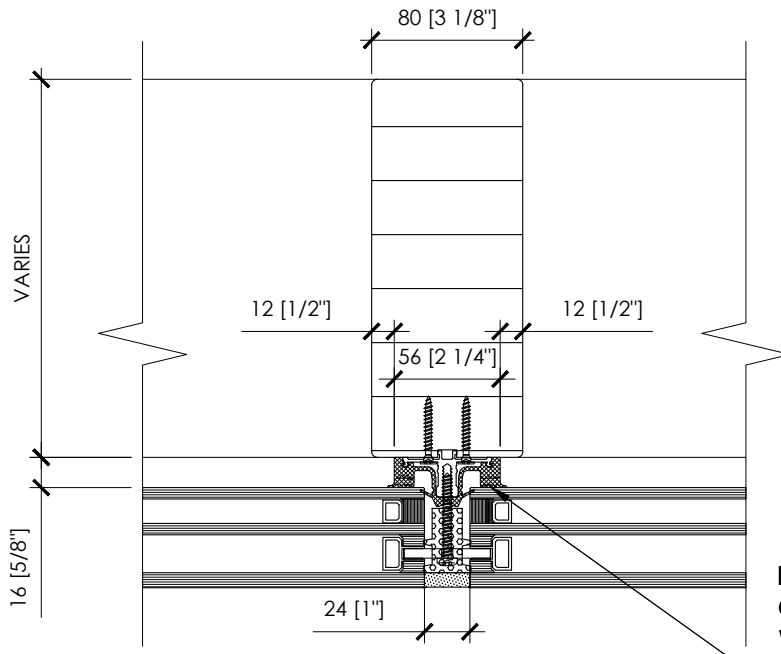
Title :
THERM+ H-I - SG2 SYSTEM
 WITH SUCTION DISC - TRIPLE GLAZING

DRAWING BY :
M. LAVOIE

UPDATE :
 Nom : J.PAUL-HUS Date : 2021-06-11

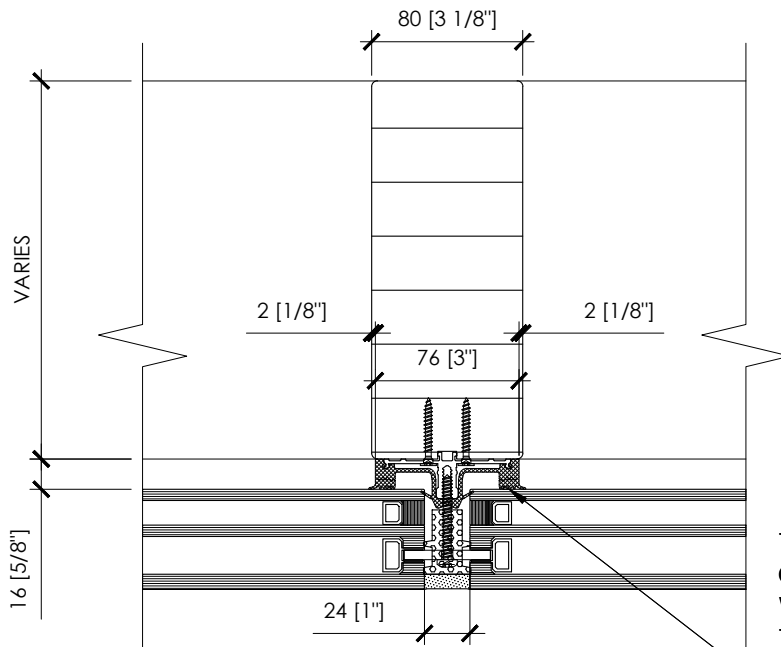
Page :

2.1.6.5



RAICO SG2 TOGGLE OPTION IS DESIGNED TO WORK WITH THE THERM+ HI-56 SYSTEM TO RESPECT THE REQUIRED 16mm GLASS BITE

VERTICAL SYSTEM (MULLION)



THE GLASS COMPOSITION FIXED WITH RAICO SG2 TOGGLE OPTION ON THE THERM+ HI-76 SYSTEM HAS TO BE CERTIFIED BY A GLASS ENGINEER (BY OTHERS)

VERTICAL SYSTEM (MULLION)



540, Lucien-Thibodeau
Portneuf, Qc, G0A 2Y0
Tel. 1.450.670.6844
Fax. 1.450.670.7144
unicel@unicelarchitectural.com
www.unicelarchitectural.com

DETAILS

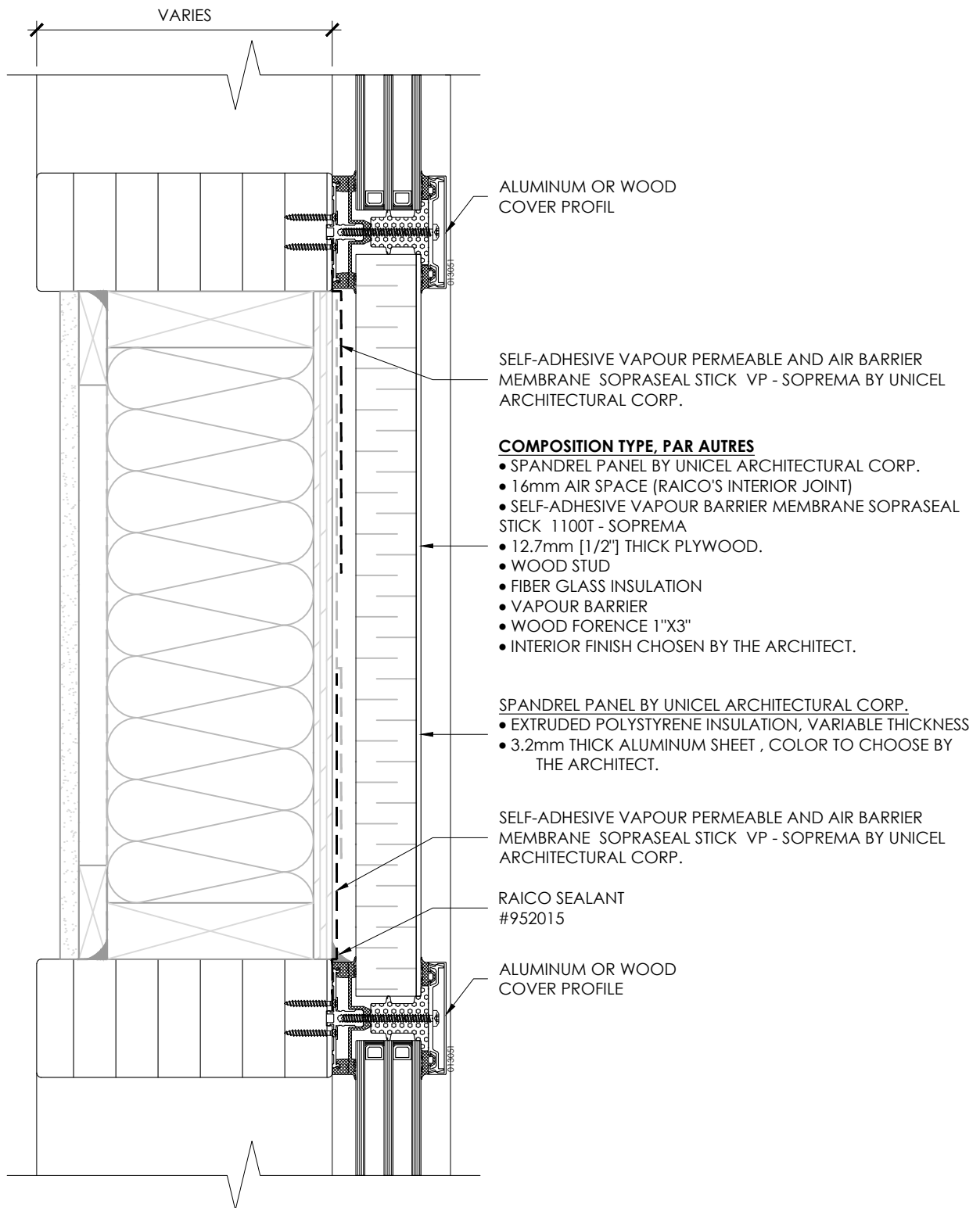
Title :
THERM+ H-I - SG2 SYSTEM
WITHOUT SUCTION DISC - TRIPLE GLAZING

DRAWING BY :
J. PAUL-HUS

UPDATE :
Nom : J.PAUL-HUS Date : 2021-06-11

Page :

2.1.6.6



540, Lucien-Thibodeau
 Portneuf, Qc. G0A 2Y0
 Tel. 1.450.670.6844
 Fax. 1.450.670.7144
 unichel@unicelarchitectural.com
 www.unicelarchitectural.com

DETAILS

Title :
 TYPICAL SPANDREL PANEL

DRAWING BY :
 M. LAVOIE

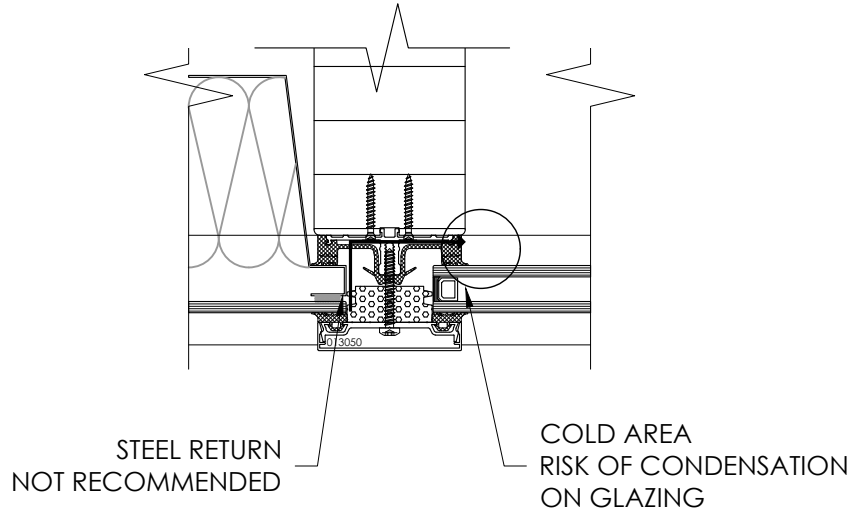
UPDATE :
 Nom : J.PAUL-HUS Date : 2021-06-11

Page :

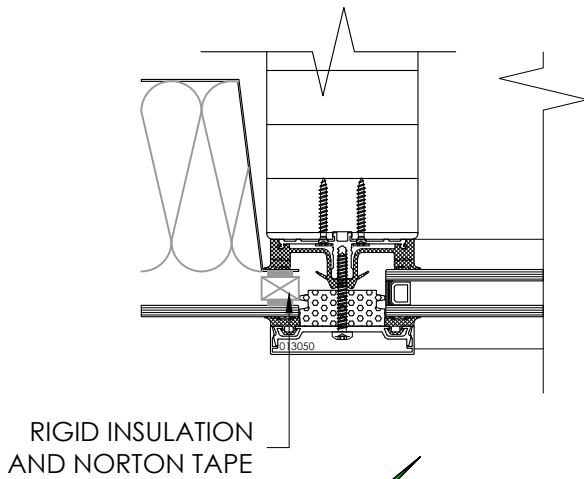
2.1.7

CAUTION

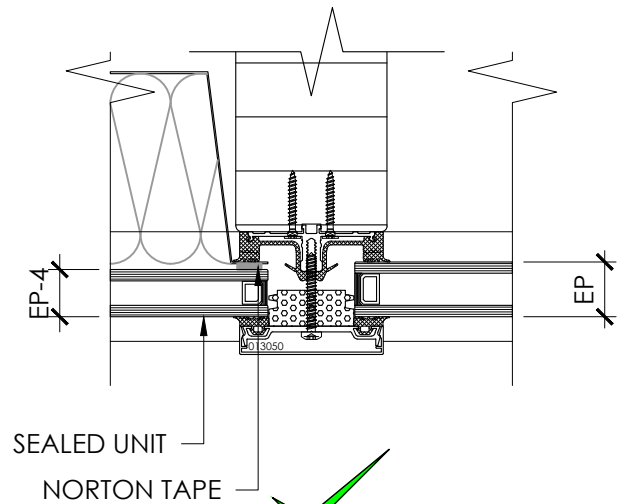
Unicel Architectural Corp. don't recommend to use steel return on isolated back pans curtain wall. This method could result in a high risk of condensation at the edge of the adjacent glazing. They can create a thermal bridge and cool the aluminum base profile. We suggest to use rigid insulation at the perimeter of the isolated back pans curtain wall to compensate the glass thickness. We can also use exterior spandrel glass assembled in sealed units in front of the isolated back pans curtain wall.



Poor desing



Good desing



Good desing



540, Lucien-Thibodeau
Portneuf, Qc, G0A 2Y0
Tel. 1.450.670.6844
Fax. 1.450.670.7144
unicel@unicelarchitectural.com
www.unicelarchitectural.com

DETAILS

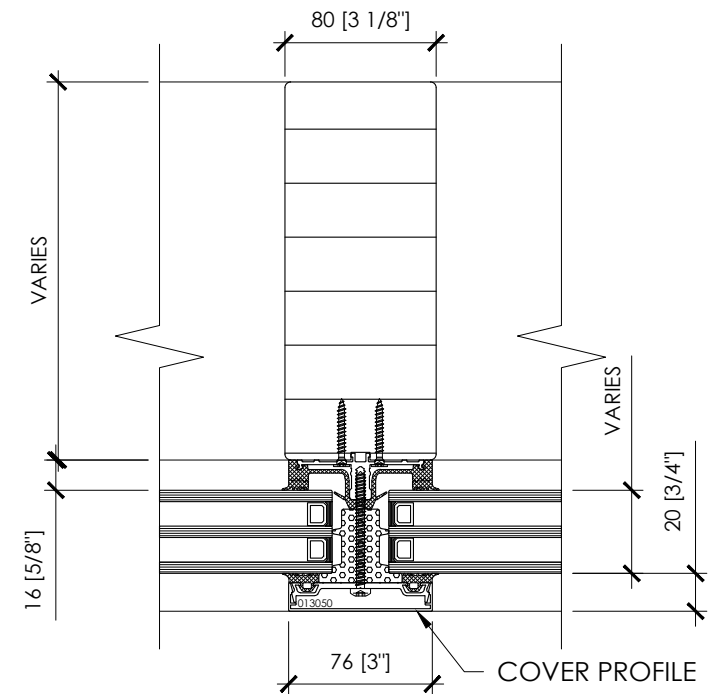
Title :
GALVANIZED STEEL BACK PAN CURTAIN WALL

DRAWING BY :
M. LAVOIE

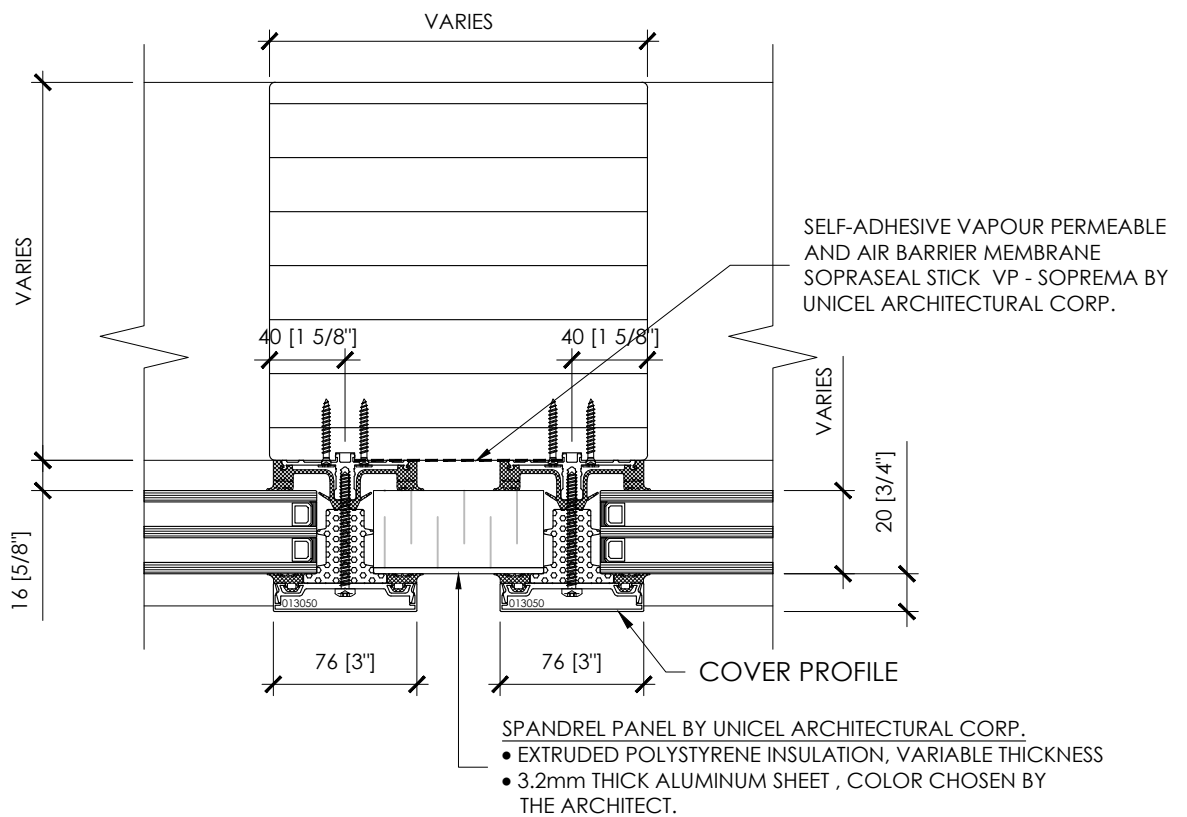
UPDATE :
Nom : J.PAUL-HUS Date : 2021-06-11

Page :

2.1.8



STRUCTURAL TIMBER CURTAIN WALL
REGULAR MULLION



STRUCTURAL TIMBER CURTAIN WALL
COLUMN WITH 2 RAICO SYSTEMS



540, Lucien-Thibodeau
Portneuf, Qc, G0A 2Y0
Tel. 1.450.670.6844
Fax. 1.450.670.7144
unicel@unicelarchitectural.com
www.unicelarchitectural.com

DETAILS

Title :

THERM+ H-I 76/80
STRUCTURAL SYSTEM

DRAWING BY :

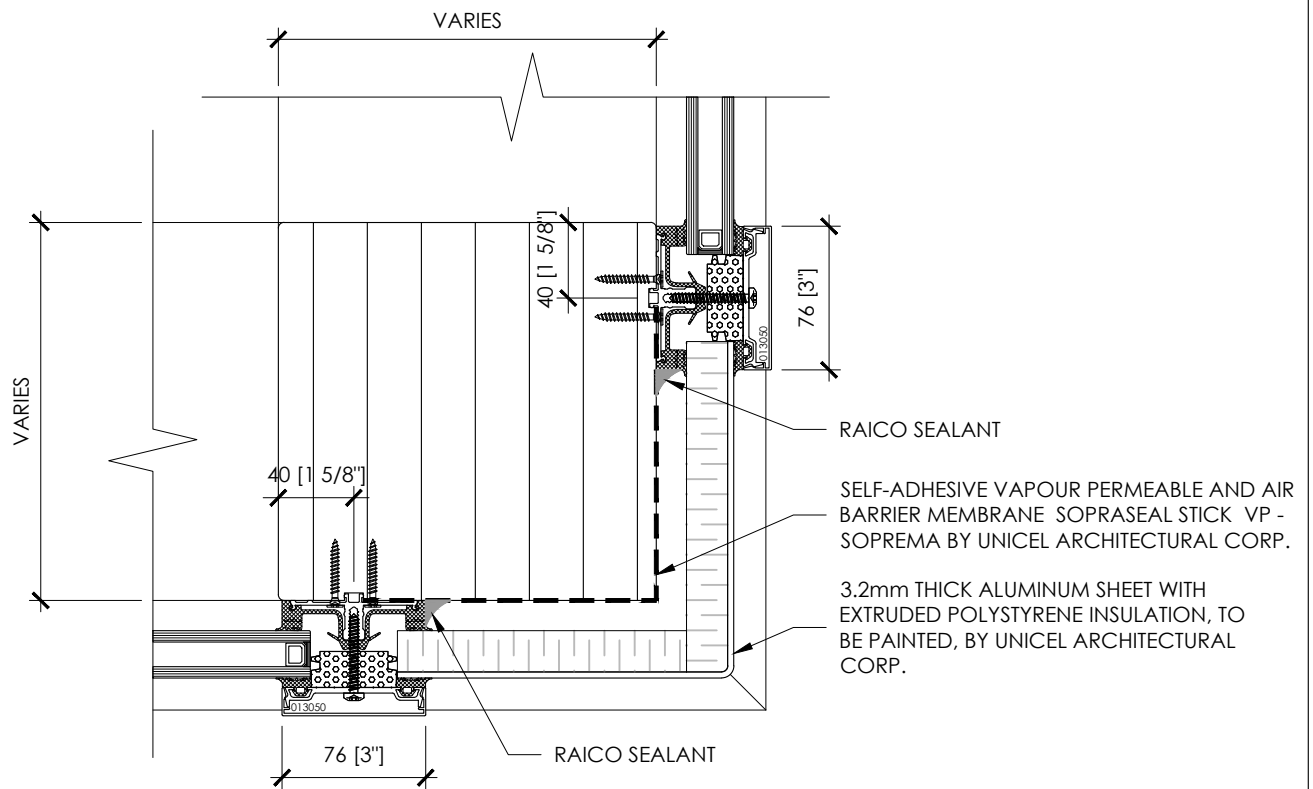
M. LAVOIE

UPDATE :

Nom : J.PAUL-HUS Date : 2021-06-11

Page :

3.1



SECTION DETAIL



540, Lucien-Thibodeau
Portneuf, Qc. G0A 2Y0
Tel. 1.450.670.6844
Fax. 1.450.670.7144
unicel@unicelarchitectural.com
www.unicelarchitectural.com

DETAILS

Title :

THERM+ H-I 76/80
WOOD COLUMN CORNER

DRAWING BY :

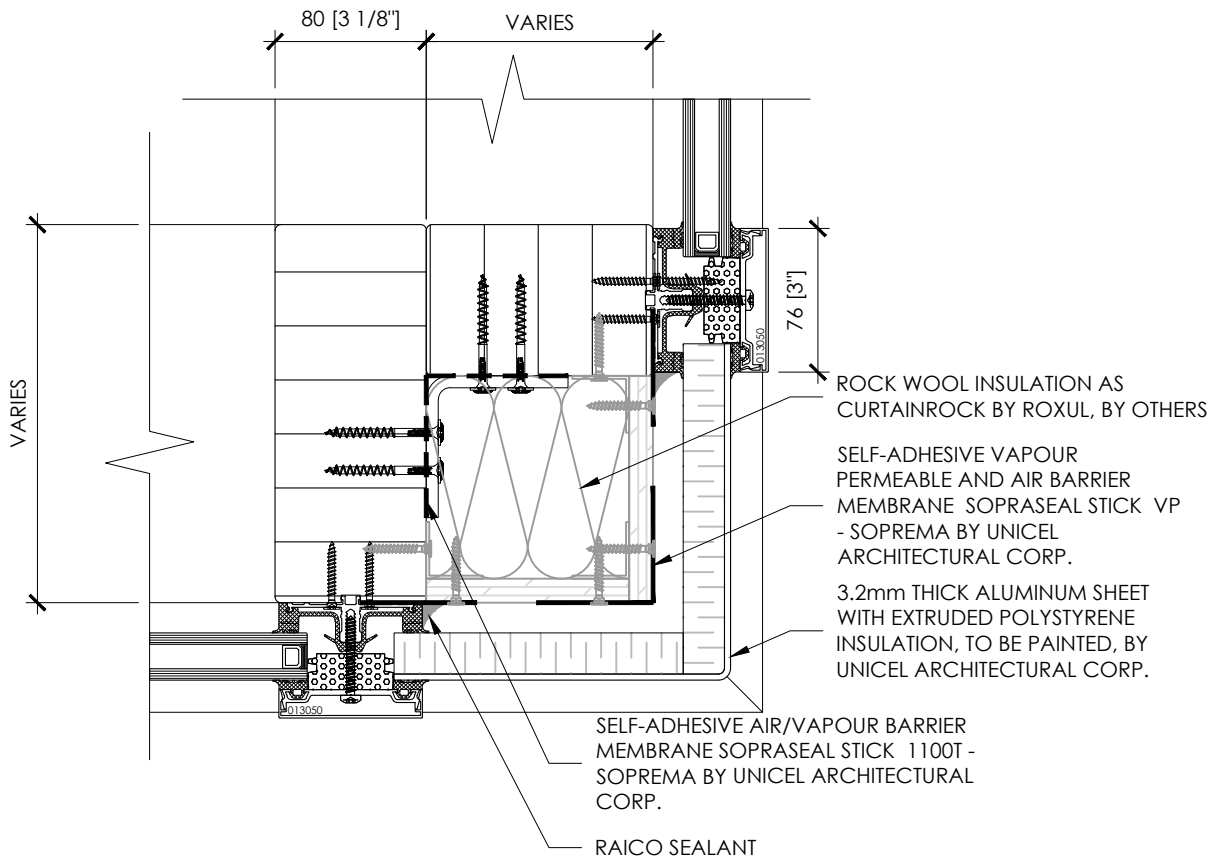
M. LAVOIE

UPDATE :

Nom : J.PAUL-HUS Date : 2021-06-11

Page :

4.1.1.1



SECTION DETAIL



540, Lucien-Thibodeau
Portneuf, Qc, G0A 2Y0
Tel. 1.450.670.6844
Fax. 1.450.670.7144
unicel@unicelarchitectural.com
www.unicelarchitectural.com

DETAILS

Title :

THERM+ H-I 76/80
INSULATED COLUMN CORNER

DRAWING BY :

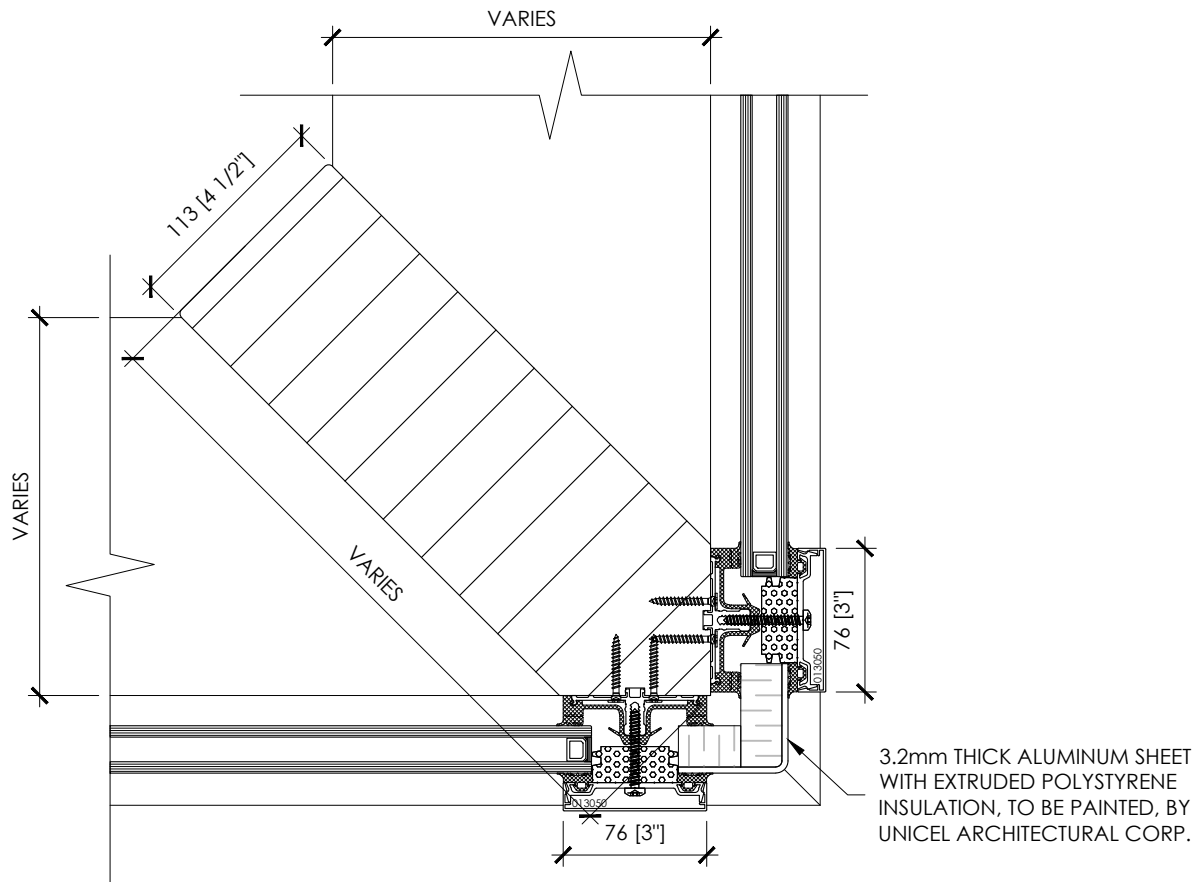
M. LAVOIE

UPDATE :

Nom : J.PAUL-HUS Date : 2021-06-11

Page :

4.1.1.2



SECTION DETAIL



540, Lucien-Thibodeau
 Portneuf, Qc, G0A 2Y0
 Tel. 1.450.670.6844
 Fax. 1.450.670.7144
 unichel@unicelarchitectural.com
 www.unicelarchitectural.com

DETAILS

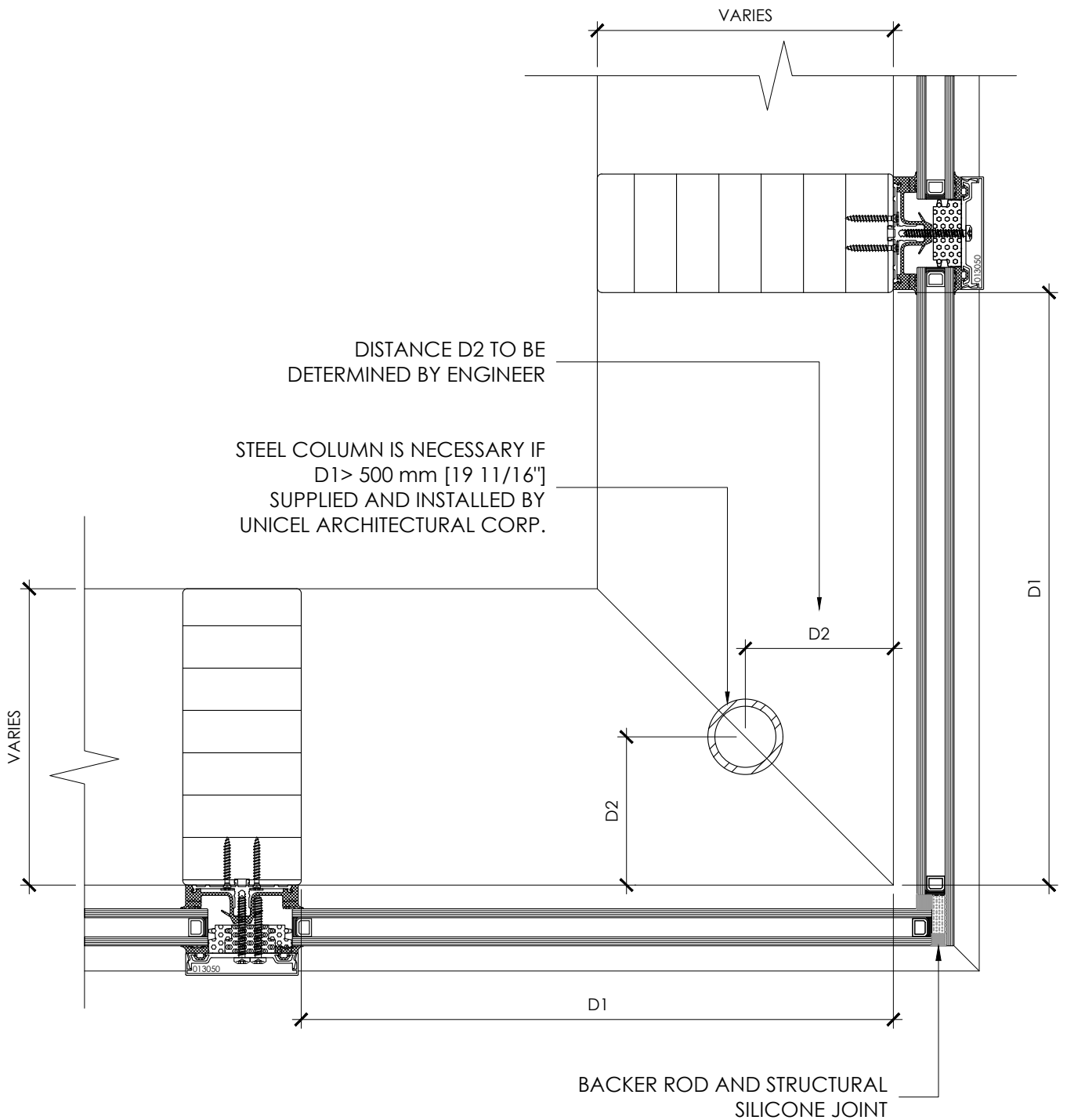
Title :
THERM+ H-I 76/80
 45° MULLION CORNER

DRAWING BY :
M. LAVOIE

UPDATE :
 Nom : J.PAUL-HUS Date : 2021-06-11

Page :

4.1.1.3



SECTION DETAIL



540, Lucien-Thibodeau
Portneuf, Qc, G0A 2Y0
Tel. 1.450.670.6844
Fax. 1.450.670.7144
unicel@unicelarchitectural.com
www.unicelarchitectural.com

DETAILS

Title :

THERM+ H-I 76/80
CORNER WITH STEEL COLUMN

DRAWING BY :

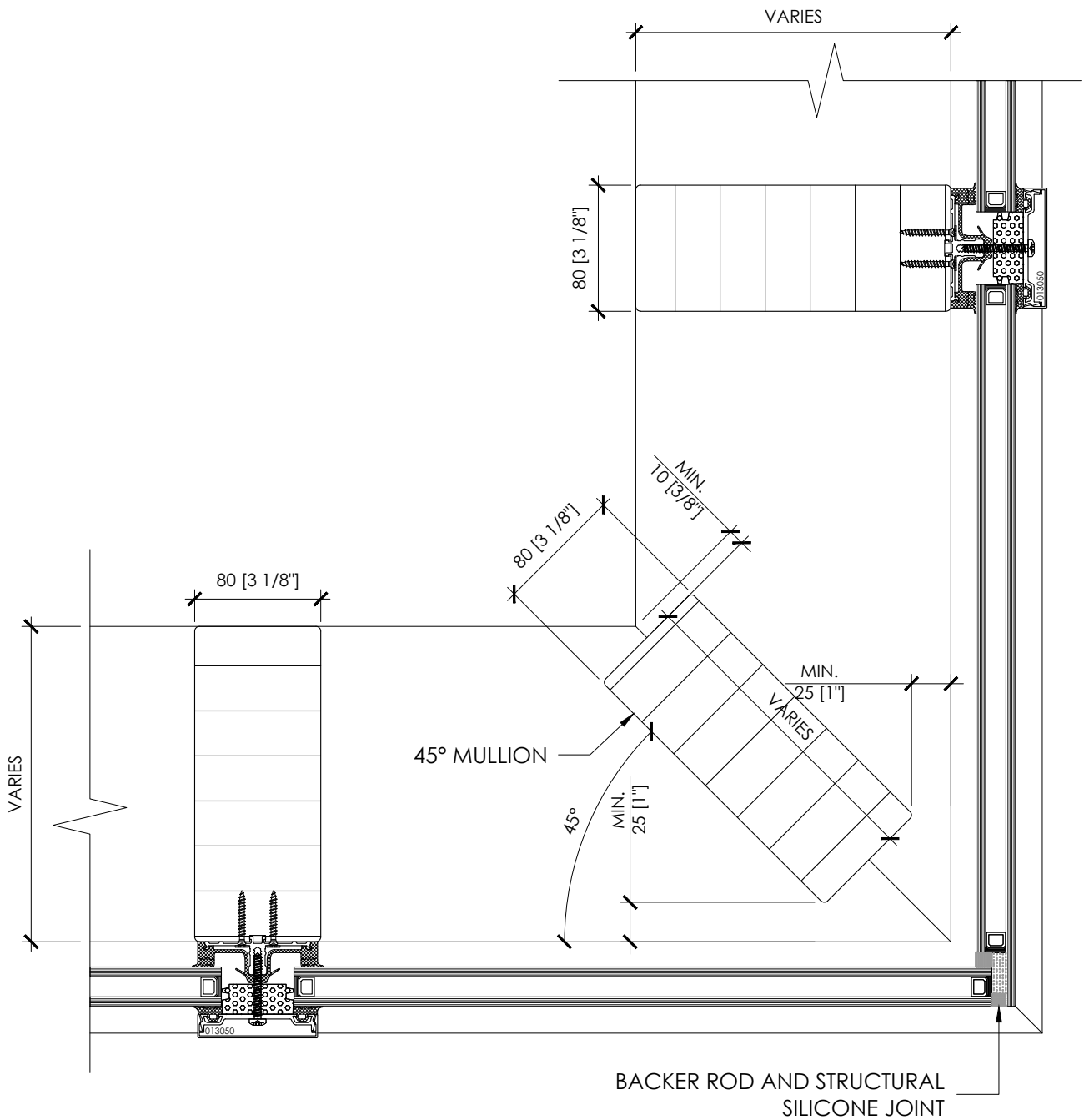
M. LAVOIE

UPDATE :

Nom : J.PAUL-HUS Date : 2021-06-11

Page :

4.1.2.1



SECTION DETAIL



540, Lucien-Thibodeau
 Portneuf, Qc, G0A 2Y0
 Tel. 1.450.670.6844
 Fax. 1.450.670.7144
 unichel@unicelarchitectural.com
 www.unicelarchitectural.com

DETAILS

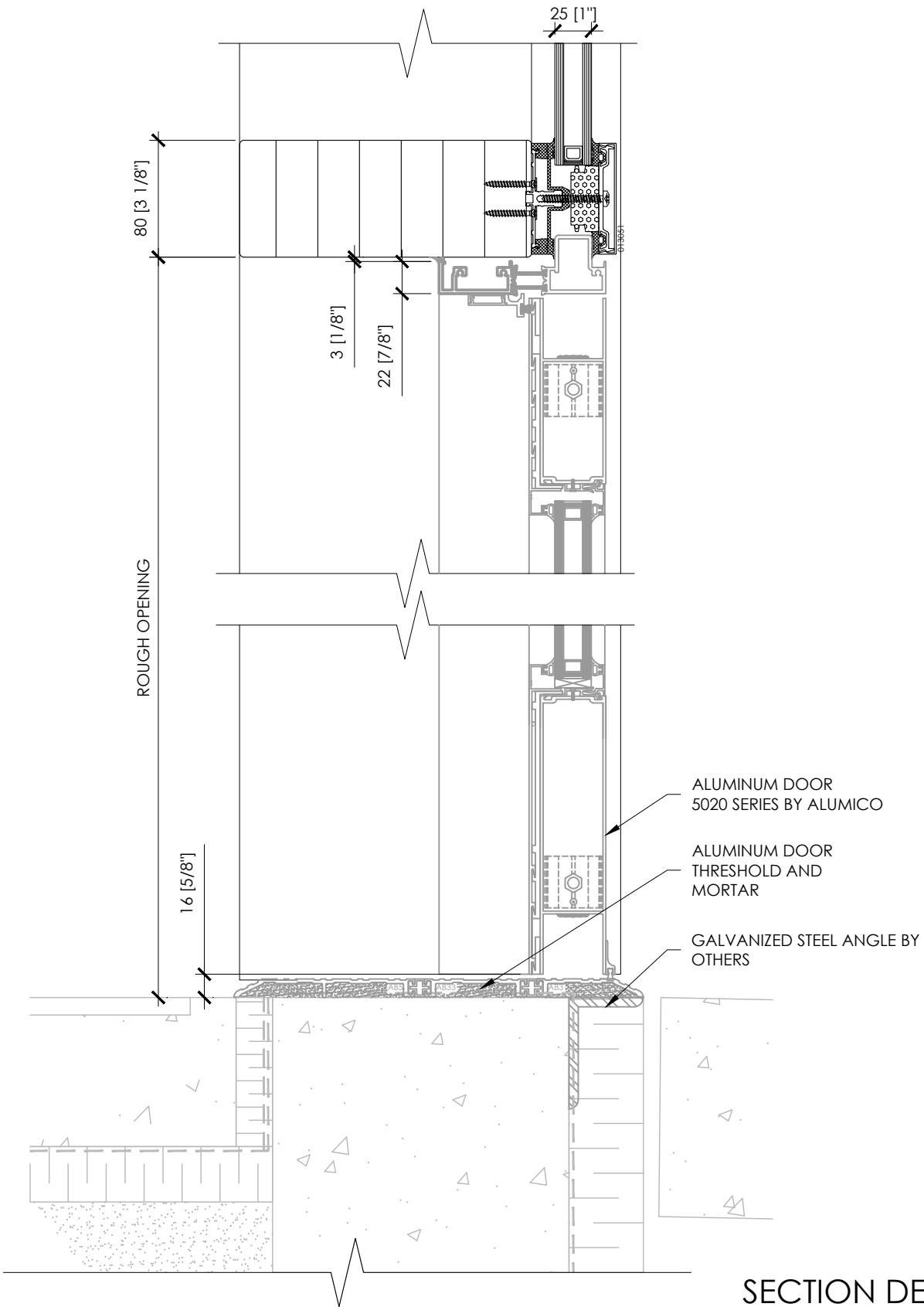
Title :
THERM+ H-I 76/80
 COLUMN WITH WOOD COLUMN

DRAWING BY :
M. LAVOIE

UPDATE :
 Nom : J.PAUL-HUS Date : 2021-06-11

Page :

4.1.2.2



SECTION DETAIL



540, Lucien-Thibodeau
 Portneuf, Qc, G0A 2Y0
 Tel. 1.450.670.6844
 Fax. 1.450.670.7144
 unichel@unicelarchitectural.com
 www.unicelarchitectural.com

DETAILS

Title :

THERM+ H-I 76/80
 ALUMINUM DOOR - ALUMICO - DOUBLE GLAZING

DRAWING BY :

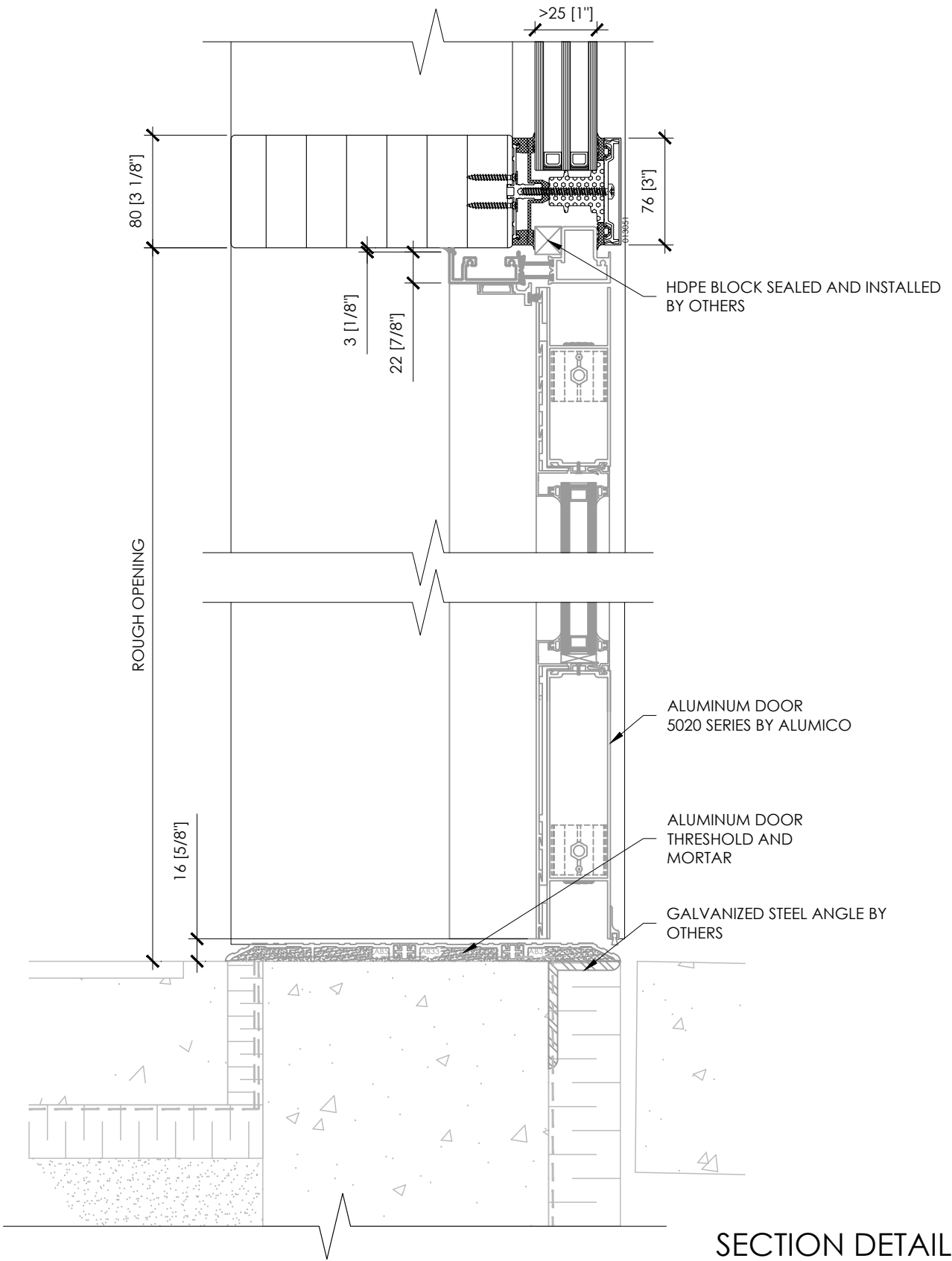
M. LAVOIE

UPDATE :

Nom : J.PAUL-HUS Date : 2021-06-11

Page :

5.1.1



540, Lucien-Thibodeau
 Portneuf, Qc, G0A 2Y0
 Tel. 1.450.670.6844
 Fax. 1.450.670.7144
 unichel@unicelarchitectural.com
 www.unicelarchitectural.com

DETAILS

Title :

THERM+ H-I 76/80
 ALUMINUM DOOR - ALUMICO - TRIPLE GLAZING

DRAWING BY :

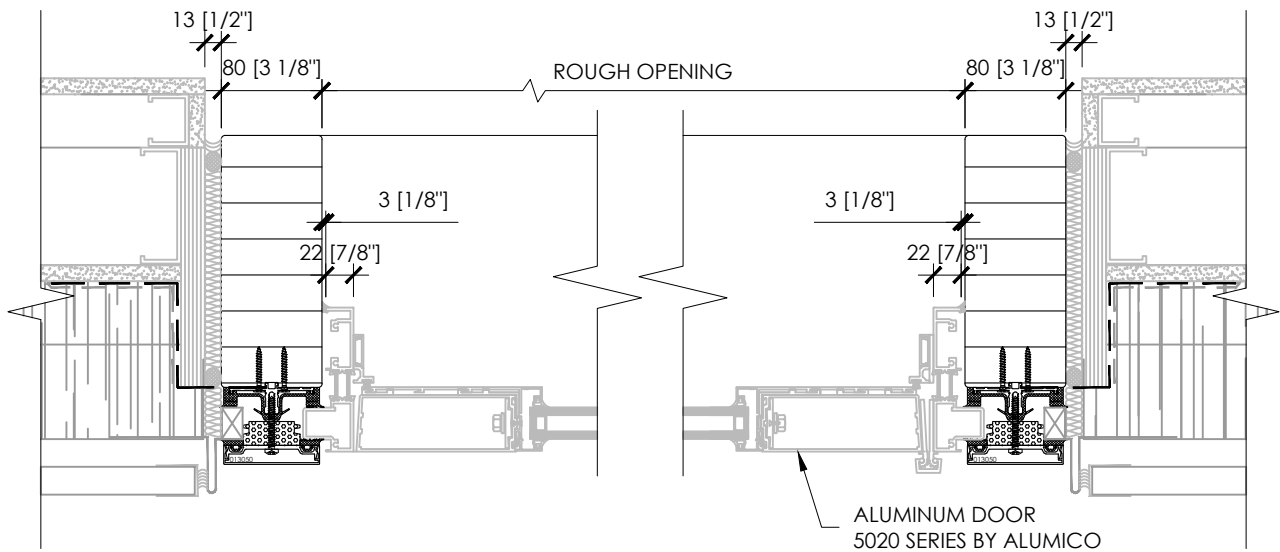
M. LAVOIE

UPDATE :

Nom : J.PAUL-HUS Date : 2021-06-11

Page :

5.1.2



PLAN DETAIL



540, Lucien-Thibodeau
 Portneuf, Qc, G0A 2Y0
 Tel. 1.450.670.6844
 Fax. 1.450.670.7144
 unichel@unicelarchitectural.com
 www.unicelarchitectural.com

DETAILS

Title :

THERM+ H-I 76/80
 ALUMINUM DOOR - ALUMICO - DOUBLE GLAZING

DRAWING BY :

M. LAVOIE

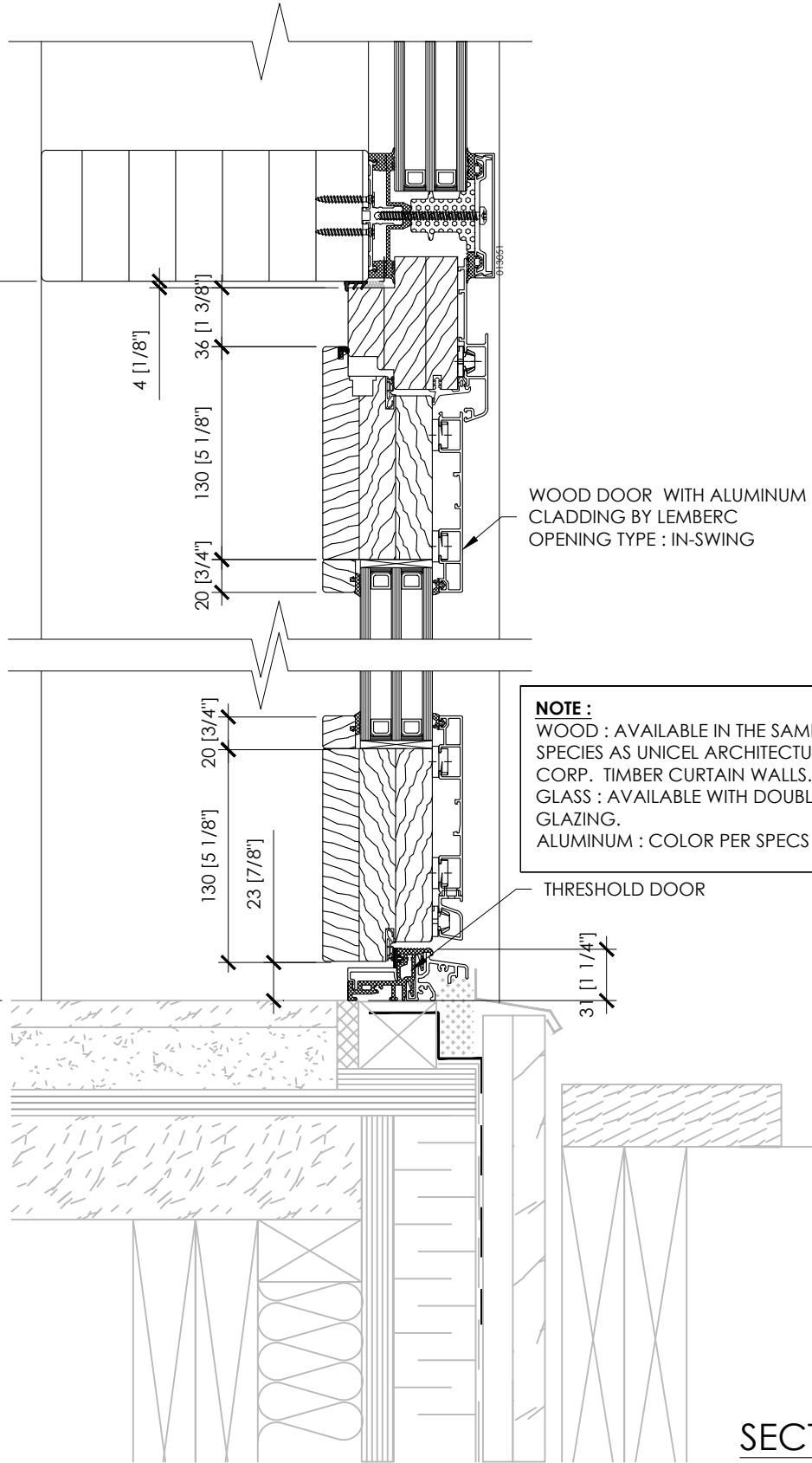
UPDATE :

Nom : J.PAUL-HUS Date : 2021-06-11

Page :

5.1.3

ROUGH OPENING



WOOD DOOR WITH ALUMINUM
CLADDING BY LEMBERC
OPENING TYPE : IN-SWING

NOTE :
WOOD : AVAILABLE IN THE SAME
SPECIES AS UNICEL ARCHITECTURAL
CORP. TIMBER CURTAIN WALLS.
GLASS : AVAILABLE WITH DOUBLE
GLAZING.
ALUMINUM : COLOR PER SPECS

THRESHOLD DOOR

SECTION DETAIL



540, Lucien-Thibodeau
Portneuf, Qc, G0A 2Y0
Tel. 1.450.670.6844
Fax. 1.450.670.7144
unicel@unicelarchitectural.com
www.unicelarchitectural.com

DETAILS

Title :

THERM+ H-I 76/80
WOOD DOOR - LEMBERC - TRIPLE GLAZING

DRAWING BY :

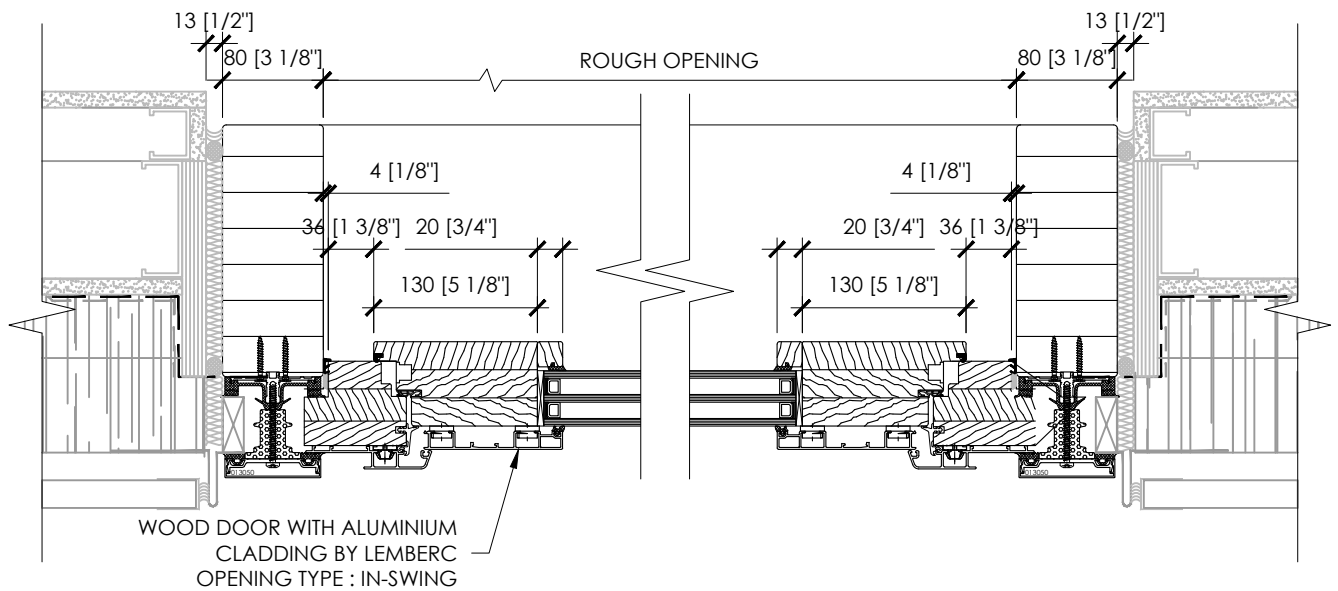
M. LAVOIE

UPDATE :

Nom : J.PAUL-HUS Date : 2021-06-11

Page :

5.2.1



PLAN DETAIL

NOTE :
 WOOD : AVAILABLE IN THE SAME SPECIES AS UNICEL ARCHITECTURAL CORP. TIMBER CURTAIN WALLS.
 GLASS : AVAILABLE WITH DOUBLE GLAZING.
 ALUMINIUM : COLOR PER SPECS



540, Lucien-Thibodeau
 Portneuf, Qc, G0A 2Y0
 Tel. 1.450.670.6844
 Fax. 1.450.670.7144
 unichel@unicelarchitectural.com
 www.unicelarchitectural.com

DETAILS

Title :

THERM+ H-I 76/80
 WOOD DOOR - LEMBERC - TRIPLE GLAZING

DRAWING BY :

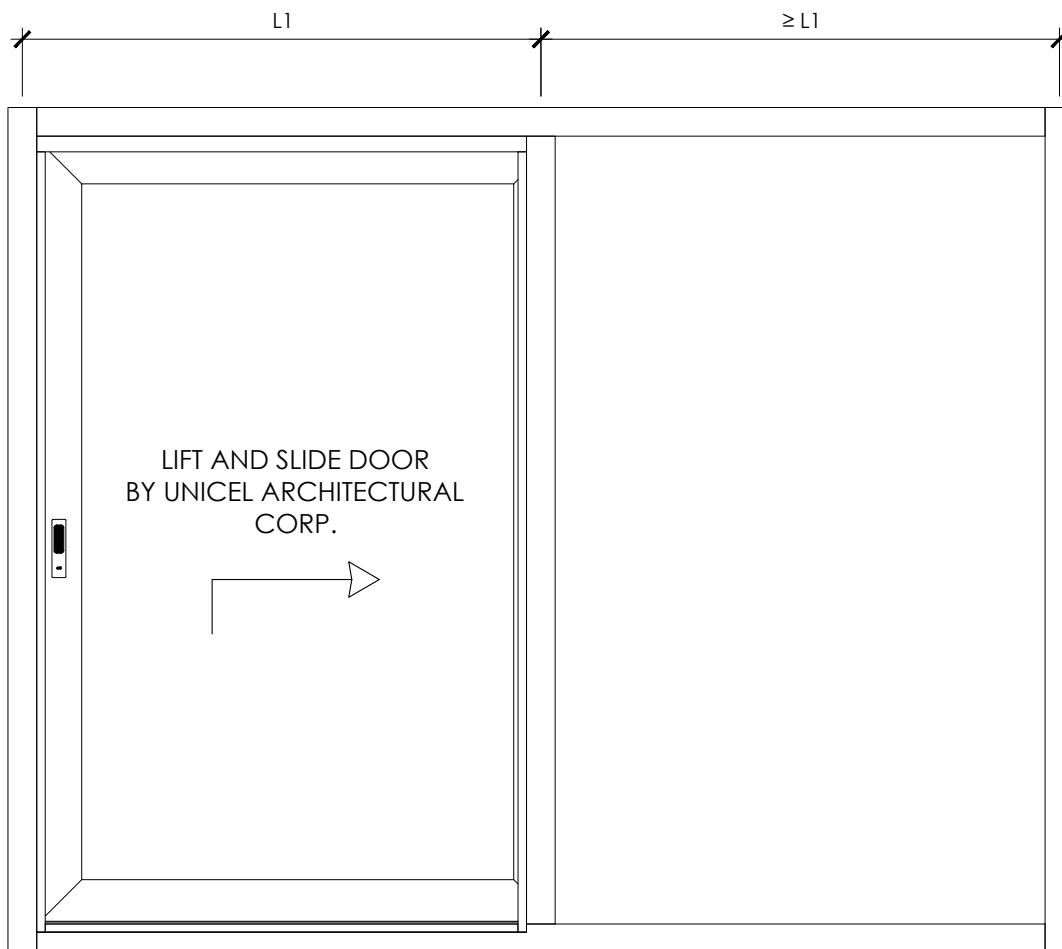
M. LAVOIE

UPDATE :

Nom : J.PAUL-HUS Date : 2021-06-11

Page :

5.2.2



SINGLE LIFT AND SLIDE DOOR ELEVATION
(STANDARD)

NOTE: THE MODEL OF WOOD LIFT AND SLIDE DOOR (STANDARD) IS ALSO AVAILABLE IN DOUBLE FORMAT .



540, Lucien-Thibodeau
Portneuf, Qc, G0A 2Y0
Tel. 1.450.670.6844
Fax. 1.450.670.7144
unicel@unicelarchitectural.com
www.unicelarchitectural.com

DETAILS

Title :

THERM+ H-I 76/80
SINGLE WOOD LIFT AND SLIDE DOOR (STANDARD) - UNICEL

DRAWING BY :

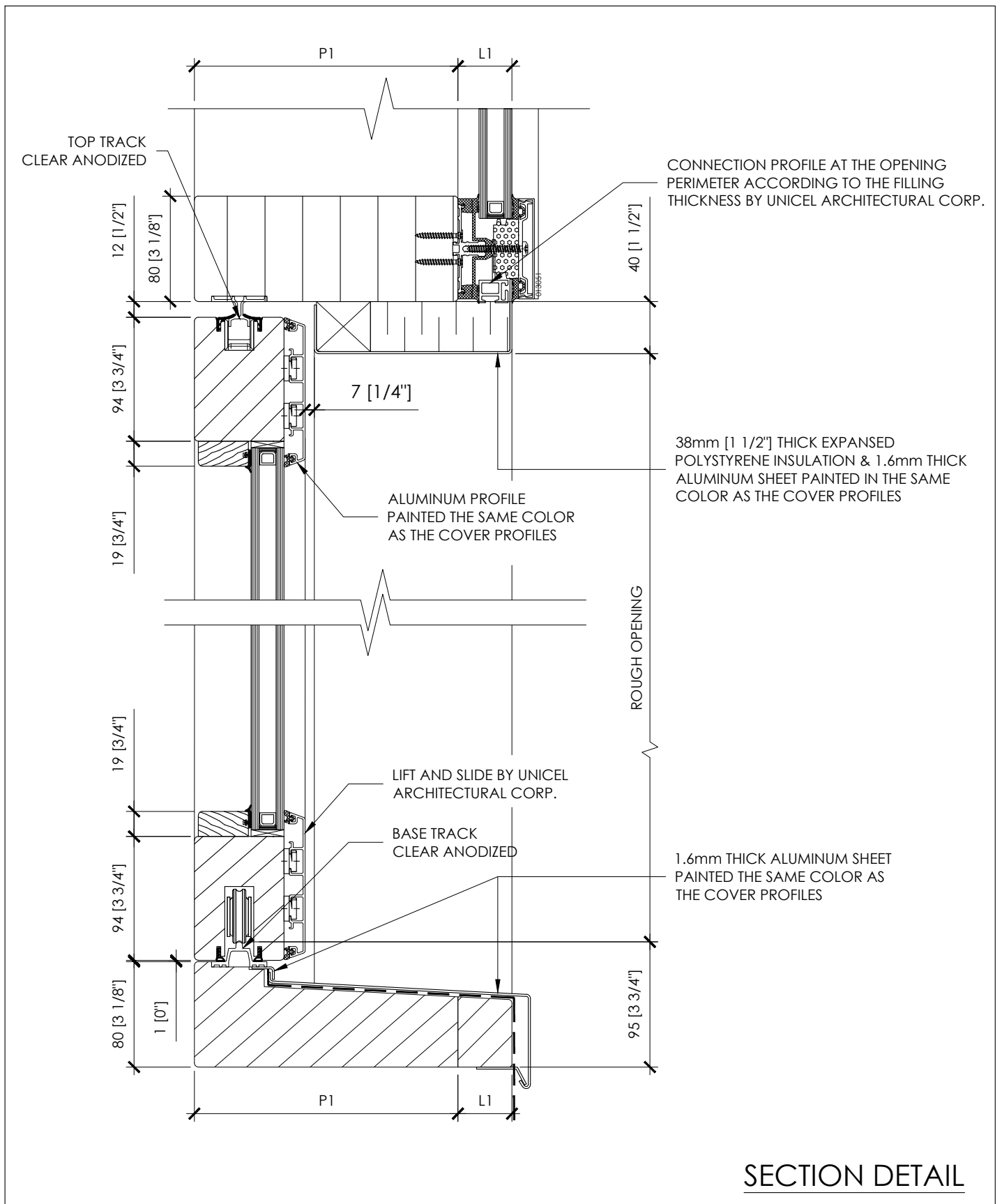
M. LAVOIE

UPDATE :

Nom : J.PAUL-HUS Date : 2021-06-11

Page :

5.3



SECTION DETAIL



540, Lucien-Thibodeau
 Portneuf, Qc. G0A 2Y0
 Tel. 1.450.670.6844
 Fax. 1.450.670.7144
 unichel@unicelarchitectural.com
 www.unicelarchitectural.com

DETAILS

Title :

THERM+ H-I 76/80
 SINGLE WOOD LIFT AND SLIDE DOOR (STANDARD)
 UNICEL - DOUBLE GLAZING

DRAWING BY :

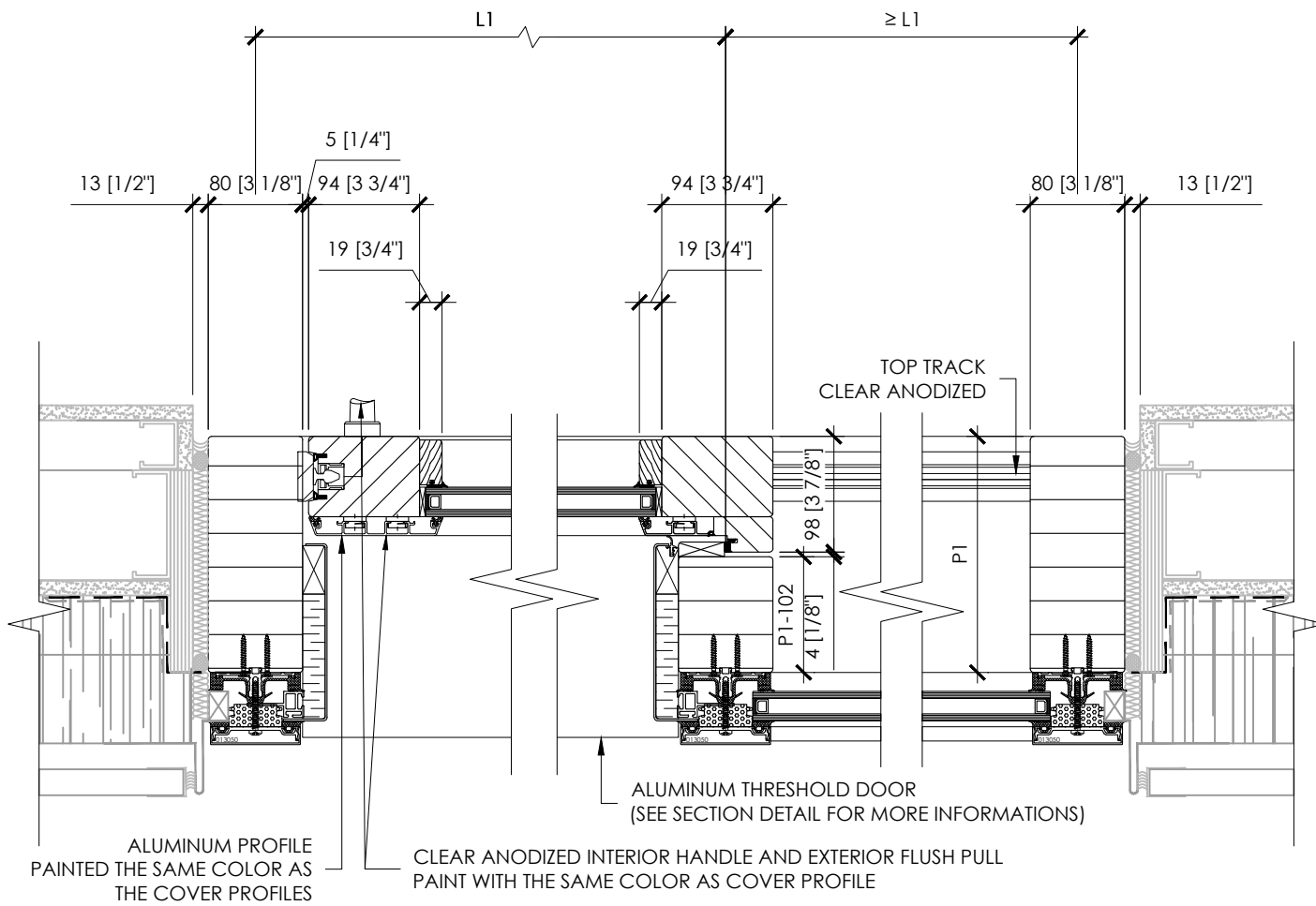
M. LAVOIE

UPDATE :

Nom : J.PAUL-HUS Date : 2021-06-11

Page :

5.3.1



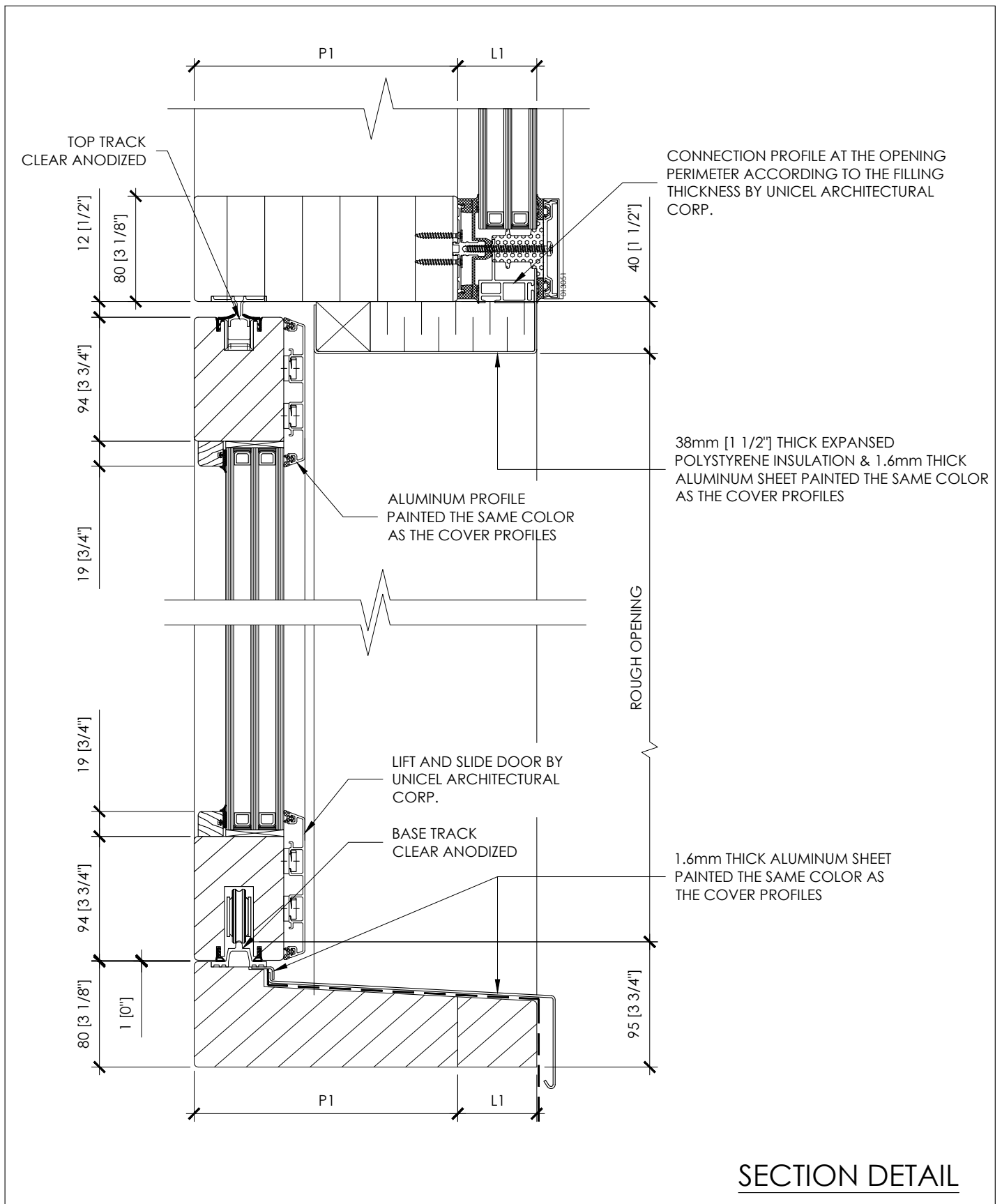
PLAN DETAIL



540, Lucien-Thibodeau
 Portneuf, Qc, G0A 2Y0
 Tel. 1.450.670.6844
 Fax. 1.450.670.7144
 unichel@unicelarchitectural.com
 www.unicelarchitectural.com

DETAILS

Title : THERM+ H-I 76/80 SINGLE WOOD LIFT AND SLIDE DOOR (STANDARD) UNICEL - DOUBLE GLAZING	DRAWING BY : M. LAVOIE	Page : 5.3.2
	UPDATE : Nom : J.PAUL-HUS Date : 2021-06-11	



SECTION DETAIL



540, Lucien-Thibodeau
Portneuf, Qc, G0A 2Y0
Tel. 1.450.670.6844
Fax. 1.450.670.7144
unicel@unicelarchitectural.com
www.unicelarchitectural.com

DETAILS

Title :

THERM+ H-I 76/80
SINGLE WOOD LIFT AND SLIDE DOOR (STANDARD)
UNICEL - TRIPLE GLAZING

DRAWING BY :

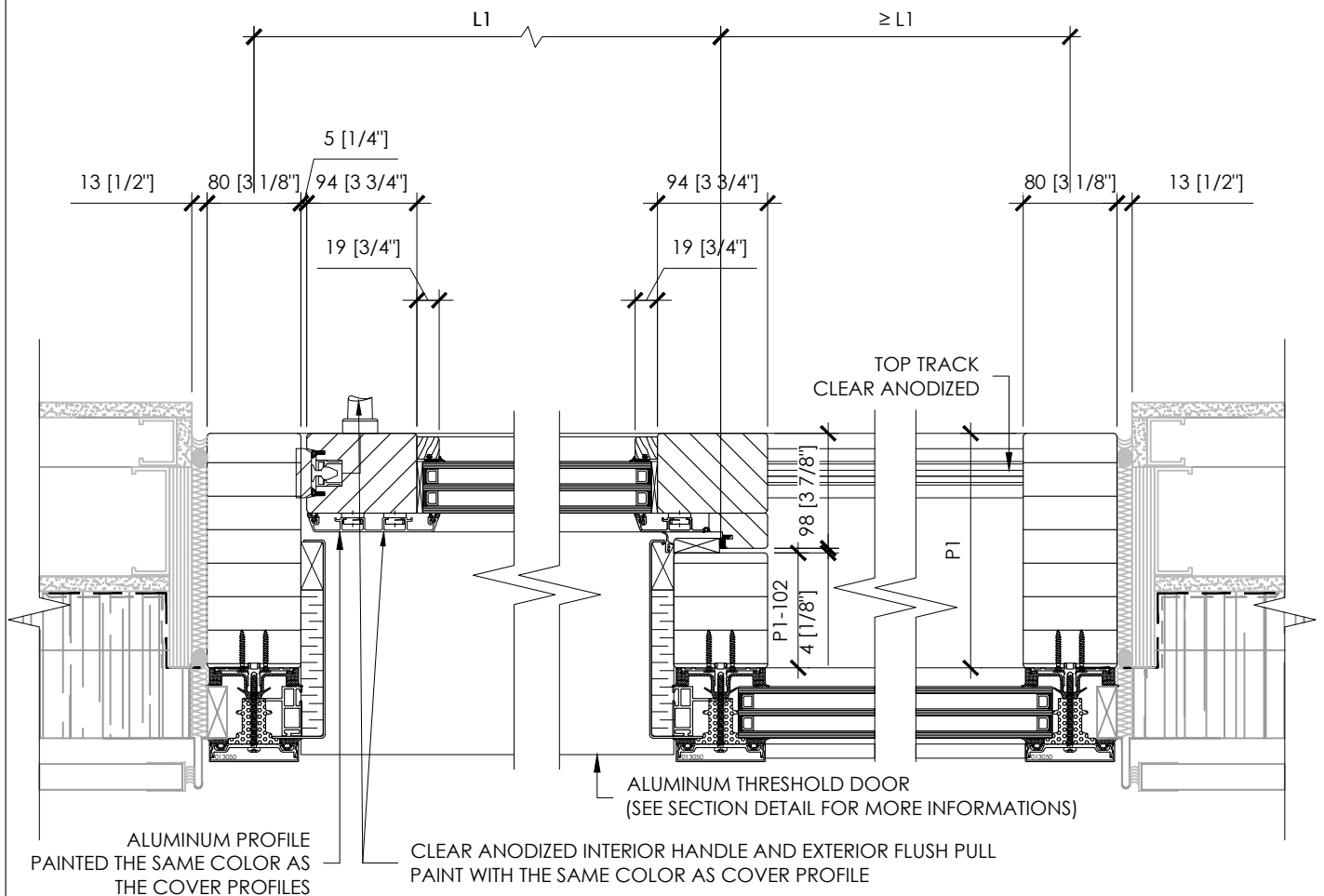
M. LAVOIE

UPDATE :

Nom : J.PAUL-HUS Date : 2021-06-11

Page :

5.3.3



PLAN DETAIL



540, Lucien-Thibodeau
 Portneuf, Qc. G0A 2Y0
 Tel. 1.450.670.6844
 Fax. 1.450.670.7144
 unichel@unicelarchitectural.com
 www.unicelarchitectural.com

DETAILS

Title :

THERM+ H-I 76/80
 SINGLE WOOD LIFT AND SLIDE DOOR (STANDARD)
 UNICEL - TRIPLE GLAZING

DRAWING BY :

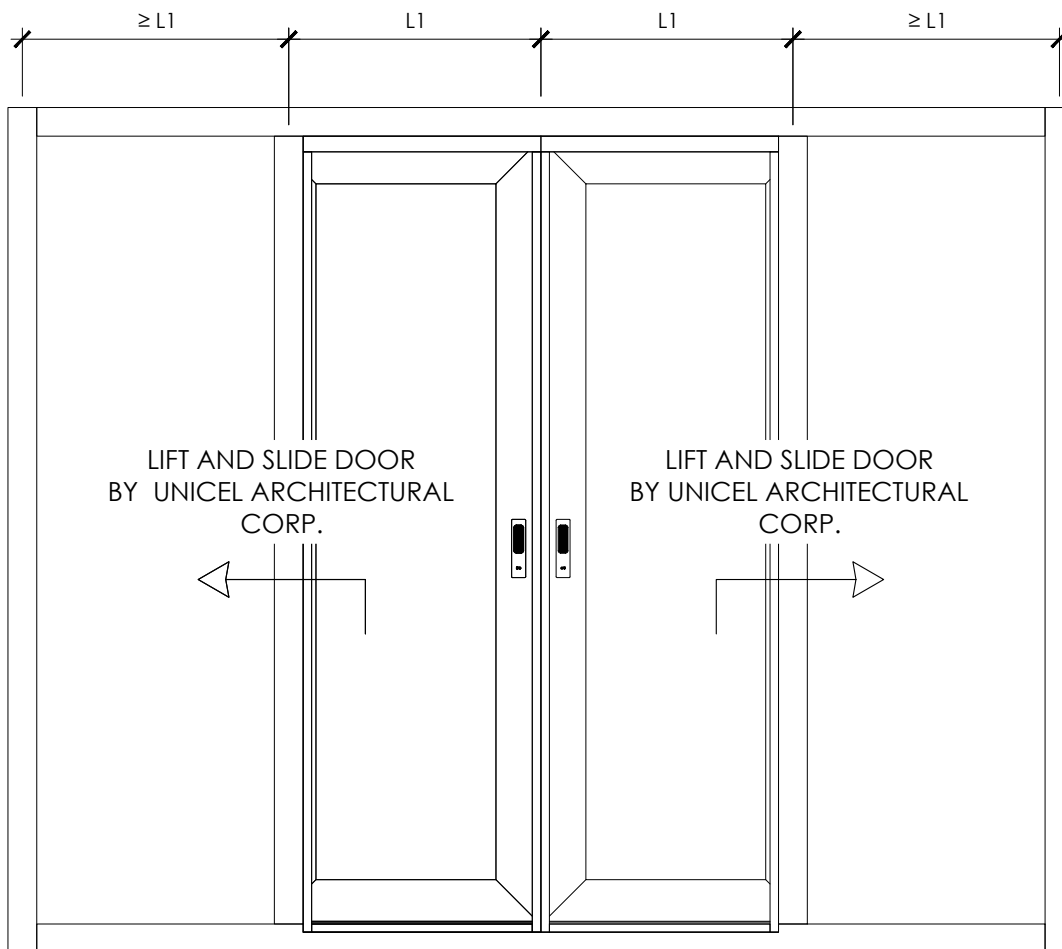
M. LAVOIE

UPDATE :

Nom : J.PAUL-HUS Date : 2021-06-11

Page :

5.3.4



DOUBLE LIFT AND SLIDE DOOR ELEVATION
(STANDARD)

NOTE: THE MODEL OF WOOD LIFT AND SLIDE DOOR (OVERSIZE) IS ALSO AVAILABLE IN SINGLE FORMAT .



540, Lucien-Thibodeau
Portneuf, Qc, G0A 2Y0
Tel. 1.450.670.6844
Fax. 1.450.670.7144
unicel@unicelarchitectural.com
www.unicelarchitectural.com

DETAILS

Title :

THERM+ H-I 76/80
DOUBLE WOOD LIFT AND SLIDE DOOR (OVERSIZE)
UNICEL - TRIPLE GLAZING

DRAWING BY :

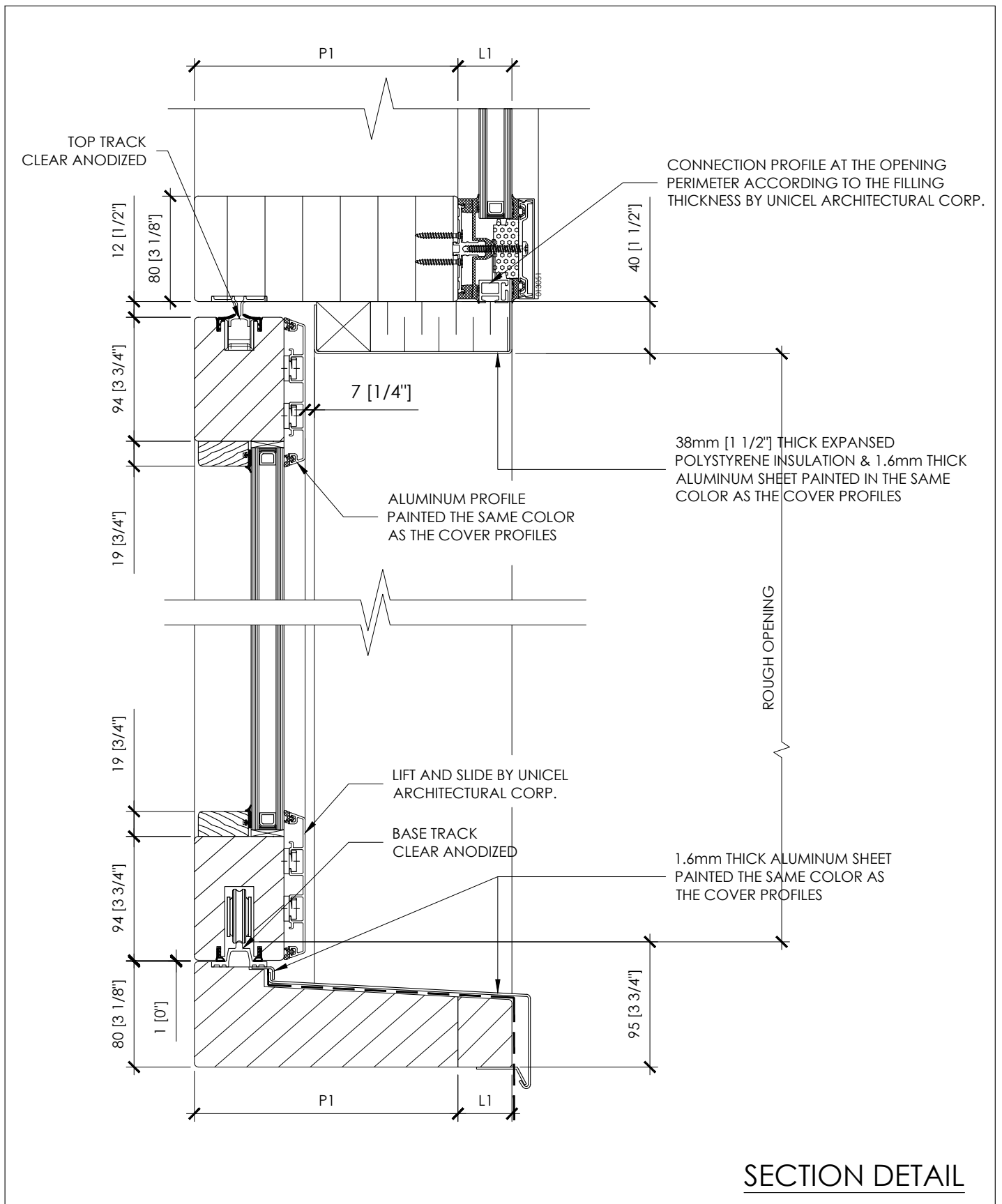
J.PAUL-HUS

UPDATE :

Nom : J.PAUL-HUS Date : 2021-06-11

Page :

5.4



SECTION DETAIL



540, Lucien-Thibodeau
 Portneuf, Qc. G0A 2Y0
 Tel. 1.450.670.6844
 Fax. 1.450.670.7144
 unichel@unicelarchitectural.com
 www.unicelarchitectural.com

DETAILS

Title :

THERM+ H-I 76/80
 DOUBLE WOOD LIFT AND SLIDE DOOR (STANDARD)
 UNICEL - DOUBLE GLAZING

DRAWING BY :

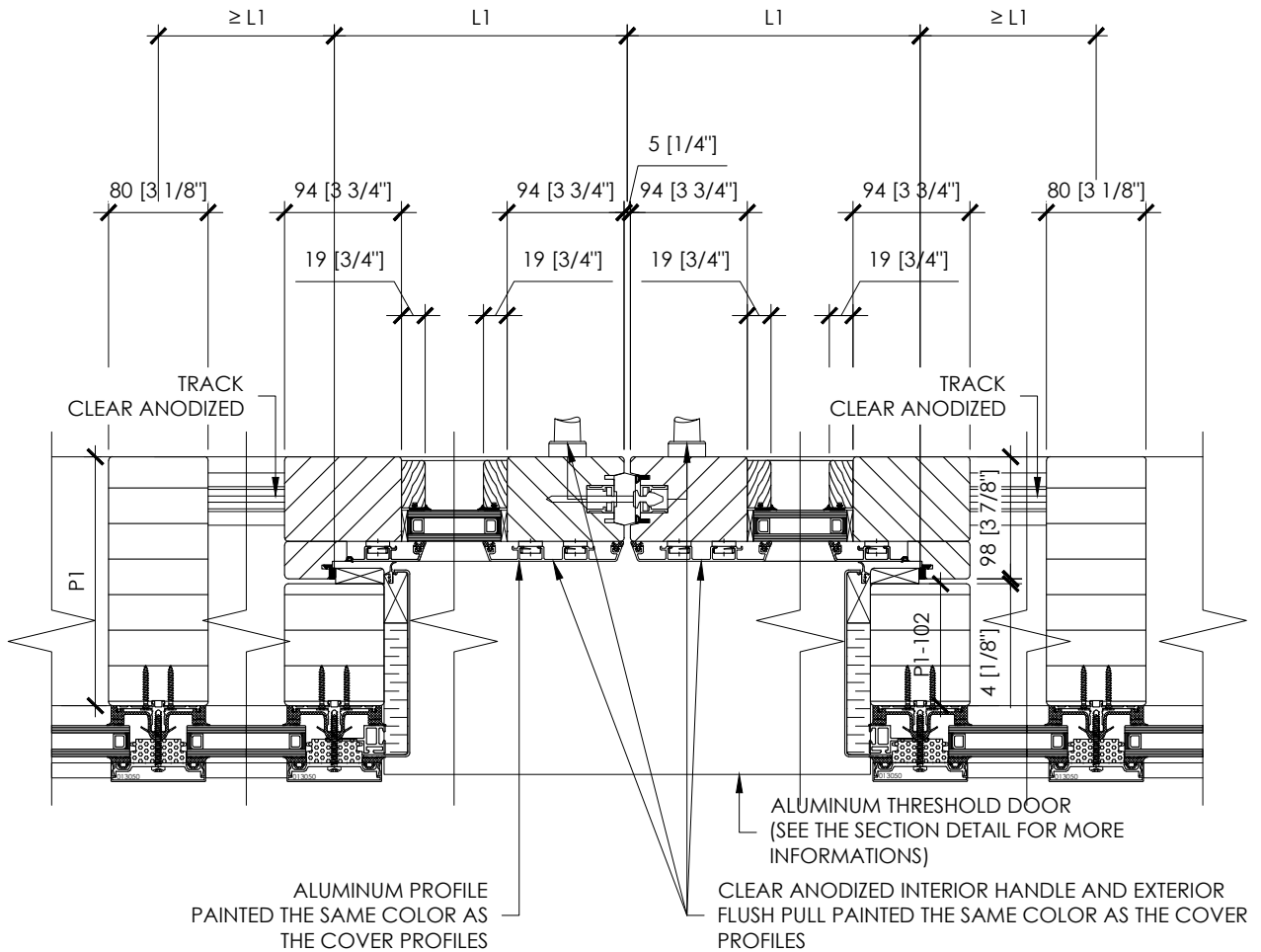
J.PAUL-HUS

UPDATE :

Nom : J.PAUL-HUS Date : 2021-06-11

Page :

5.4.1



PLAN DETAIL



540, Lucien-Thibodeau
 Portneuf, Qc, G0A 2Y0
 Tel. 1.450.670.6844
 Fax. 1.450.670.7144
 unichel@unicelarchitectural.com
 www.unicelarchitectural.com

DETAILS

Title :

THERM+ H-I 76/80
 DOUBLE WOOD LIFT AND SLIDE DOOR (OVERSIZE)
 UNICEL - DOUBLE GLAZING

DRAWING BY :

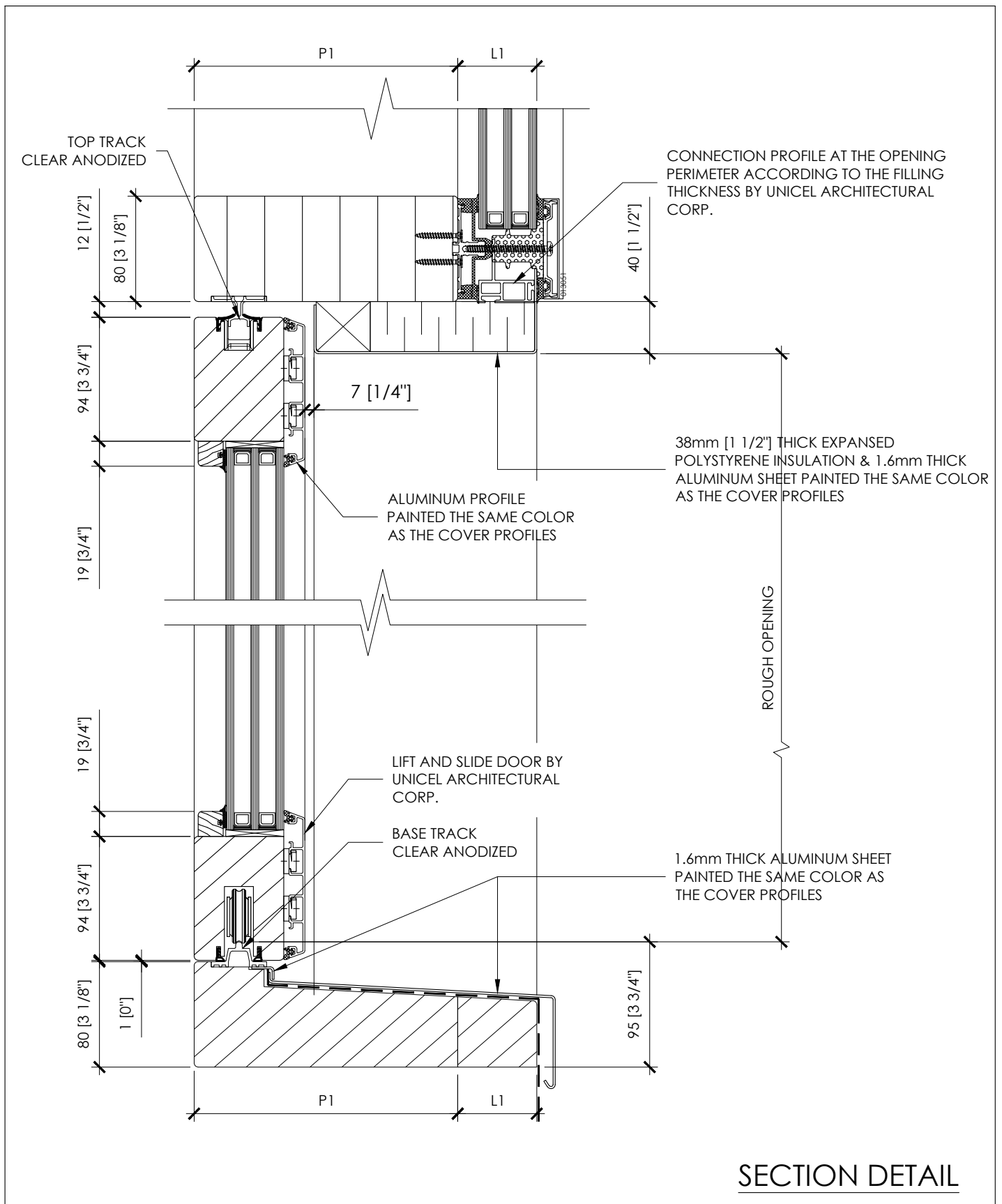
J.PAUL-HUS

UPDATE :

Nom : J.PAUL-HUS Date : 2021-06-11

Page :

5.4.2



SECTION DETAIL



540, Lucien-Thibodeau
 Portneuf, Qc, G0A 2Y0
 Tel. 1.450.670.6844
 Fax. 1.450.670.7144
 unichel@unicelarchitectural.com
 www.unicelarchitectural.com

DETAILS

Title :

THERM+ H-I 76/80
 DOUBLE WOOD LIFT AND SLIDE DOOR (OVERSIZE)
 UNICEL - TRIPLE GLAZING

DRAWING BY :

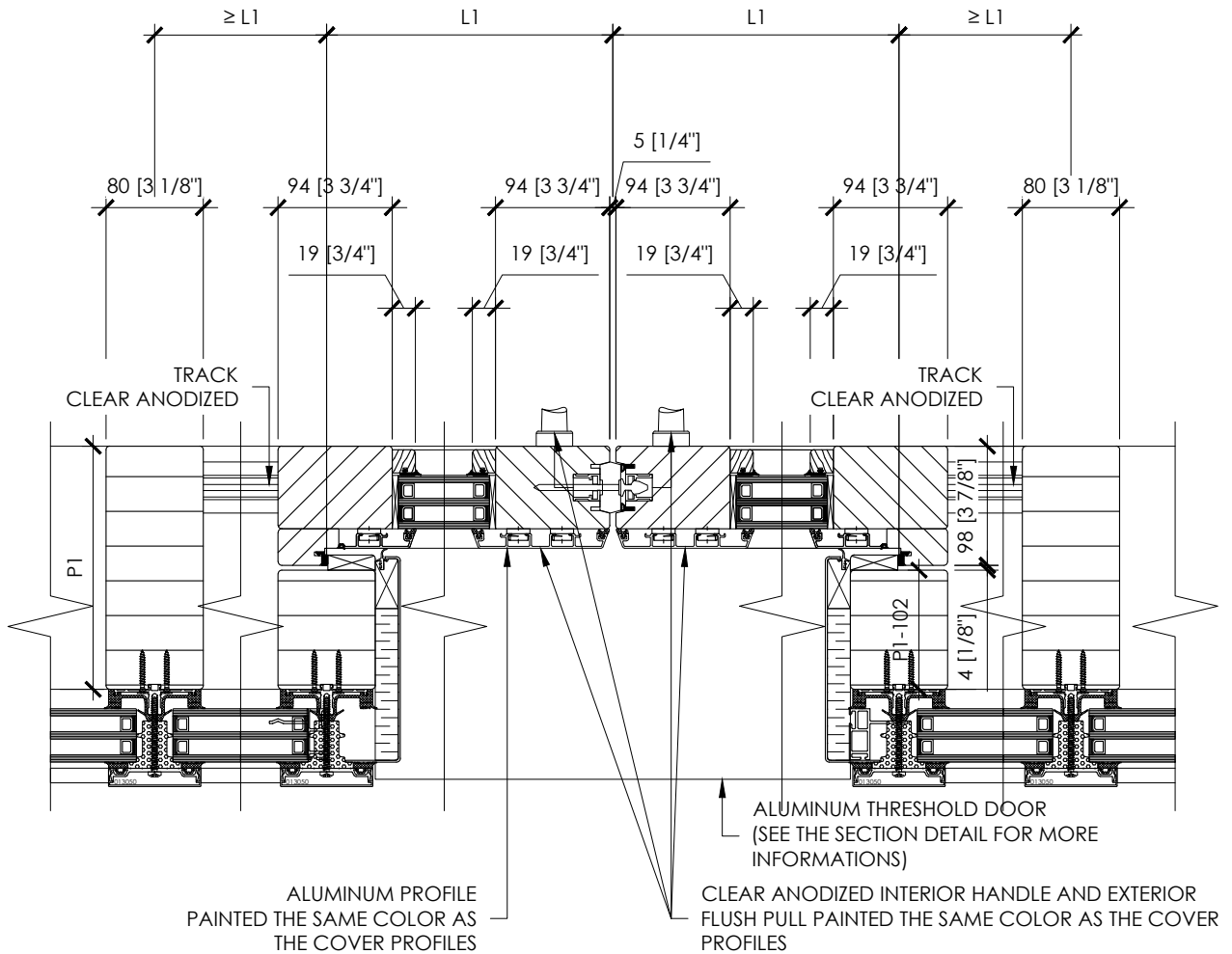
J.PAUL-HUS

Page :

UPDATE :

Nom : J.PAUL-HUS Date : 2021-06-11

5.4.3



PLAN DETAIL



540, Lucien-Thibodeau
 Portneuf, Qc, G0A 2Y0
 Tel. 1.450.670.6844
 Fax. 1.450.670.7144
 unichel@unicelarchitectural.com
 www.unicelarchitectural.com

DETAILS

Title :

THERM+ H-I 76/80
 DOUBLE WOOD LIFT AND SLIDE DOOR (OVERSIZE)
 UNICEL - DOUBLE GLAZING

DRAWING BY :

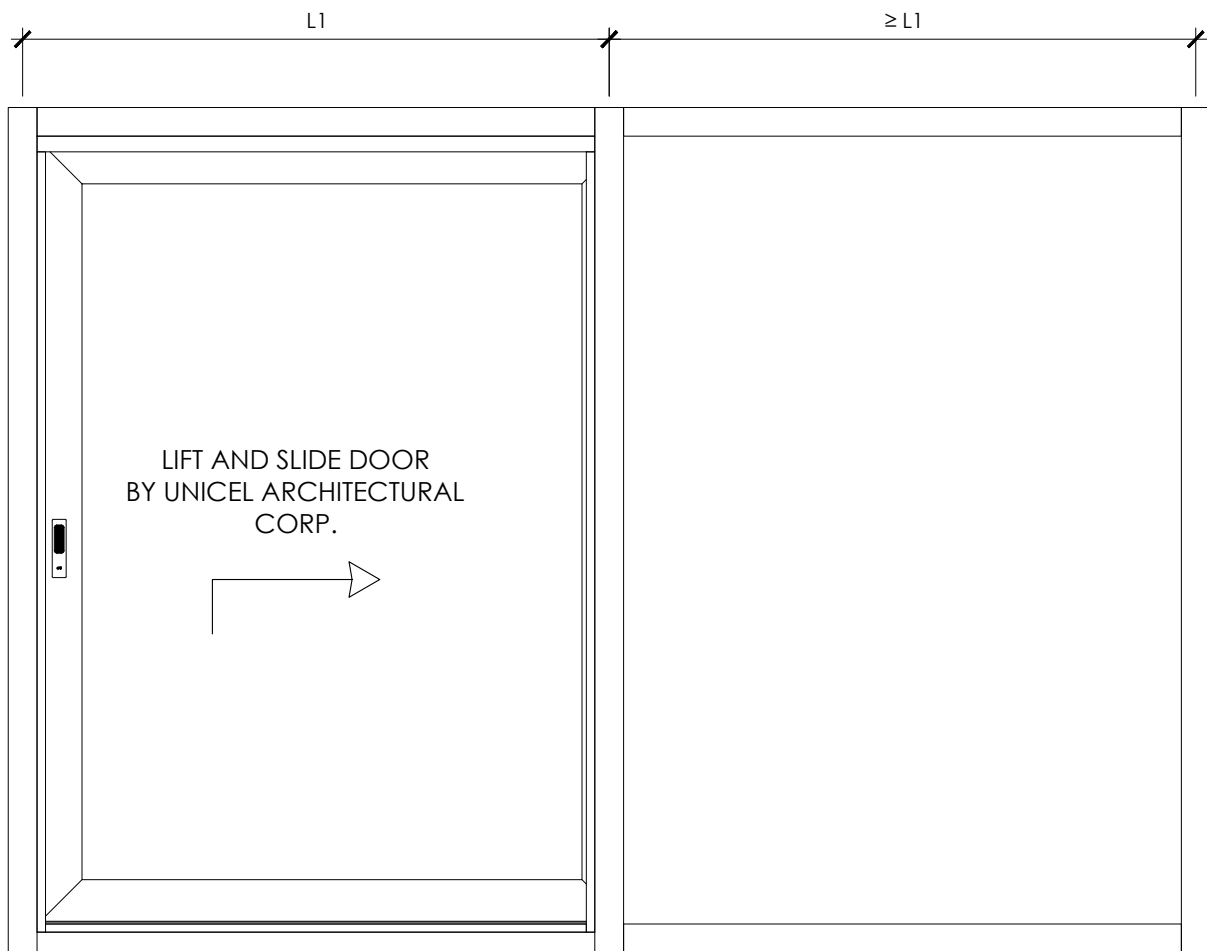
J.PAUL-HUS

UPDATE :

Nom : J.PAUL-HUS Date : 2021-06-11

Page :

5.4.4



SIMPLE LIFT AND SLIDE DOOR ELEVATION
(OVERSIZE)

NOTE: THE MODEL OF WOOD LIFT AND SLIDE DOOR (OVERSIZE) IS ALSO AVAILABLE IN SINGLE FORMAT .



540, Lucien-Thibodeau
Portneuf, Qc, G0A 2Y0
Tel. 1.450.670.6844
Fax. 1.450.670.7144
unicel@unicelarchitectural.com
www.unicelarchitectural.com

DETAILS

Title :

THERM+ H-I 76/80
DOUBLE WOOD LIFT AND SLIDE DOOR (OVERSIZE)
UNICEL - TRIPLE GLAZING

DRAWING BY :

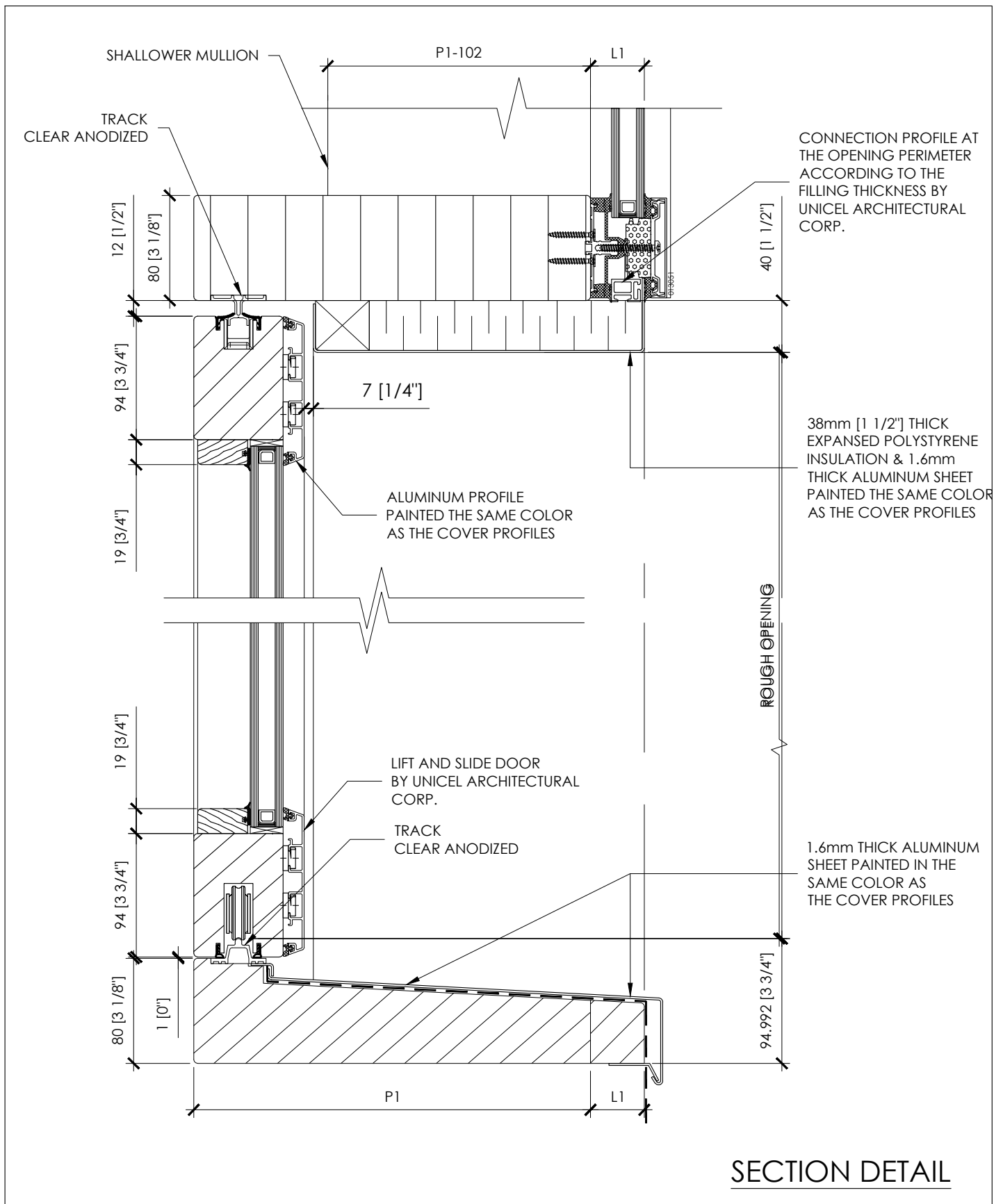
J.PAUL-HUS

UPDATE :

Nom : J.PAUL-HUS Date : 2021-06-11

Page :

5.5



540, Lucien-Thibodeau
 Portneuf, Qc. G0A 2Y0
 Tel. 1.450.670.6844
 Fax. 1.450.670.7144
 unicel@unicelarchitectural.com
 www.unicelarchitectural.com

DETAILS

Title :

THERM+ H-I 76/80
 DOUBLE WOOD LIFT AND SLIDE DOOR (STANDARD)
 UNICEL - DOUBLE GLAZING

DRAWING BY :

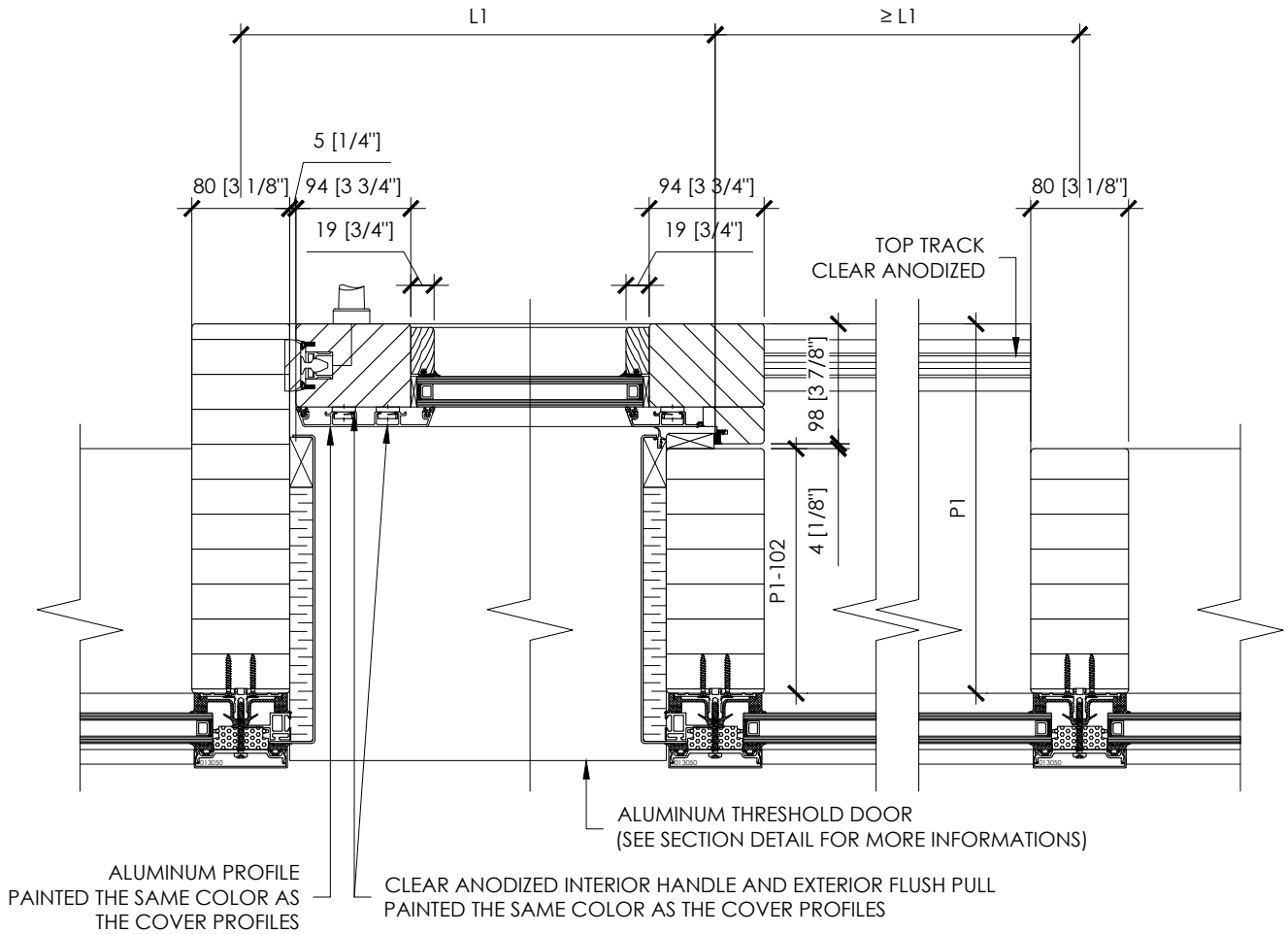
J.PAUL-HUS

Page :

UPDATE :

Nom : J.PAUL-HUS Date : 2021-06-11

5.5.1



PLAN DETAIL



540, Lucien-Thibodeau
 Portneuf, Qc, G0A 2Y0
 Tel. 1.450.670.6844
 Fax. 1.450.670.7144
 unichel@unicelarchitectural.com
 www.unicelarchitectural.com

DETAILS

Title :

THERM+ H-I 76/80
 DOUBLE WOOD LIFT AND SLIDE DOOR (OVERSIZE)
 UNICEL - DOUBLE GLAZING

DRAWING BY :

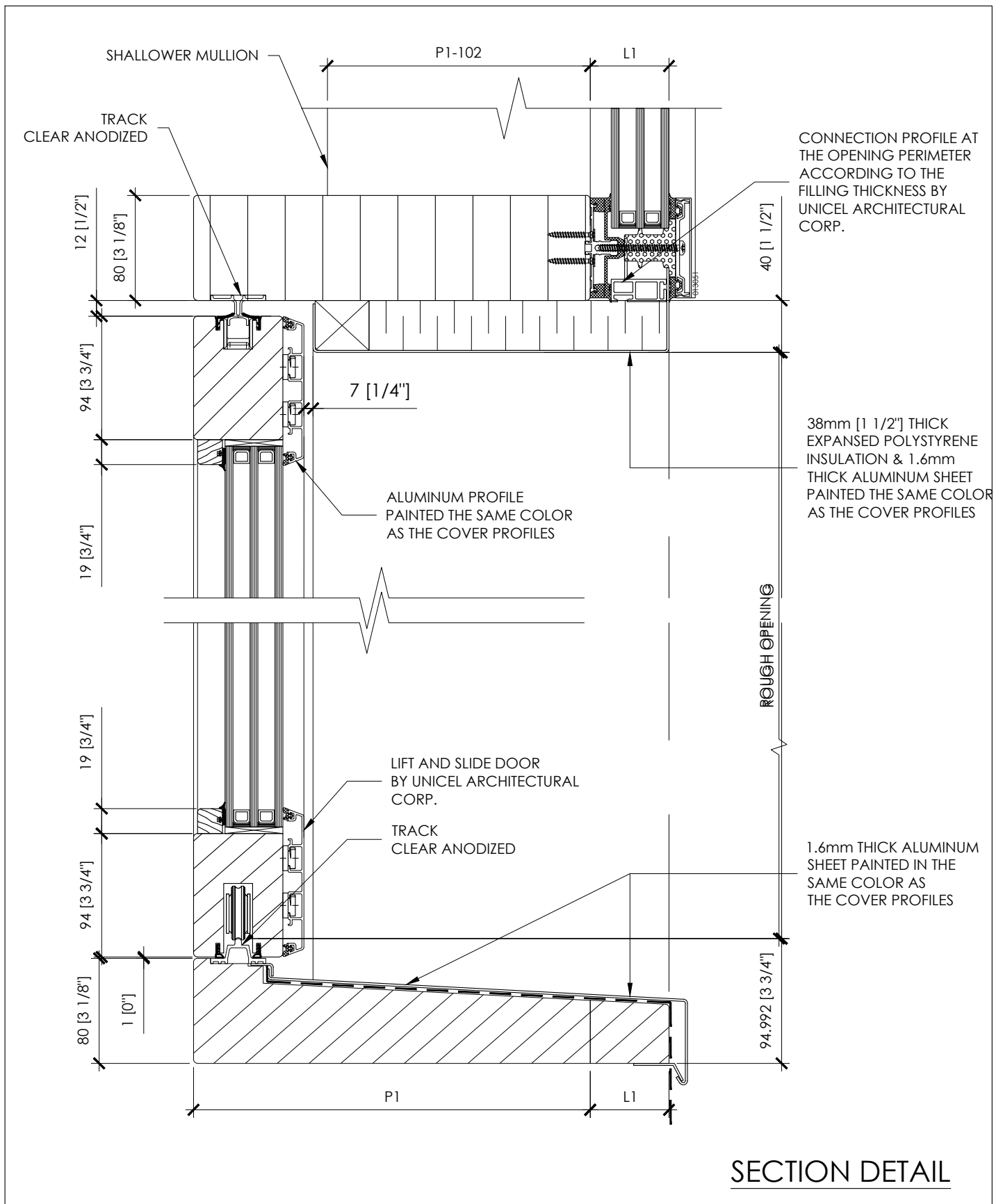
J.PAUL-HUS

UPDATE :

Nom : J.PAUL-HUS Date : 2021-06-11

Page :

5.5.2



540, Lucien-Thibodeau
 Portneuf, Qc. G0A 2Y0
 Tel. 1.450.670.6844
 Fax. 1.450.670.7144
 unichel@unicelarchitectural.com
 www.unicelarchitectural.com

DETAILS

Title :

THERM+ H-I 76/80
 DOUBLE WOOD LIFT AND SLIDE DOOR (OVERSIZE)
 UNICEL - TRIPLE GLAZING

DRAWING BY :

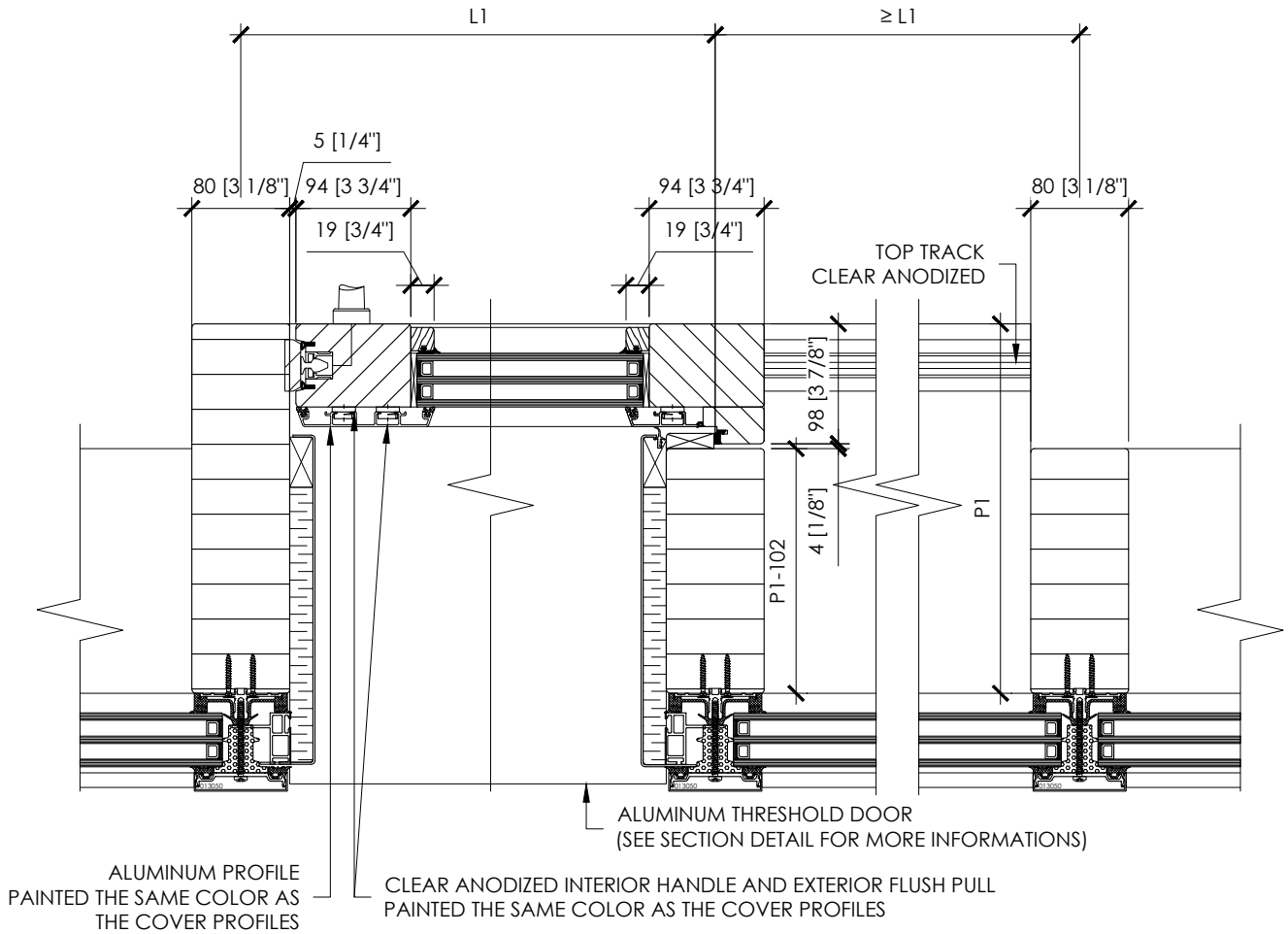
J.PAUL-HUS

Page :

UPDATE :

Nom : J.PAUL-HUS Date : 2021-06-11

5.5.3



PLAN DETAIL



540, Lucien-Thibodeau
 Portneuf, Qc, G0A 2Y0
 Tel. 1.450.670.6844
 Fax. 1.450.670.7144
 unichel@unicelarchitectural.com
 www.unicelarchitectural.com

DETAILS

Title :

THERM+ H-I 76/80
 DOUBLE WOOD LIFT AND SLIDE DOOR (OVERSIZE)
 UNICEL - DOUBLE GLAZING

DRAWING BY :

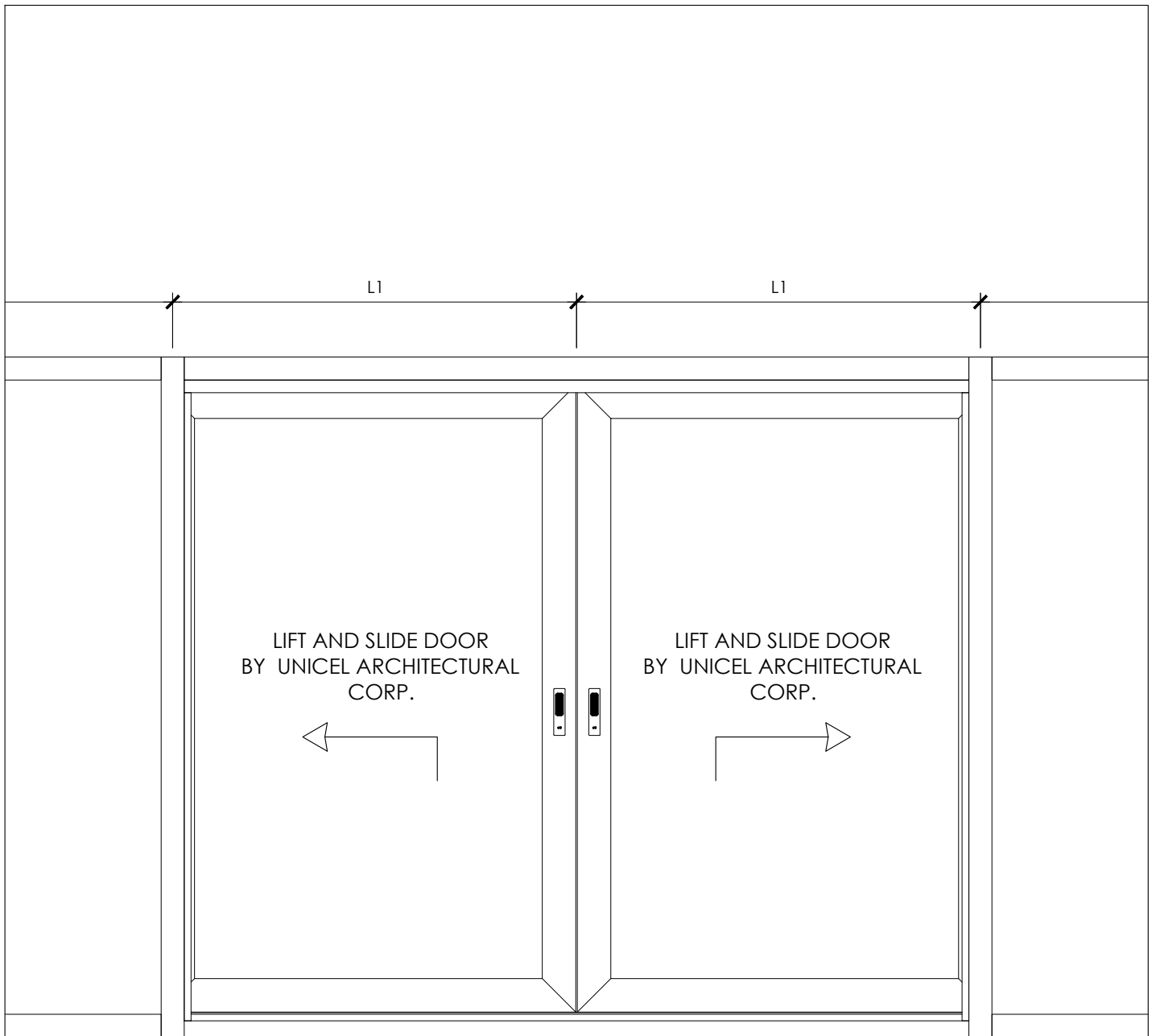
J.PAUL-HUS

UPDATE :

Nom : J.PAUL-HUS Date : 2021-06-11

Page :

5.5.4



DOUBLE LIFT AND SLIDE DOOR ELEVATION
(OVERSIZE)

NOTE: THE MODEL OF WOOD LIFT AND SLIDE DOOR (OVERSIZE) IS ALSO AVAILABLE IN SINGLE FORMAT .



540, Lucien-Thibodeau
Portneuf, Qc, G0A 2Y0
Tel. 1.450.670.6844
Fax. 1.450.670.7144
unicel@unicelarchitectural.com
www.unicelarchitectural.com

DETAILS

Title :

THERM+ H-I 76/80
DOUBLE WOOD LIFT AND SLIDE DOOR (OVERSIZE)
UNICEL - TRIPLE GLAZING

DRAWING BY :

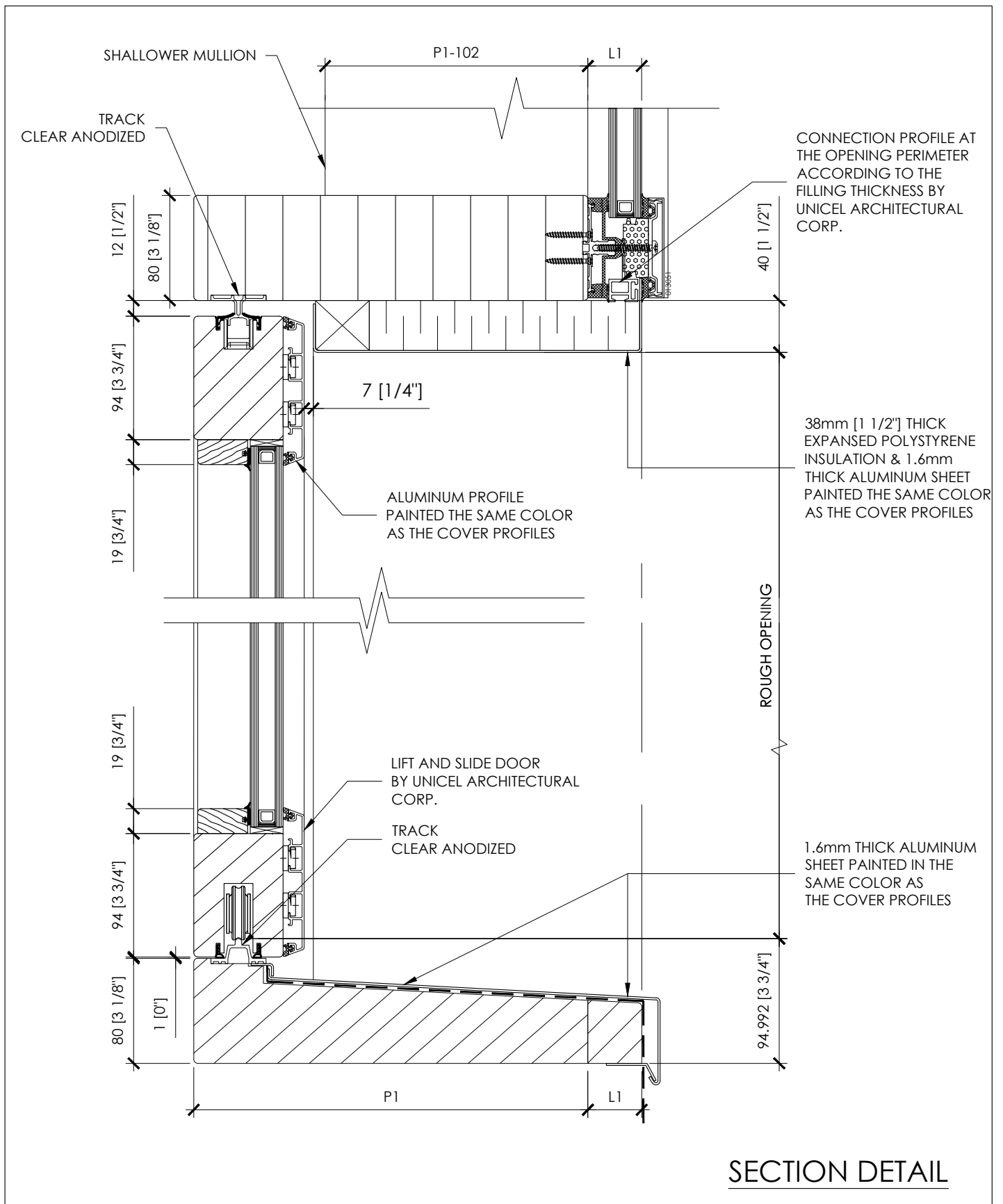
J.PAUL-HUS

UPDATE :

Nom : J.PAUL-HUS Date : 2021-06-11

Page :

5.6



540, Lucien-Thibodeau
 Portneuf, Qc. G0A 2Y0
 Tel. 1.450.670.6844
 Fax. 1.450.670.7144
 unichel@unicelarchitectural.com
 www.unicelarchitectural.com

DETAILS

Title :

THERM+ H-I 76/80
 DOUBLE WOOD LIFT AND SLIDE DOOR (STANDARD)
 UNICEL - DOUBLE GLAZING

DRAWING BY :

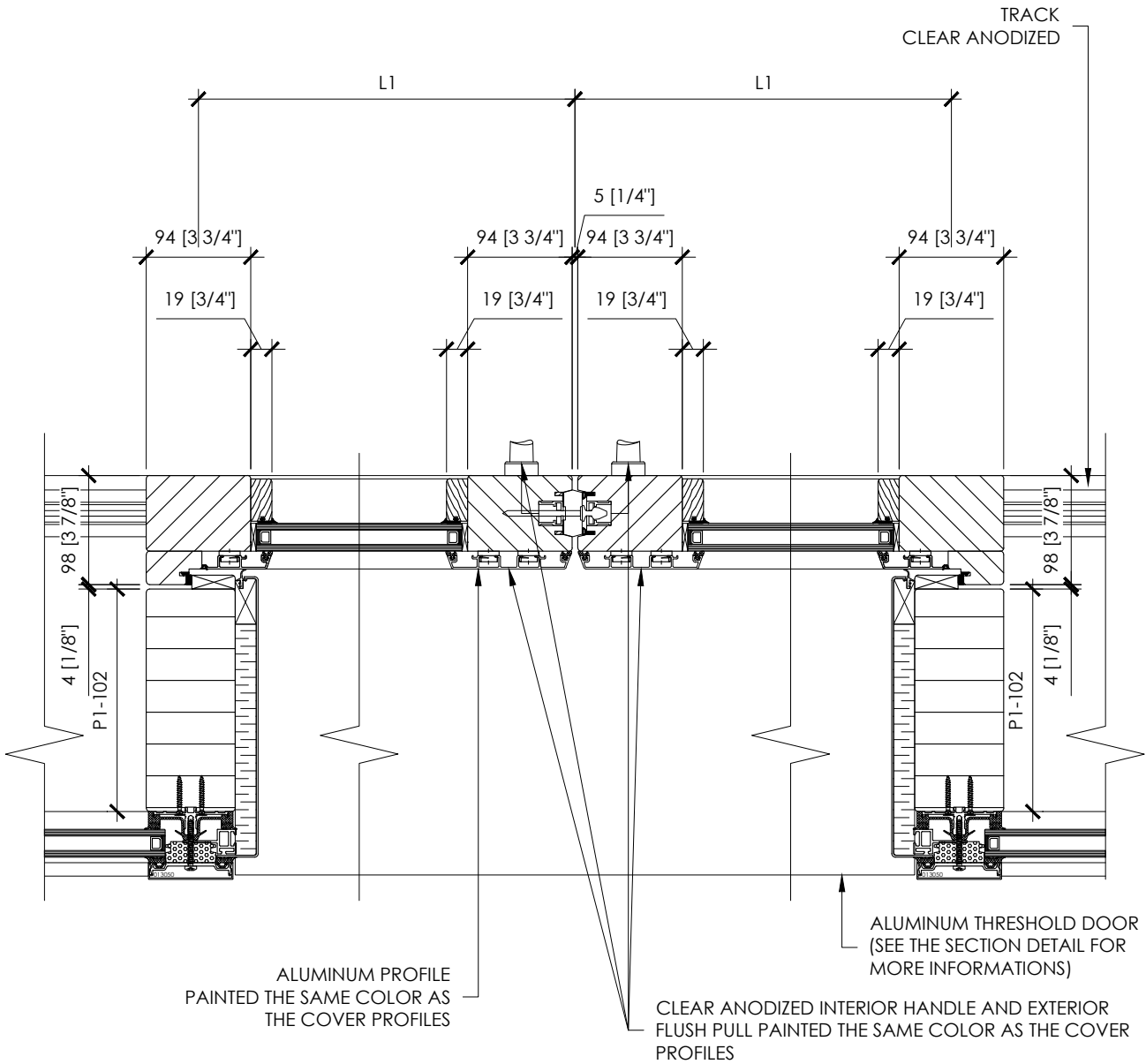
J.PAUL-HUS

UPDATE :

Nom : J.PAUL-HUS Date : 2021-06-11

Page :

5.6.1



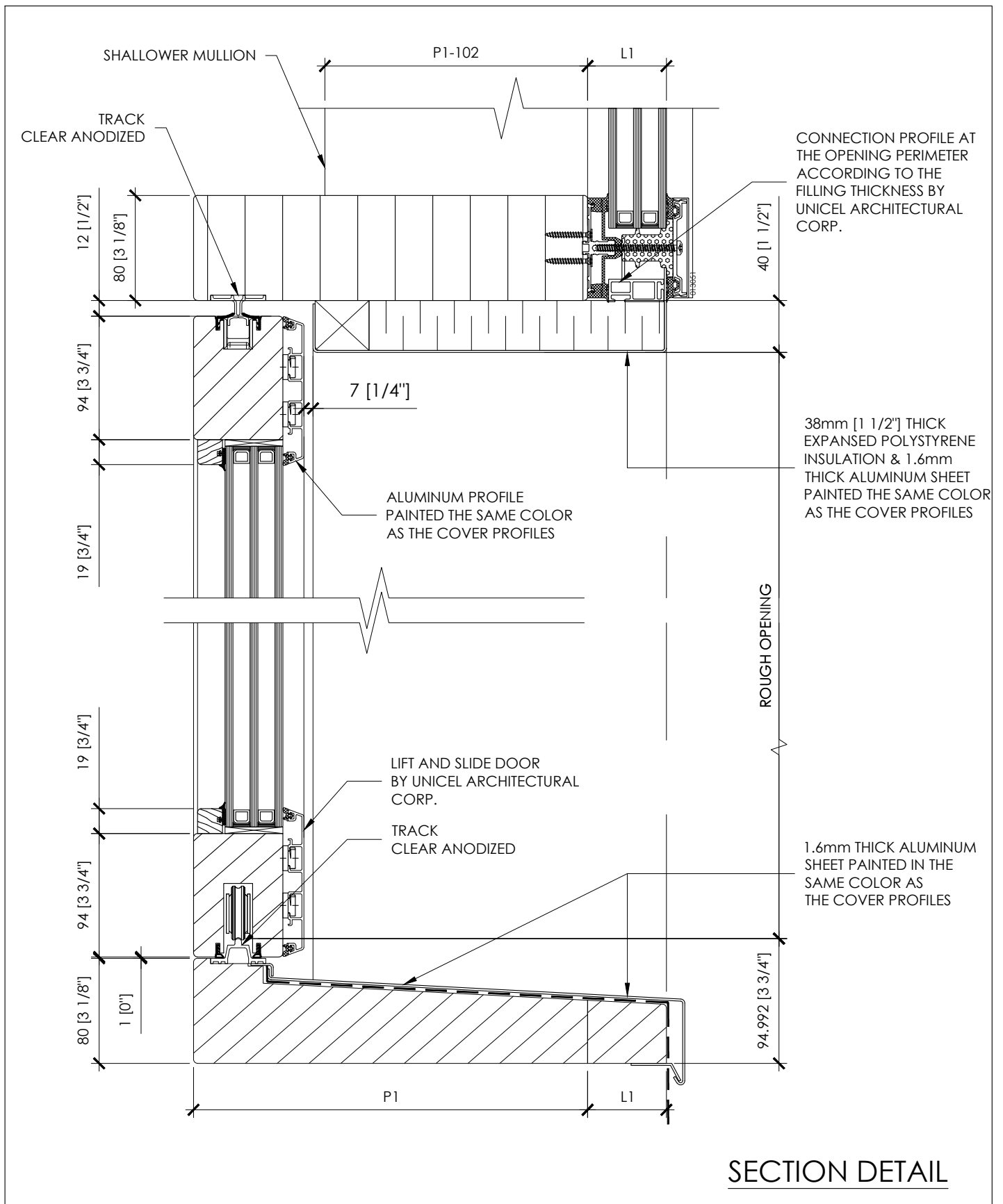
PLAN DETAIL

UNICEL ARCHITECTURAL | Defining the Space Within™
 540, Lucien-Thibodeau
 Portneuf, Qc, G0A 2Y0
 Tel. 1.450.670.6844
 Fax. 1.450.670.7144
 unichel@unicelarchitectural.com
 www.unicelarchitectural.com

DETAILS

Title : THERM+ H-I 76/80 DOUBLE WOOD LIFT AND SLIDE DOOR (OVERSIZE) UNICEL - DOUBLE GLAZING	DRAWING BY : J.PAUL-HUS	Page : 5.6.2
	UPDATE : Nom : J.PAUL-HUS Date : 2021-06-11	

All rights reserved. These drawings are the property of UNICEL ARCHITECTURAL CORP.



540, Lucien-Thibodeau
 Portneuf, Qc. G0A 2Y0
 Tel. 1.450.670.6844
 Fax. 1.450.670.7144
 unichel@unicelarchitectural.com
 www.unicelarchitectural.com

DETAILS

Title :

THERM+ H-I 76/80
 DOUBLE WOOD LIFT AND SLIDE DOOR (OVERSIZE)
 UNICEL - TRIPLE GLAZING

DRAWING BY :

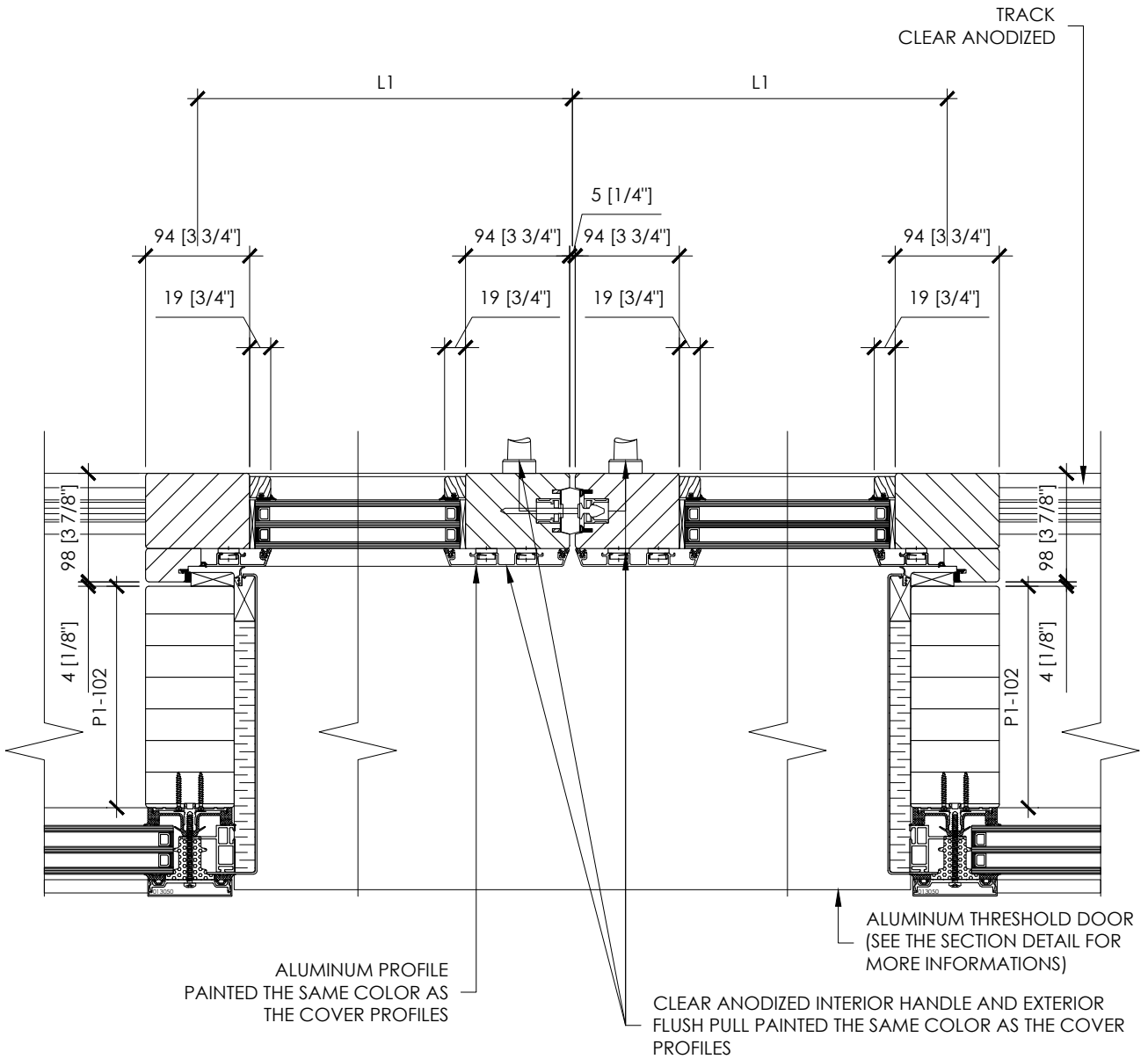
J.PAUL-HUS

UPDATE :

Nom : J.PAUL-HUS Date : 2021-06-11

Page :

5.6.3



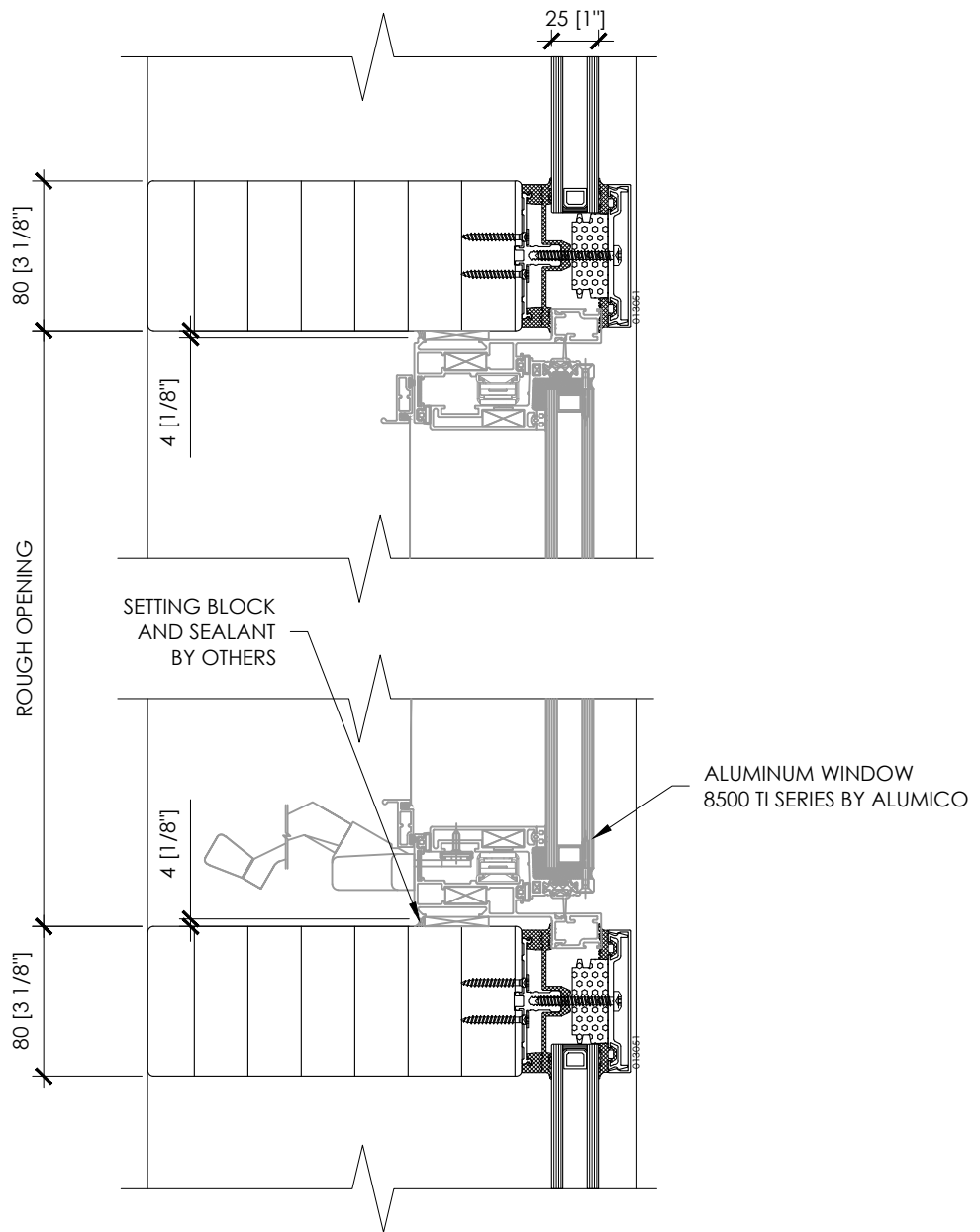
PLAN DETAIL

UNICEL ARCHITECTURAL | Defining the Space Within™
 540, Lucien-Thibodeau
 Portneuf, Qc, G0A 2Y0
 Tel. 1.450.670.6844
 Fax. 1.450.670.7144
 unichel@unicelarchitectural.com
 www.unicelarchitectural.com

DETAILS

Title :	THERM+ H-I 76/80 DOUBLE WOOD LIFT AND SLIDE DOOR (OVERSIZE) UNICEL - DOUBLE GLAZING	DRAWING BY :	Page :
		J.PAUL-HUS	5.6.4
		UPDATE :	
		Nom : J.PAUL-HUS Date : 2021-06-11	

All rights reserved. These drawings are the property of UNICEL ARCHITECTURAL CORP.



SECTION DETAIL



540, Lucien-Thibodeau
 Portneuf, Qc, G0A 2Y0
 Tel. 1.450.670.6844
 Fax. 1.450.670.7144
 unichel@unicelarchitectural.com
 www.unicelarchitectural.com

DETAILS

Title :

THERM+ H-I 76/80

ALUMINUM WINDOW - ALUMICO - DOUBLE GLAZING

DRAWING BY :

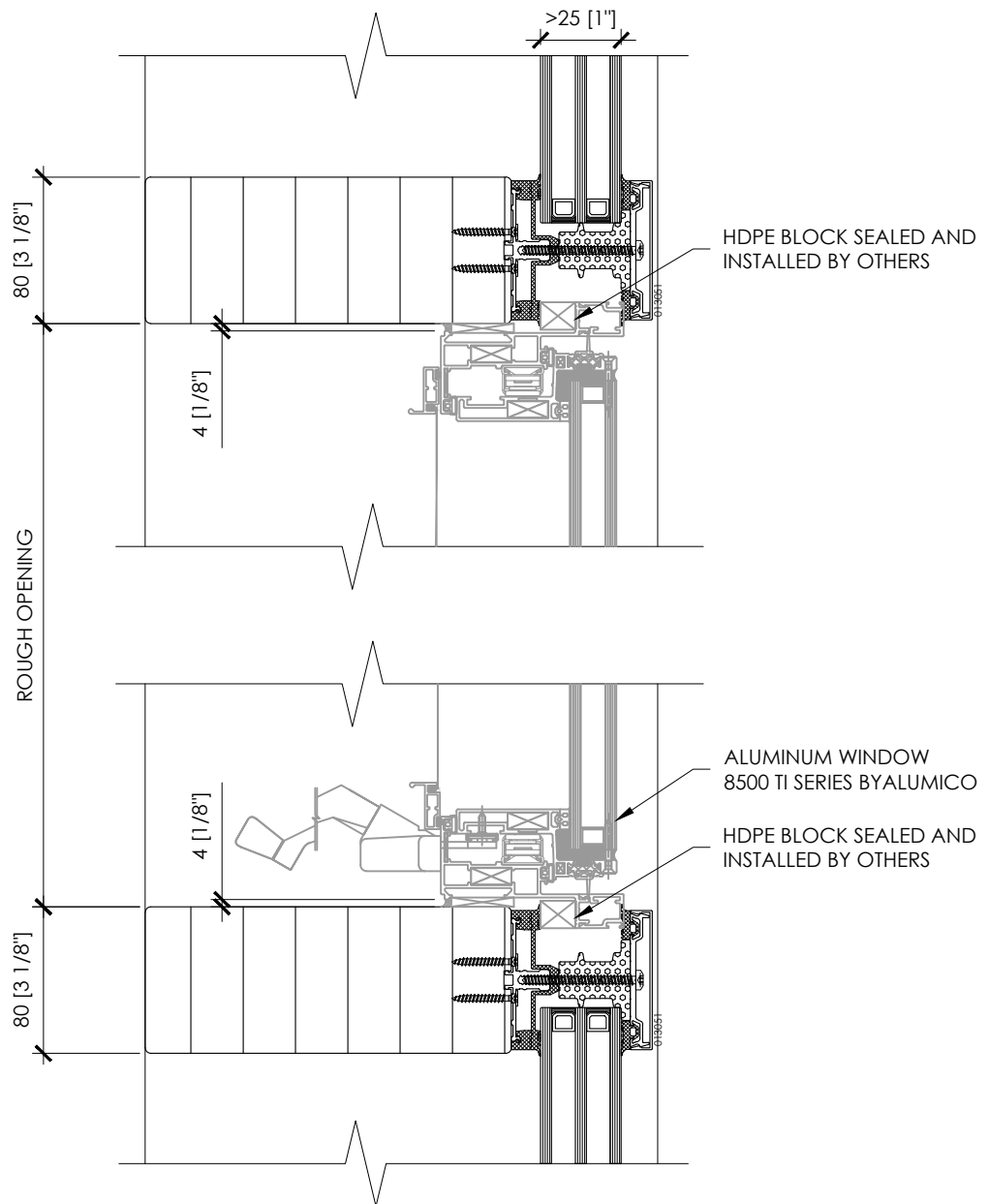
M. LAVOIE

UPDATE :

Nom : J.PAUL-HUS Date : 2021-06-11

Page :

6.1.1



SECTION DETAIL



540, Lucien-Thibodeau
 Portneuf, Qc, G0A 2Y0
 Tel. 1.450.670.6844
 Fax. 1.450.670.7144
 unichel@unicelarchitectural.com
 www.unicelarchitectural.com

DETAILS

Title :

THERM+ H-I 76/80
 ALUMINUM WINDOW - ALUMICO - TRIPLE GLAZING

DRAWING BY :

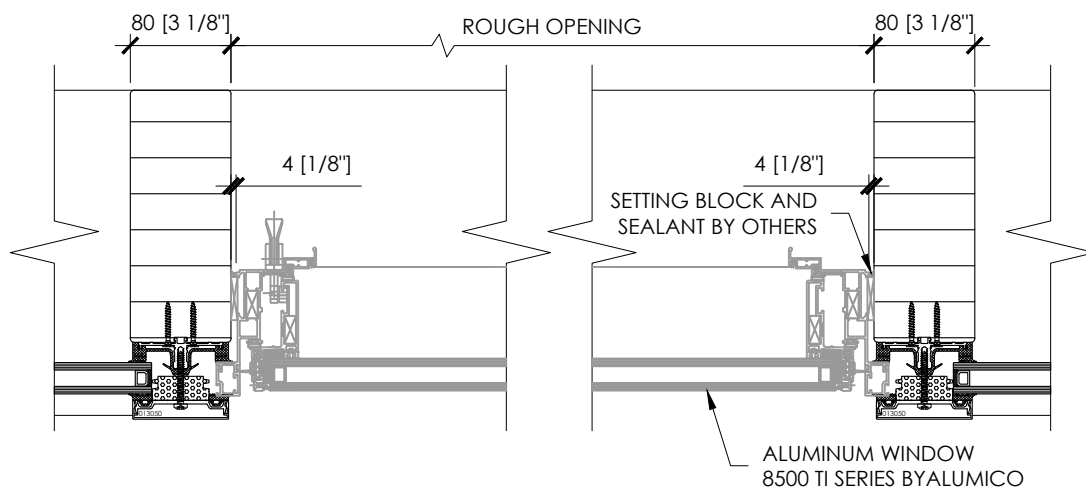
M. LAVOIE

UPDATE :

Nom : J.PAUL-HUS Date : 2021-06-11

Page :

6.1.2



PLAN DETAIL
AVAILABLE WITH TRIPLE GLAZING



540, Lucien-Thibodeau
Portneuf, Qc, G0A 2Y0
Tel. 1.450.670.6844
Fax. 1.450.670.7144
unicel@unicelarchitectural.com
www.unicelarchitectural.com

DETAILS

Title :

THERM+ H-I 76/80
ALUMINUM WINDOW - ALUMICO - DOUBLE GLAZING

DRAWING BY :

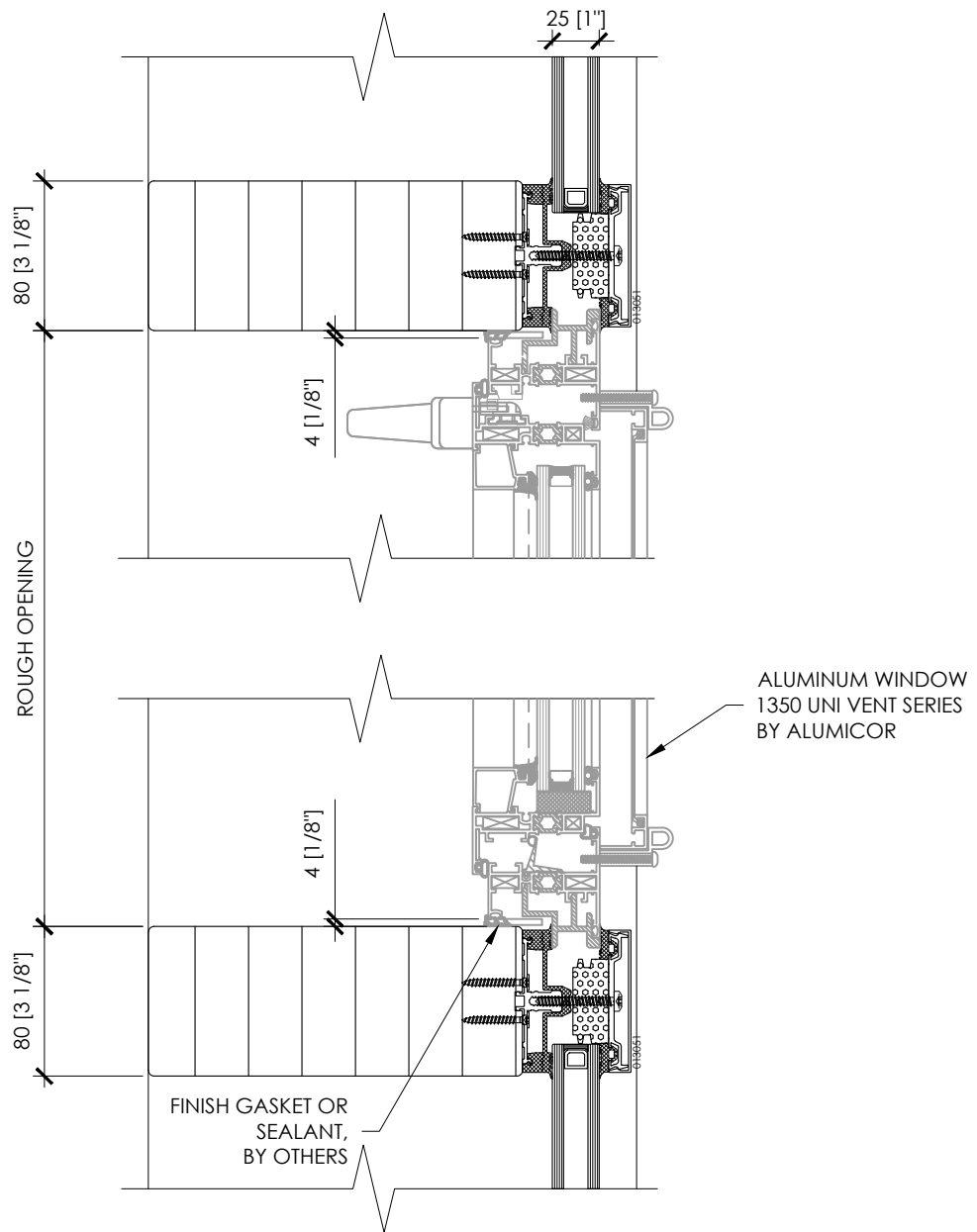
M. LAVOIE

UPDATE :

Nom : J.PAUL-HUS Date : 2021-06-11

Page :

6.1.3



SECTION DETAIL



540, Lucien-Thibodeau
Portneuf, Qc, G0A 2Y0
Tel. 1.450.670.6844
Fax. 1.450.670.7144
unicel@unicelarchitectural.com
www.unicelarchitectural.com

DETAILS

Title :

THERM+ H-I 76/80

ALUMINUM WINDOW - ALUMICOR - DOUBLE GLAZING

DRAWING BY :

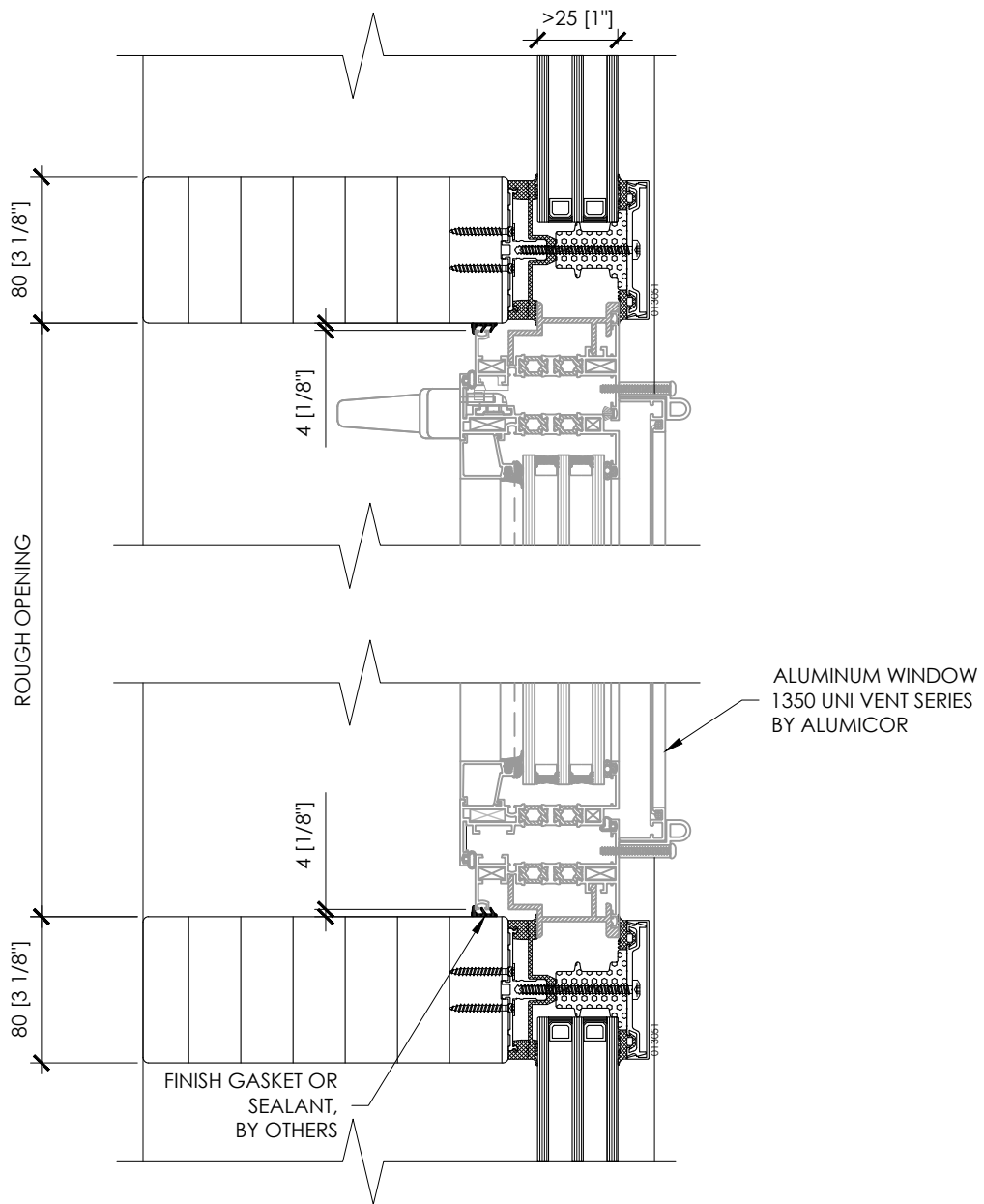
M. LAVOIE

UPDATE :

Nom : J.PAUL-HUS Date : 2021-06-11

Page :

6.2.1



SECTION DETAIL



540, Lucien-Thibodeau
 Portneuf, Qc, G0A 2Y0
 Tel. 1.450.670.6844
 Fax. 1.450.670.7144
 unichel@unicelarchitectural.com
 www.unicelarchitectural.com

DETAILS

Title :

THERM+ H-I 76/80
 ALUMINUM WINDOW - ALUMICOR - TRIPLE GLAZING

DRAWING BY :

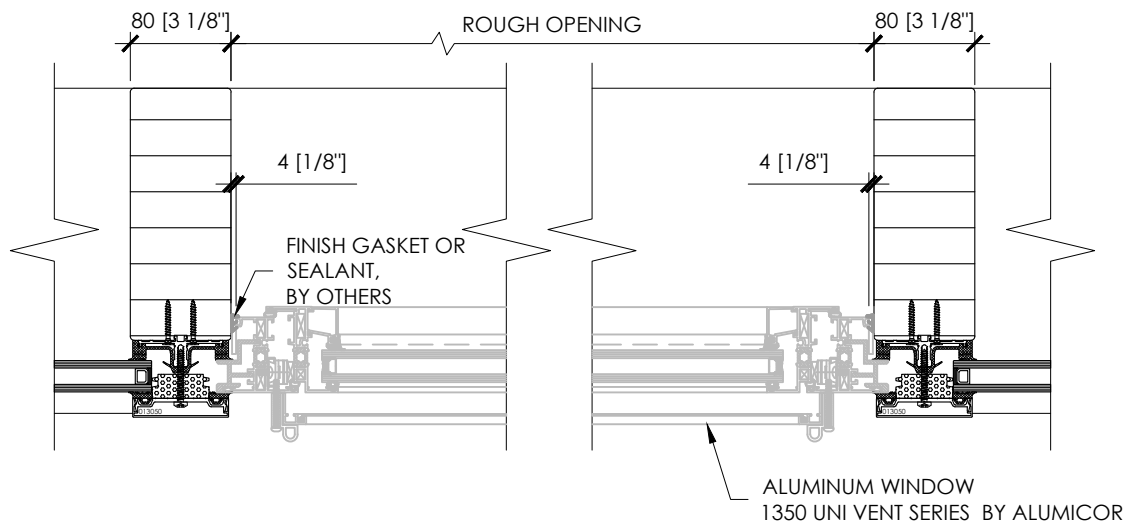
M. LAVOIE

UPDATE :

Nom : J.PAUL-HUS Date : 2021-06-11

Page :

6.2.2



PLAN DETAIL
 AVAILABLE WITH TRIPLE GLAZING



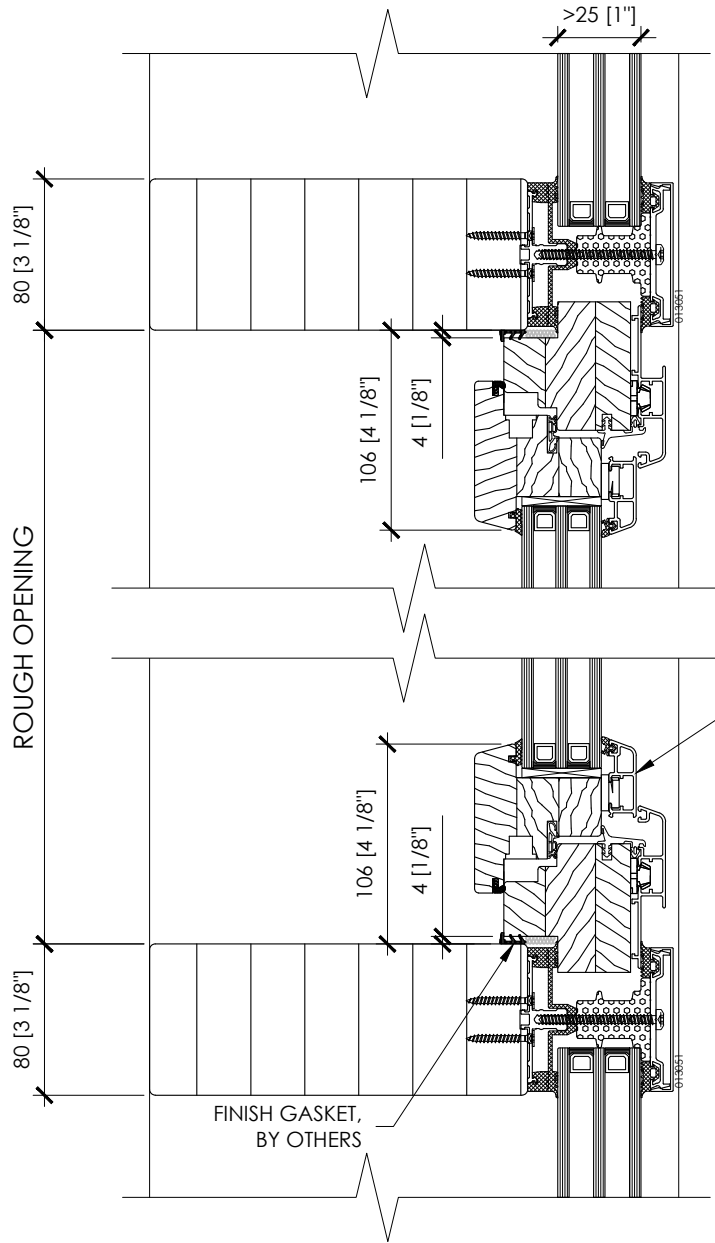
540, Lucien-Thibodeau
 Portneuf, Qc, G0A 2Y0
 Tel. 1.450.670.6844
 Fax. 1.450.670.7144
 unichel@unicelarchitectural.com
 www.unicelarchitectural.com

DETAILS

Title :
THERM+ H-I 76/80
 ALUMINUM WINDOW - ALUMICOR - DOUBLE GLAZING

DRAWING BY :
M. LAVOIE
 UPDATE :
 Nom : J.PAUL-HUS Date : 2021-06-11

Page :
6.2.3



NOTE :
 WOOD : AVAILABLE IN THE SAME SPECIES AS UNICEL ARCHITECTURAL CORP. TIMBER CURTAIN WALLS.
 GLASS : AVAILABLE WITH DOUBLE GLAZING.
 ALUMINIUM : COLOR PER SPECS

WOOD WINDOW WITH ALUMINIUM CLADDING BY LEMBERC
 OPENING TYPE : TILT AND INTERIOR HOPPER WINDOW

SECTION DETAIL



540, Lucien-Thibodeau
 Portneuf, Qc. G0A 2Y0
 Tel. 1.450.670.6844
 Fax. 1.450.670.7144
 unichel@unicelarchitectural.com
 www.unicelarchitectural.com

DETAILS

Title :

THERM+ H-I 76/80
 WOOD WINDOW - LEMBERC - TRIPLE GLAZING

DRAWING BY :

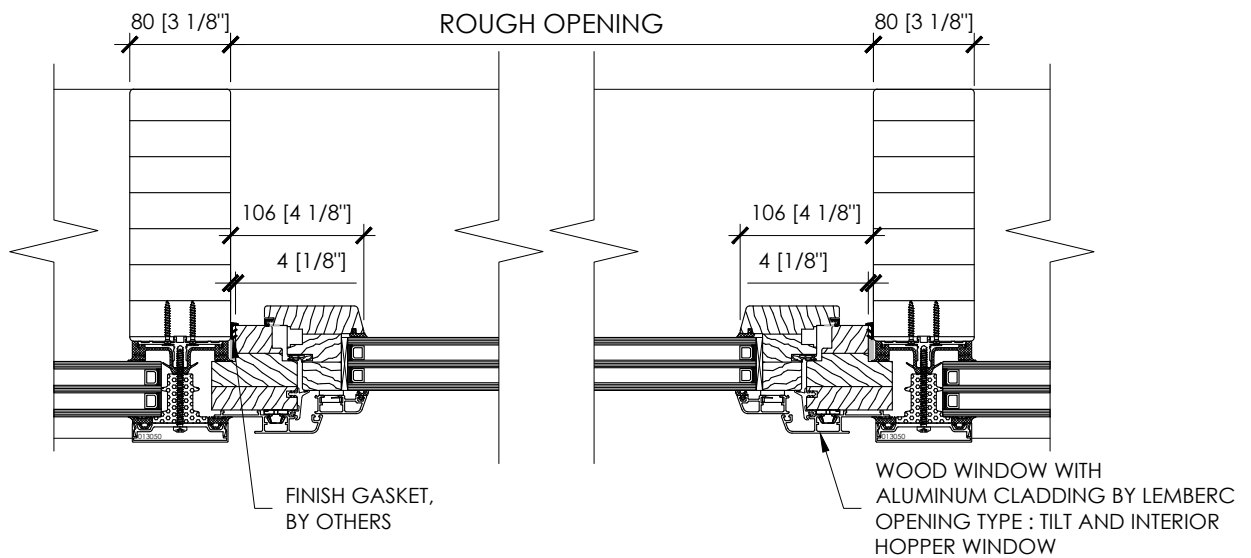
M. LAVOIE

UPDATE :

Nom : J.PAUL-HUS Date : 2021-06-11

Page :

6.3.1



PLAN DETAIL

AVAILABLE WITH TRIPLE GLASS

NOTE :

WOOD : AVAILABLE IN THE SAME SPECIES AS UNICEL ARCHITECTURAL CORP. TIMBER CURTAIN WALLS.
GLASS : AVAILABLE WITH DOUBLE GLAZING
ALUMINUM : COLOR PER SPECS



540, Lucien-Thibodeau
Portneuf, Qc, G0A 2Y0
Tel. 1.450.670.6844
Fax. 1.450.670.7144
unicel@unicelarchitectural.com
www.unicelarchitectural.com

DETAILS

Title :

THERM+ H-I 76/80
WOOD WINDOW - LEMBERC - TRIPLE GLAZING

DRAWING BY :

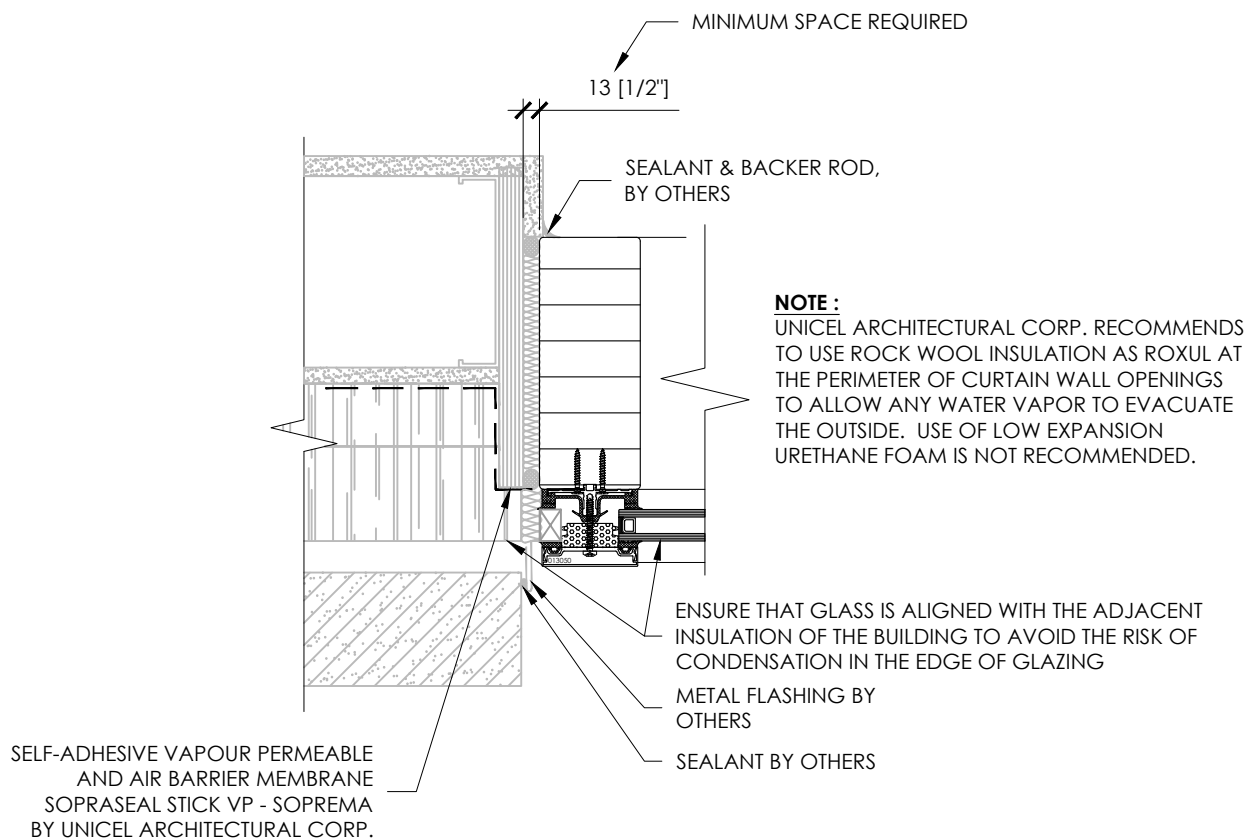
M. LAVOIE

UPDATE :

Nom : J.PAUL-HUS Date : 2021-06-11

Page :

6.3.2



DETAIL OF JUNCTION WITH MASONRY & STUDS



540, Lucien-Thibodeau
 Portneuf, Qc, G0A 2Y0
 Tel. 1.450.670.6844
 Fax. 1.450.670.7144
 unichel@unicelarchitectural.com
 www.unicelarchitectural.com

DETAILS

Title :
THERM+ H-I - APPLICATIONS
 JUNCTION WITH MASONRY

DRAWING BY :
M. LAVOIE

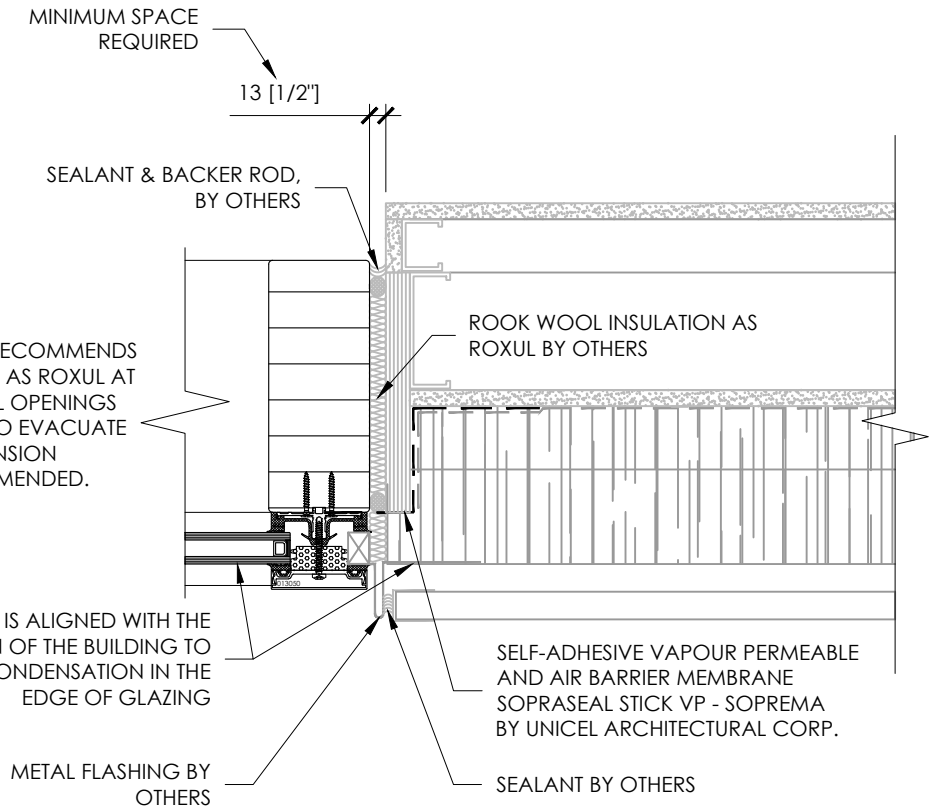
UPDATE :
 Nom : J.PAUL-HUS Date : 2021-06-11

Page :

7.1.1

NOTE :
 UNICEL ARCHITECTURAL CORP. RECOMMENDS TO USE ROCK WOOL INSULATION AS ROXUL AT THE PERIMETER OF CURTAIN WALL OPENINGS TO ALLOW ANY WATER VAPOR TO EVACUATE THE OUTSIDE. USE OF LOW EXPANSION URETHANE FOAM IS NOT RECOMMENDED.

ENSURE THAT GLASS IS ALIGNED WITH THE ADJACENT INSULATION OF THE BUILDING TO AVOID THE RISK OF CONDENSATION IN THE EDGE OF GLAZING



DETAIL OF JUNCTION WITH SIDING & STUDS



540, Lucien-Thibodeau
 Portneuf, Qc, G0A 2Y0
 Tel. 1.450.670.6844
 Fax. 1.450.670.7144
 unichel@unicelarchitectural.com
 www.unicelarchitectural.com

DETAILS

Title :
THERM+ H-I - APPLICATIONS
 JUNCTION WITH SIDING

DRAWING BY :
 M. LAVOIE

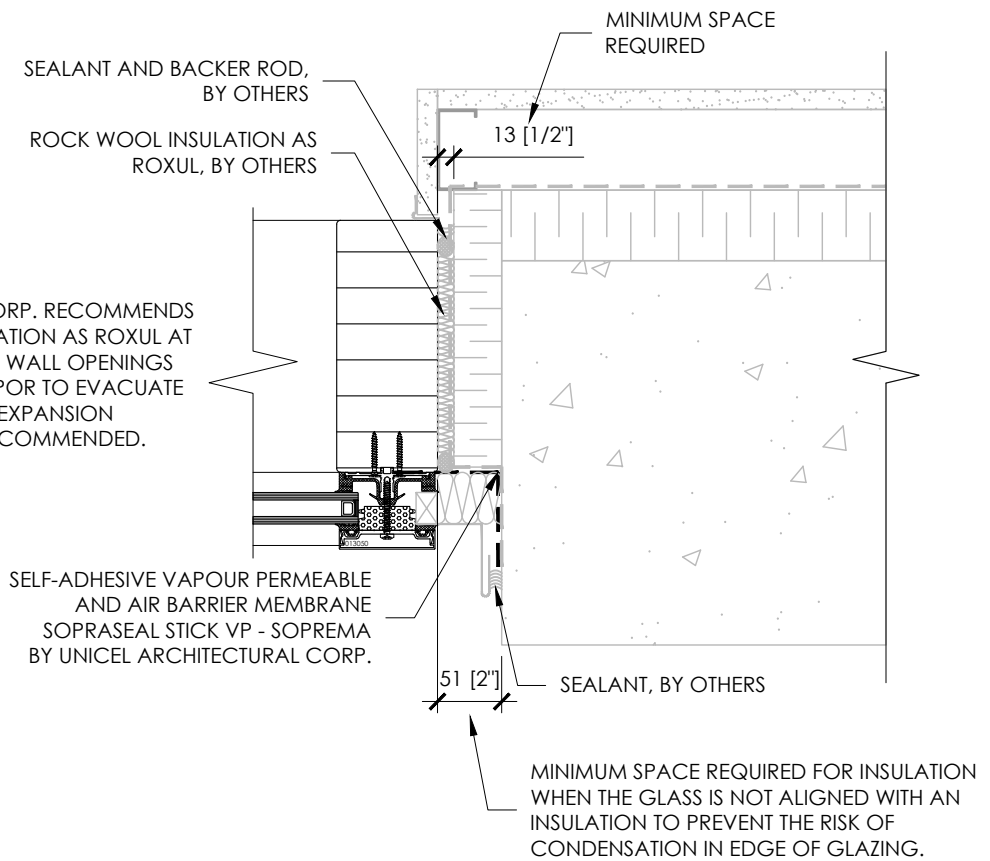
UPDATE :
 Nom : J.PAUL-HUS Date : 2021-06-11

Page :

7.1.2

NOTE :

UNICEL ARCHITECTURAL CORP. RECOMMENDS TO USE ROCK WOOL INSULATION AS ROXUL AT THE PERIMETER OF CURTAIN WALL OPENINGS TO ALLOW ANY WATER VAPOR TO EVACUATE THE OUTSIDE. USE OF LOW EXPANSION URETHANE FOAM IS NOT RECOMMENDED.



DETAIL OF JUNCTION MULLION & CONCRETE WALL



540, Lucien-Thibodeau
Portneuf, Qc, G0A 2Y0
Tel. 1.450.670.6844
Fax. 1.450.670.7144
unicel@unicelarchitectural.com
www.unicelarchitectural.com

DETAILS

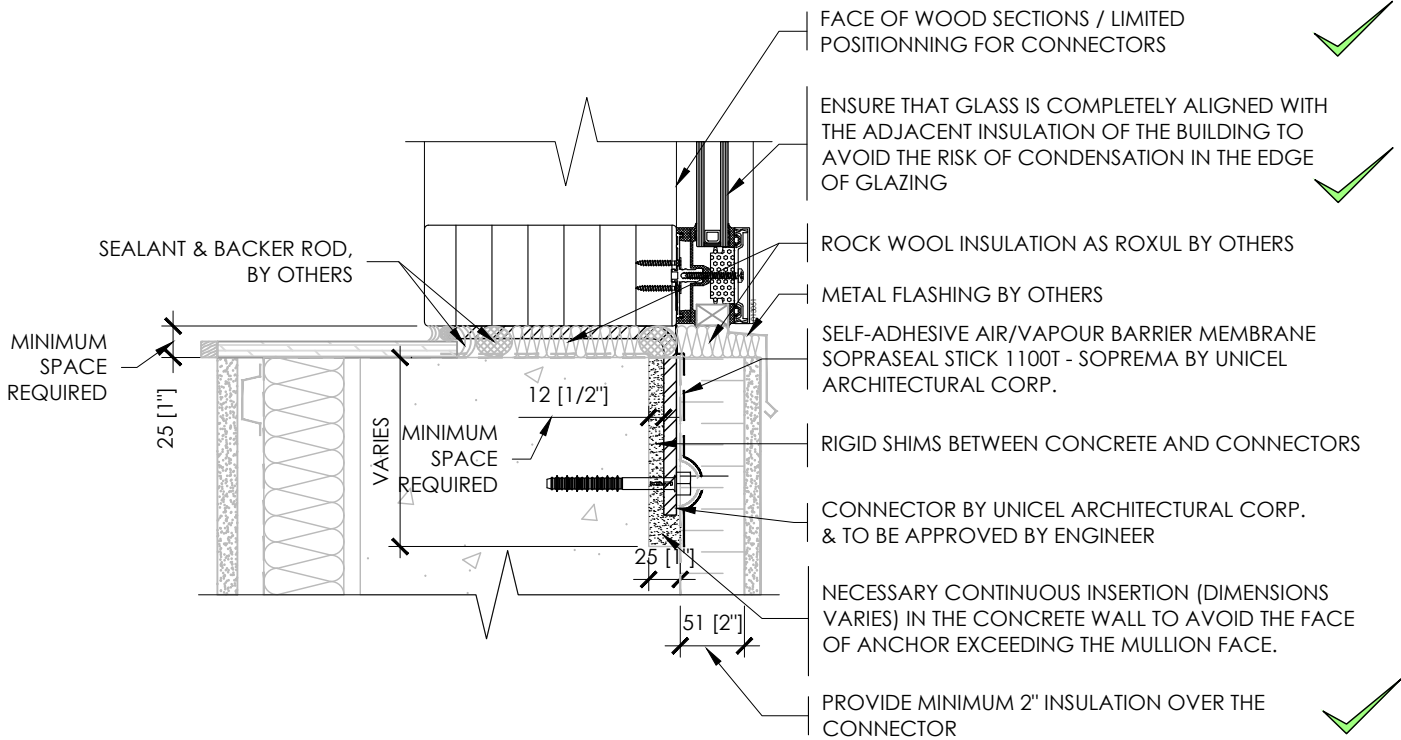
Title :
THERM+ H-I - APPLICATIONS
JUNCTION WITH CONCRETE WALL

DRAWING BY :
M. LAVOIE

UPDATE :
Nom : J.PAUL-HUS Date : 2021-06-11

Page :

7.1.3



DETAIL OF CONCRETE WALL WITH CONNECTOR INSERTION

3 CONDITIONS TO BE FOLLOWED:

1. THE GLASS (FACE 1 INCLUDED) MUST BE COMPLETELY ALIGNED WITH THE ADJACENT INSULATION OF THE BUILDING;
2. CONNECTOR MUST NOT EXCEED THE FRONT FACE OF THE WOOD MULLION;
3. MINIMUM OF 2" THICK INSULATION IN FRONT OF THE CONNECTORS;



540, Lucien-Thibodeau
Portneuf, Qc, G0A 2Y0
Tel. 1.450.670.6844
Fax. 1.450.670.7144
unicel@unicelarchitectural.com
www.unicelarchitectural.com

DETAILS

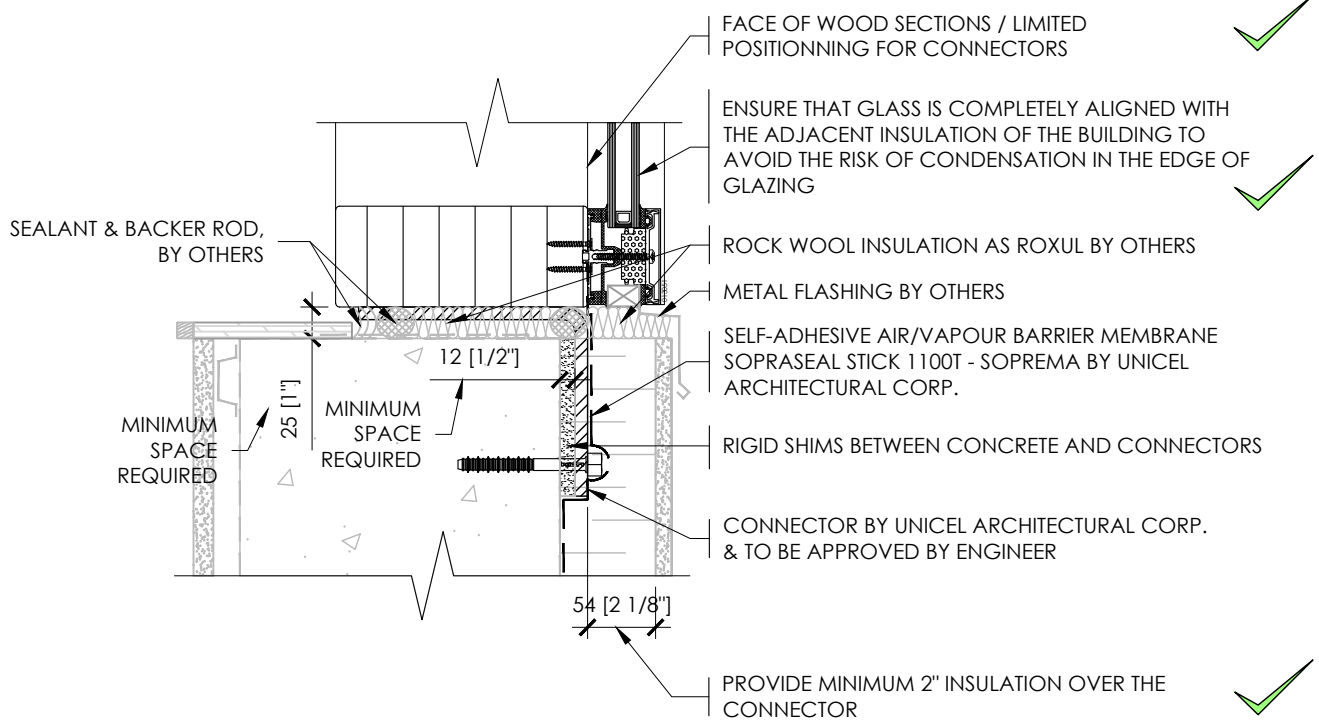
Title :
THERM+ H-I - APPLICATIONS
EXTERIOR CONNECTOR WITH INSERTION IN CONCRETE

DRAWING BY :
M. LAVOIE

UPDATE :
Nom : J.PAUL-HUS Date : 2021-06-11

Page :

7.1.4



DETAIL OF CONCRETE WALL WITHOUT CONNECTOR INSERTION & 3" THICK EXTERIOR INSULATION.

3 CONDITIONS TO BE FOLLOWED:

1. THE GLASS (FACE 1 INCLUDED) MUST BE COMPLETELY ALIGNED WITH THE ADJACENT INSULATION OF THE BUILDING;
2. CONNECTOR MUST NOT EXCEED THE FRONT FACE OF THE WOOD MULLION;
3. MINIMUM OF 2" THICK INSULATION IN FRONT OF THE CONNECTORS;



540, Lucien-Thibodeau
Portneuf, Qc, G0A 2Y0
Tel. 1.450.670.6844
Fax. 1.450.670.7144
unicel@unicelarchitectural.com
www.unicelarchitectural.com

DETAILS

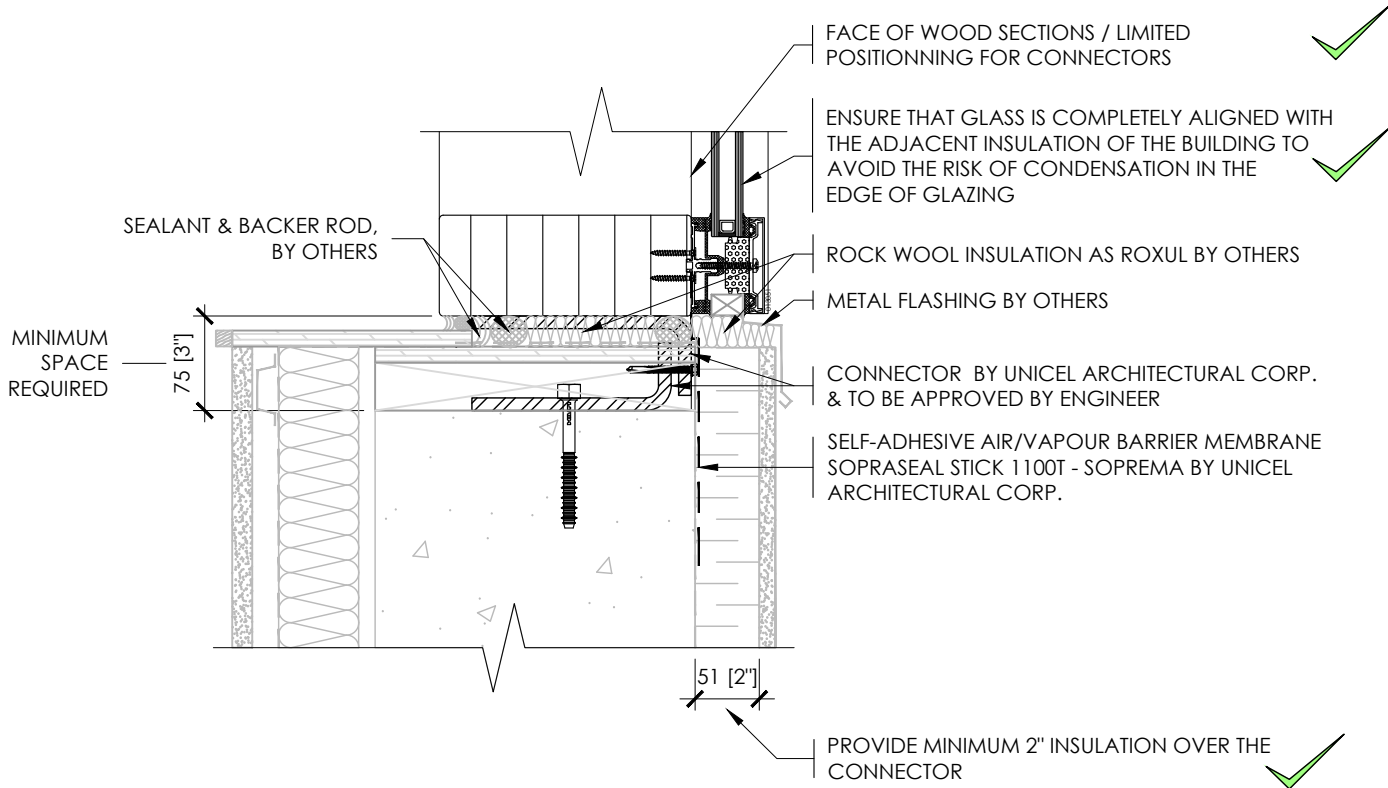
Title :
THERM+ H-I - APPLICATIONS
EXTERIOR CONNECTOR WITHOUT INSERTION IN CONCRETE

DRAWING BY :
M. LAVOIE

UPDATE :
Nom : J.PAUL-HUS Date : 2021-06-11

Page :

7.1.5



DETAIL OF CONCRETE WALL WITHOUT CONNECTOR INSERTION & 2" THICK EXTERIOR INSULATION

- 3 CONDITIONS TO BE FOLLOWED:**
1. THE GLASS (FACE 1 INCLUDED) MUST BE COMPLETELY ALIGNED WITH THE ADJACENT INSULATION OF THE BUILDING;
 2. CONNECTOR MUST NOT EXCEED THE FRONT FACE OF THE WOOD MULLION;
 3. MINIMUM OF 2" THICK INSULATION IN FRONT OF THE CONNECTORS;



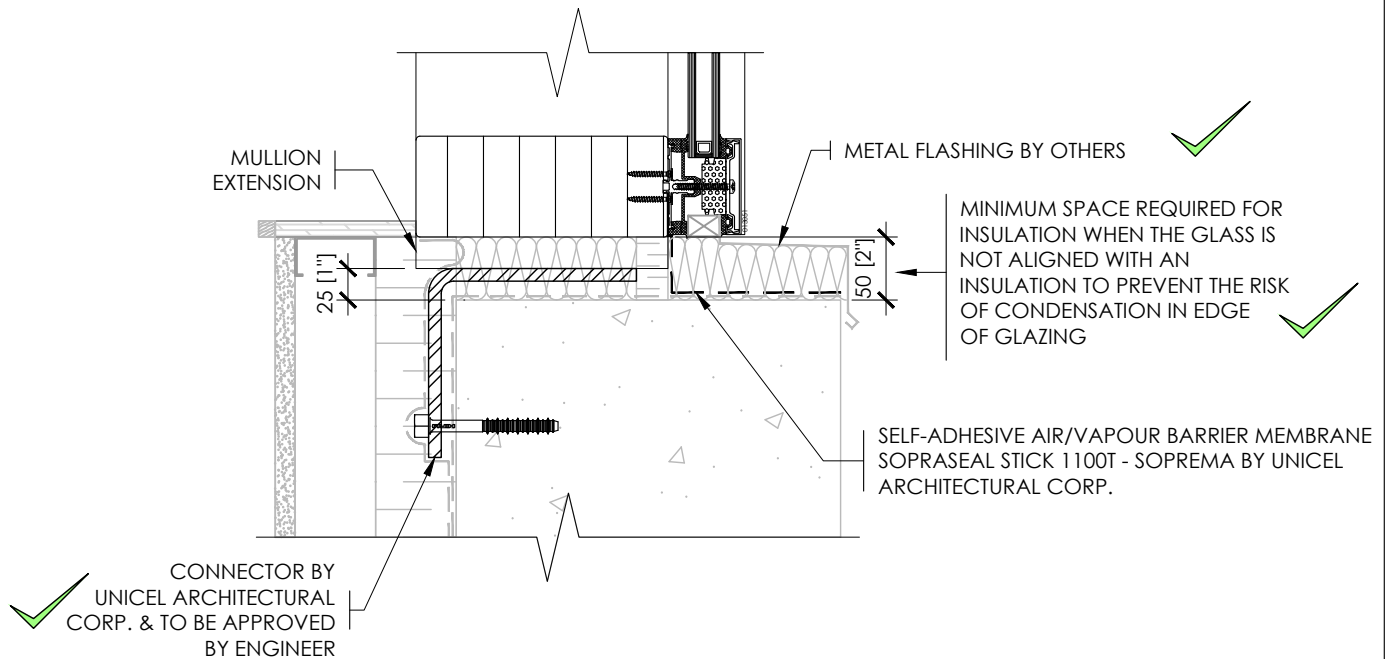
540, Lucien-Thibodeau
 Portneuf, Qc. G0A 2Y0
 Tel. 1.450.670.6844
 Fax. 1.450.670.7144
 unichel@unicelarchitectural.com
 www.unicelarchitectural.com

DETAILS

Title :
THERM+ H-I - APPLICATIONS
 DOUBLE CONNECTOR

DRAWING BY :
M. LAVOIE
 UPDATE :
 Nom : J.PAUL-HUS Date : 2021-06-11

Page :
7.1.6



DETAIL OF CONCRETE CURTAIN WALL WITH INTERIOR INSULATION ONLY

3 CONDITIONS TO BE FOLLOWED:

1. THE GLASS (FACE 1 INCLUDED) MUST BE COMPLETELY ALIGNED WITH THE ADJACENT INSULATION OF THE BUILDING;
2. CONNECTOR MUST NOT EXCEED THE FRONT FACE OF THE WOOD MULLION;
3. MINIMUM OF 2" THICK INSULATION IN FRONT OF THE CONNECTORS;



540, Lucien-Thibodeau
Portneuf, Qc, G0A 2Y0
Tel. 1.450.670.6844
Fax. 1.450.670.7144
unicel@unicelarchitectural.com
www.unicelarchitectural.com

DETAILS

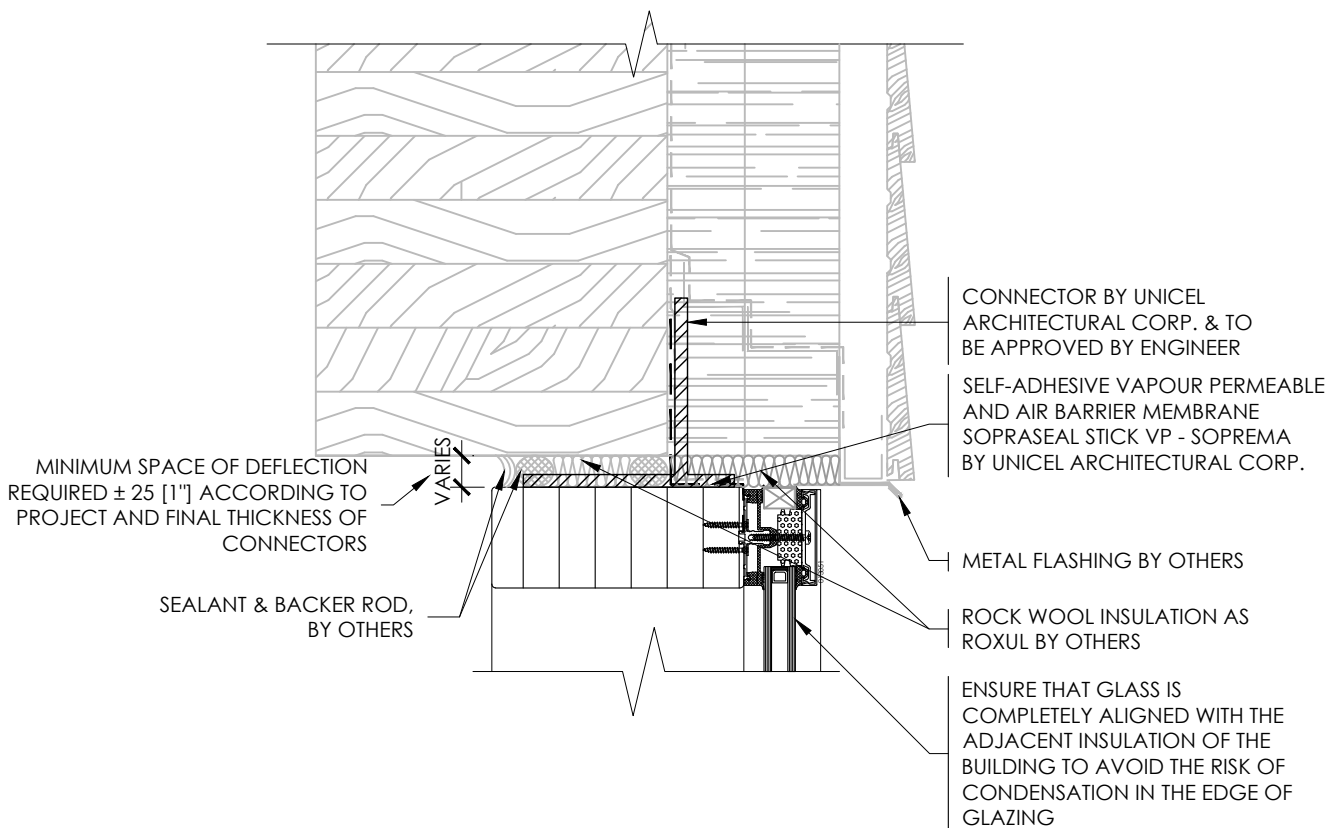
Title :
THERM+ H-I - APPLICATIONS
INTERIOR CONNECTOR

DRAWING BY :
M. LAVOIE

UPDATE :
Nom : J.PAUL-HUS Date : 2021-06-11

Page :

7.1.7



WOOD STRUCTURE DETAIL & CURTAIN WALL



540, Lucien-Thibodeau
Portneuf, Qc, G0A 2Y0
Tel. 1.450.670.6844
Fax. 1.450.670.7144
unicel@unicelarchitectural.com
www.unicelarchitectural.com

DETAILS

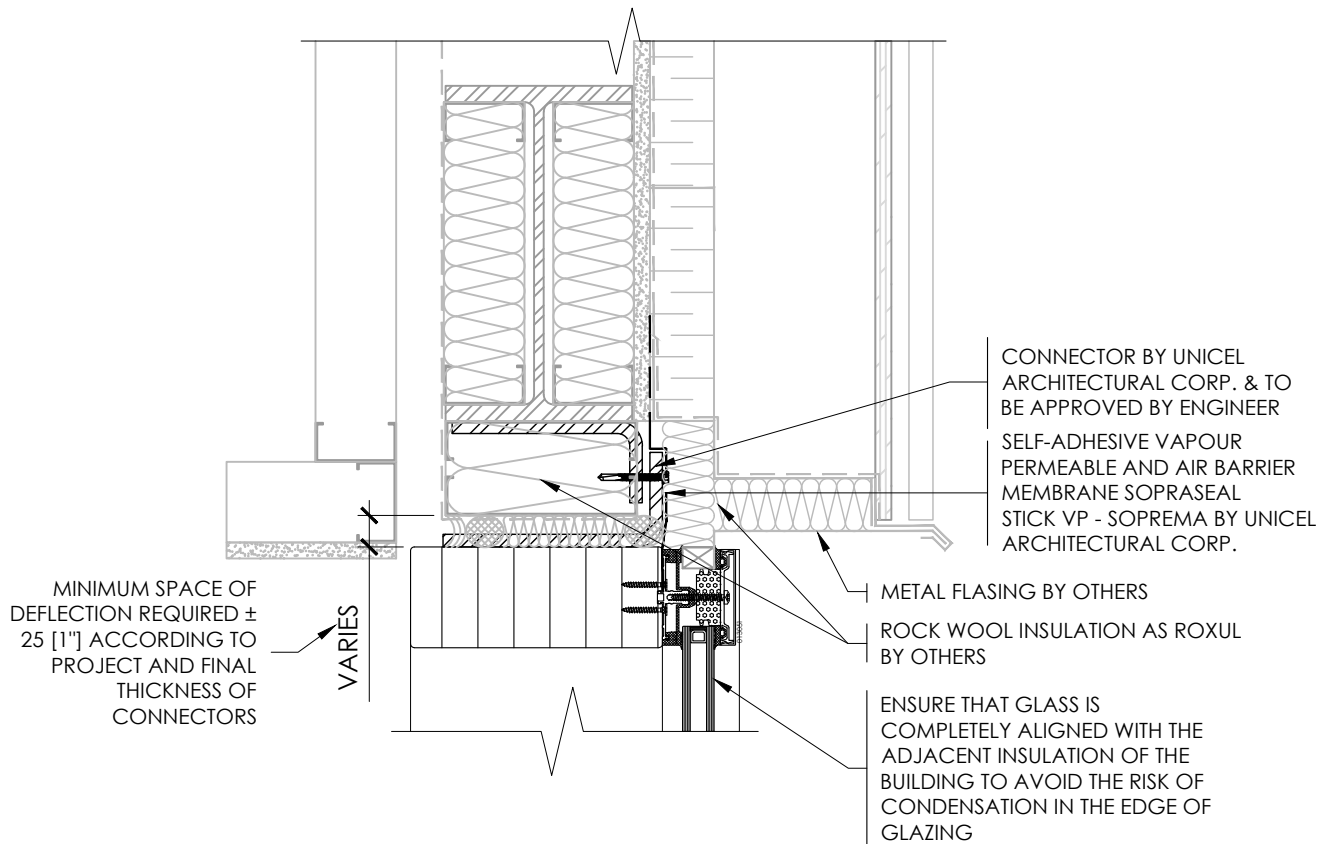
Title :
THERM+ H-I - APPLICATIONS
EXTERIOR CONNECTOR WITH WOOD BEAM

DRAWING BY :
M. LAVOIE

UPDATE :
Nom : J.PAUL-HUS Date : 2021-06-11

Page :

7.1.8



STEEL STRUCTURE DETAIL & CURTAIN WALL



540, Lucien-Thibodeau
Portneuf, Qc. G0A 2Y0
Tel. 1.450.670.6844
Fax. 1.450.670.7144
unicel@unicelarchitectural.com
www.unicelarchitectural.com

DETAILS

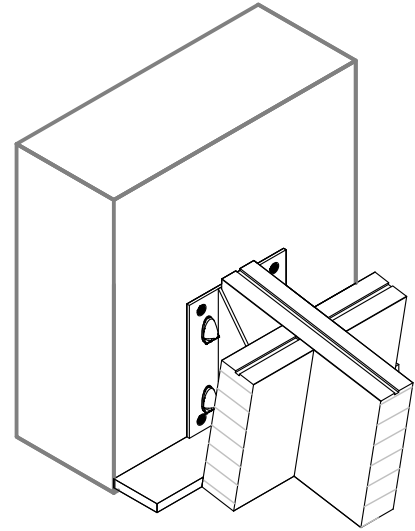
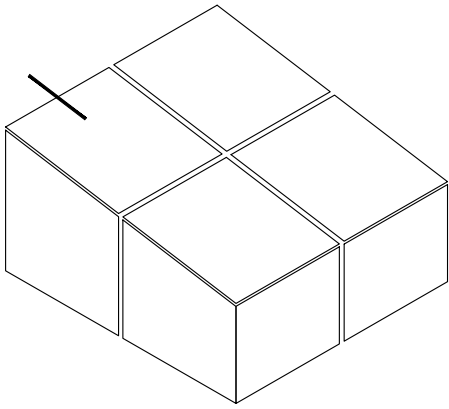
Title :
THERM+ H-I - APPLICATIONS
EXTERIOR CONNECTOR WITH STEEL BEAM

DRAWING BY :
M. LAVOIE

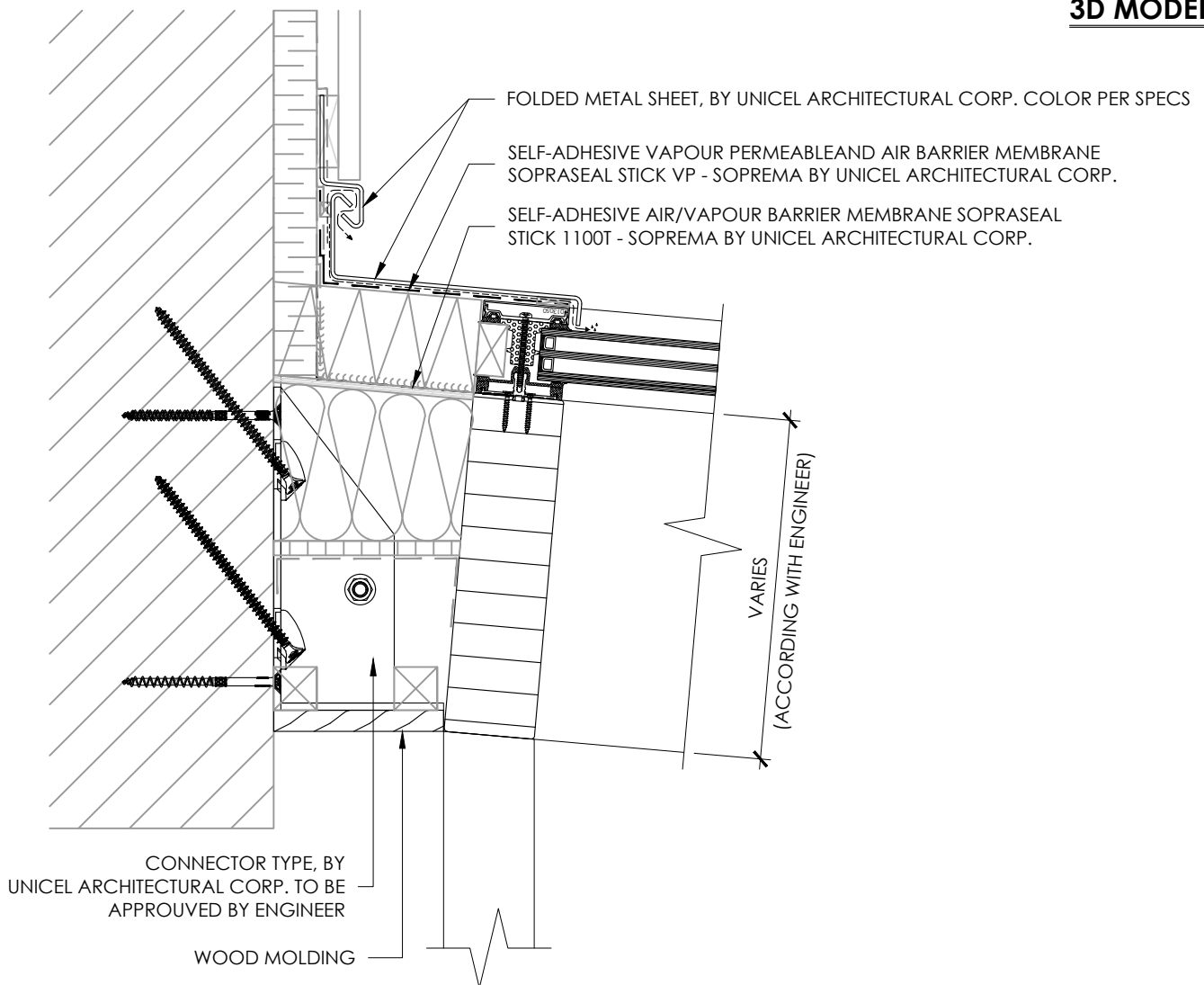
UPDATE :
Nom : J.PAUL-HUS Date : 2021-06-11

Page :

7.1.9



3D MODEL



540, Lucien-Thibodeau
Portneuf, Qc. G0A 2Y0
Tel. 1.450.670.6844
Fax. 1.450.670.7144
unicel@unicelarchitectural.com
www.unicelarchitectural.com

DETAILS

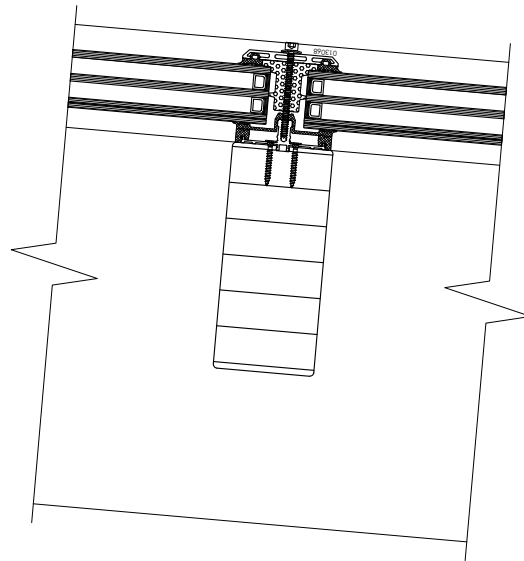
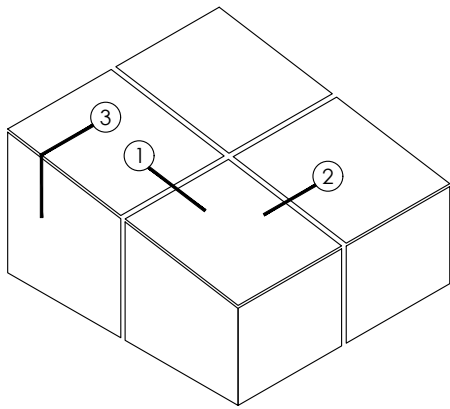
Title :
THERM+ H-I - APPLICATIONS
ROOF RIDGE CONNECTION

DRAWING BY :
M. LAVOIE

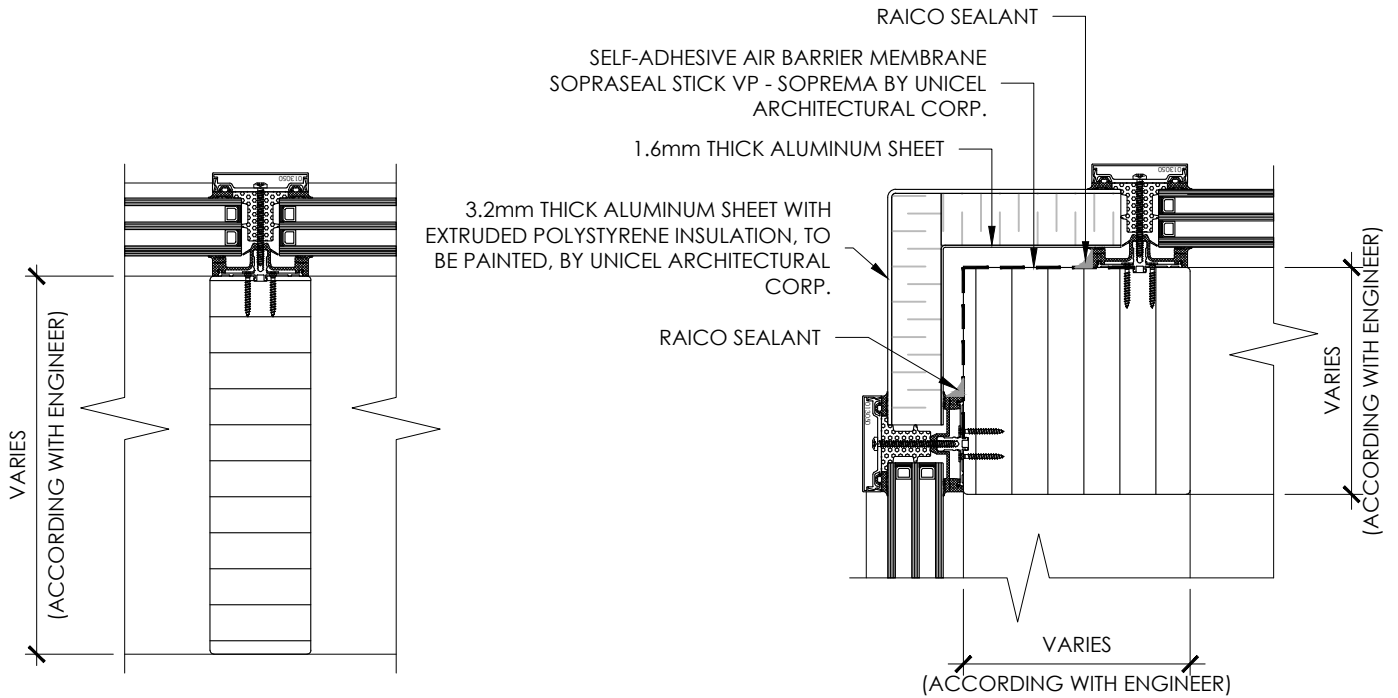
UPDATE :
Nom : J.PAUL-HUS Date : 2021-06-11

Page :

7.2.1



DETAIL 1 - MIDDLE TRANSOM



DETAIL 2 - ROOF RAFTERS

DETAIL 3 - BEAM



540, Lucien-Thibodeau
Portneuf, Qc. G0A 2Y0
Tel. 1.450.670.6844
Fax. 1.450.670.7144
unicel@unicelarchitectural.com
www.unicelarchitectural.com

DETAILS

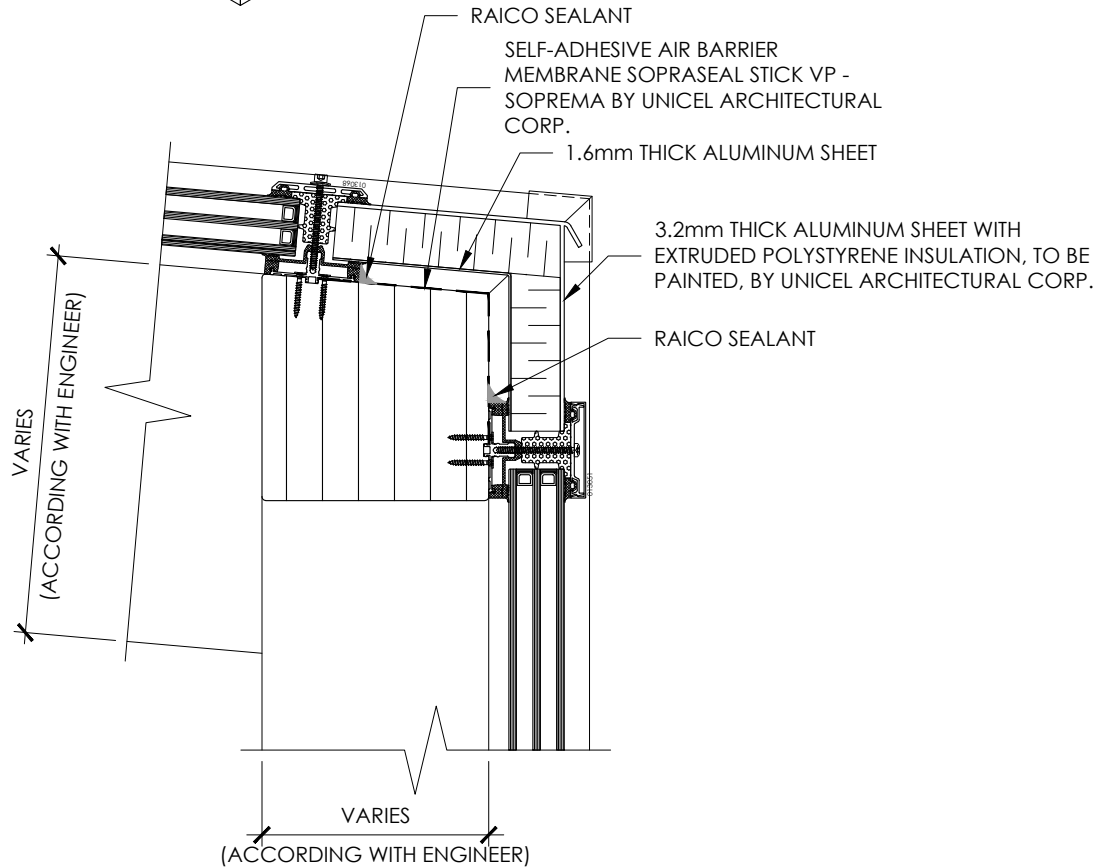
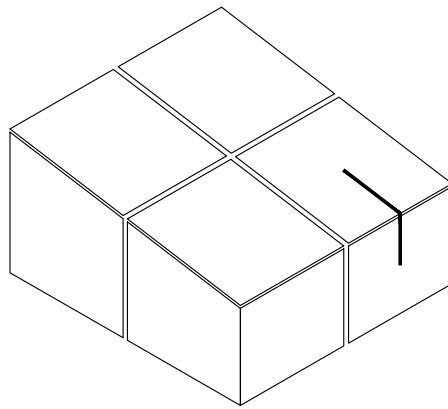
Title :
THERM+ H-I - APPLICATIONS
INTERMEDIATE ROOD CONNECTION

DRAWING BY :
M. LAVOIE

UPDATE :
Nom : J.PAUL-HUS Date : 2021-06-11

Page :

7.2.2



EAVES SECTION DETAIL



540, Lucien-Thibodeau
 Portneuf, Qc, G0A 2Y0
 Tel. 1.450.670.6844
 Fax. 1.450.670.7144
 unichel@unicelarchitectural.com
 www.unicelarchitectural.com

DETAILS

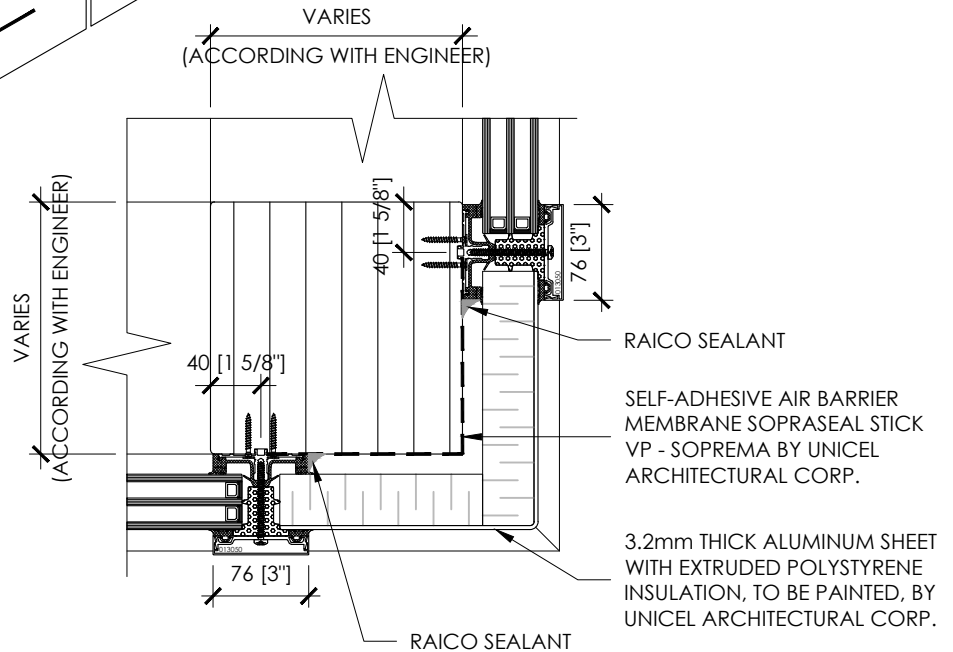
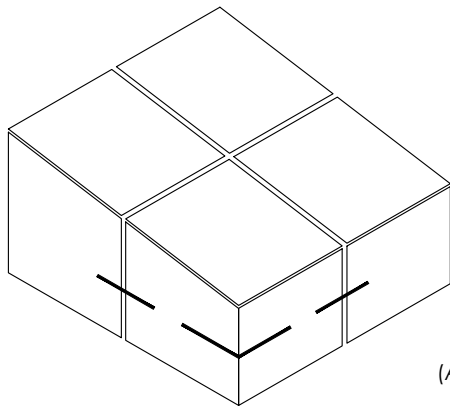
Title :
THERM+ H-I - APPLICATIONS
 EAVE SECTION DETAIL

DRAWING BY :
M. LAVOIE

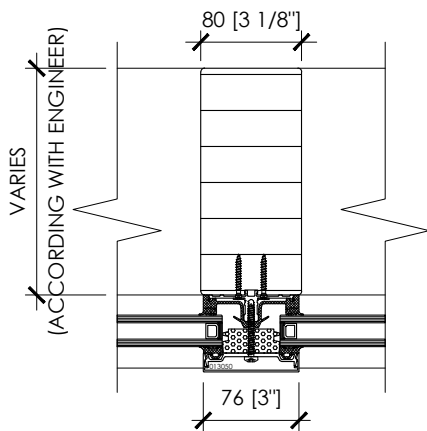
UPDATE :
 Nom : J.PAUL-HUS Date : 2021-06-11

Page :

7.2.3



CORNER DETAIL TYPE



MULLION TYPE



540, Lucien-Thibodeau
Portneuf, Qc. G0A 2Y0
Tel. 1.450.670.6844
Fax. 1.450.670.7144
unicel@unicelarchitectural.com
www.unicelarchitectural.com

DETAILS

Title :
THERM+ H-I - APPLICATIONS
TYPICAL COLUMN & MULLION

DRAWING BY :
M. LAVOIE

UPDATE :
Nom : J.PAUL-HUS Date : 2021-06-11

Page :

7.2.4

CONVENTIONAL METHOD:

(INSIDE VIEW)

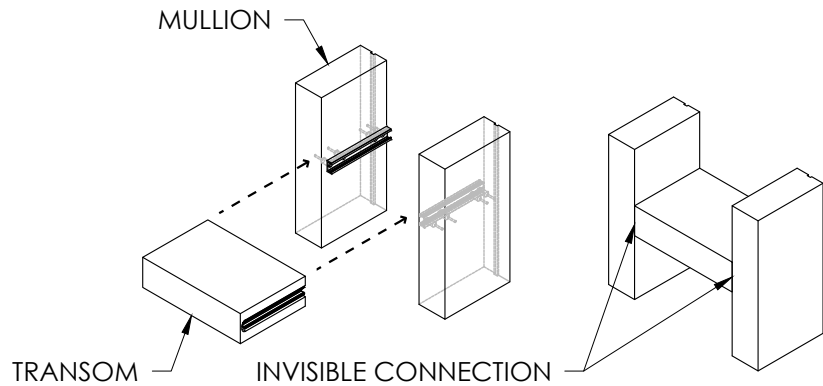


DIAGRAM 1: CONVENTIONAL TRANSOM INSERTION FROM THE INSIDE OF THE BUILDING TO THE OUTSIDE, WITH INVISIBLE MACHINING.

THE CURTAIN WALLS ARRIVES ON SITES IN PRE-ASSEMBLED MODULES, A FACADE CAN HAVE SEVERAL MODULES TO FACILITATE THE TRANSPORT. ONCE ON SITE, THE ASSEMBLY MUST BE FINALIZED BY INSERTING THE CONNECTING TRANSOMS BETWEEN THE SECTIONS. IT MAY OCCUR THAT THEY COME INTO CONFLICT WITH STRUCTURAL ELEMENTS LIKE COLUMNS, BEAMS, WALLS, ETC. UNLIKE THE CONVENTIONAL METHOD, THE TRANSOMS MUST BE INSTALLED FROM THE OUTSIDE OF THE BUILDING. TO ALLOW THIS, THE TRANSOMS CONNECTORS MUST BE MILLED FROM ONE SIDE TO THE OTHER. WOOD BLOCKS HIDE THE CONNECTORS FROM THE INSIDE OF THE BUILDING.

SPECIAL METHOD:

(INSIDE VIEW)

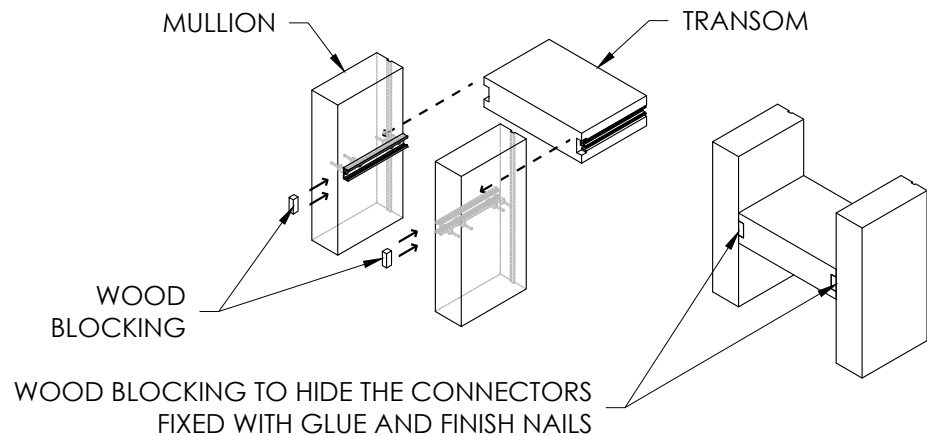


DIAGRAM 2: TRANSOM INSERTION FROM THE OUTSIDE OF THE BUILDING TO THE INSIDE, WITH VISIBLE MACHINING.



540, Lucien-Thibodeau
Portneuf, Qc, G0A 2Y0
Tel. 1.450.670.6844
Fax. 1.450.670.7144
unicel@unicelarchitectural.com
www.unicelarchitectural.com

DETAILS

Title :
TRANSOM INSERTION
INSERTION METHOD

DRAWING BY :
M. LAVOIE

UPDATE :
Nom : J.PAUL-HUS Date : 2021-06-11

Page :

8.1