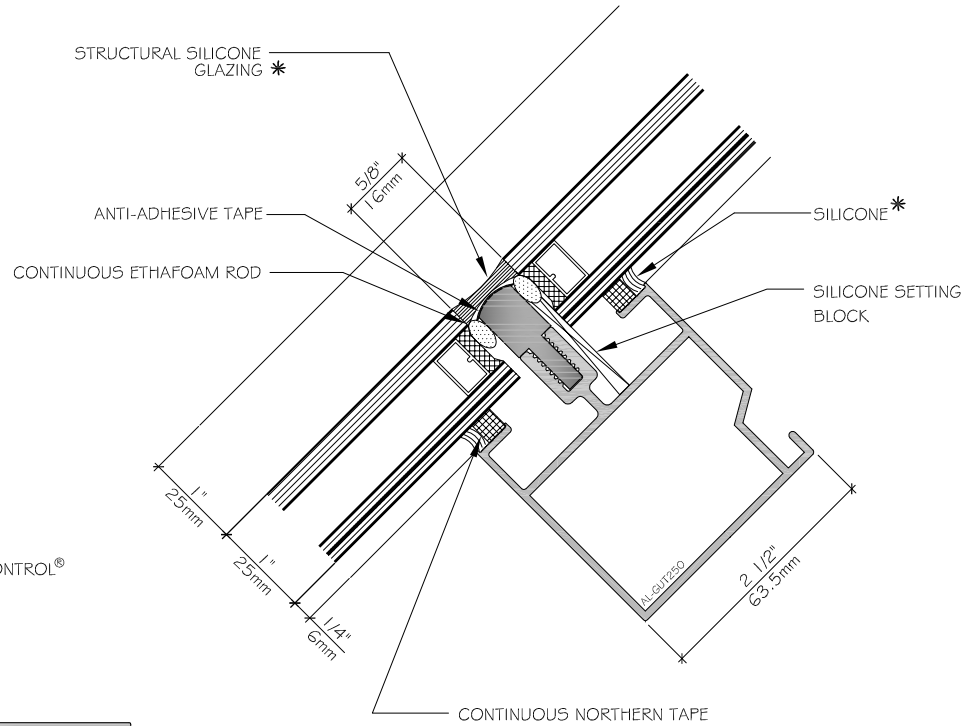
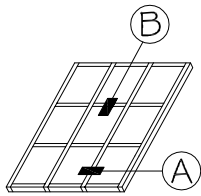




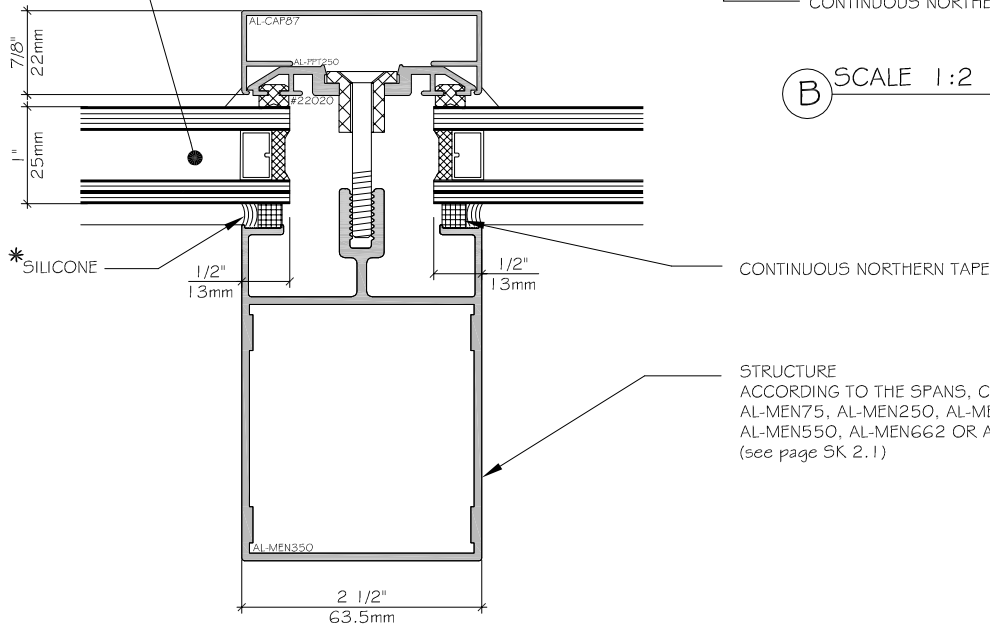
Manufacturer of products



SILICONE GLAZING



GLAZING
SINGLE, DOUBLE, TRIPLE OR VISION CONTROL®
(1/8" to 3" - 3mm to 76mm)



(B) SCALE 1:2

(A) SCALE 1:2

* Silicone must be U.V. resistant and be applied generously; for more information, please consult your supplier.

Unicel Architectural

T: 1.450.670.6844 • 800.668.1580
F: 1.450.670.7144 • 866.496.2628

2155 Fernand Lafontaine Blvd.
Longueuil, Québec
J4G 2J4 Canada
www.unicelarchitectural.com

REVISION
09-2008

SK 3.9